

IP-SEA, IP-SEST, IP-FEST, IP-SEC, IP-FEC

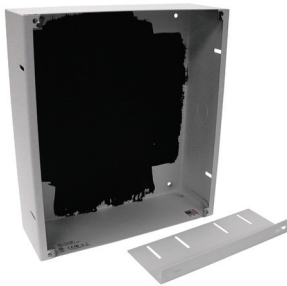
Enclosures for IP Speakers and Visual Displays



IP-SEA Series



IP-SEST Series



IP-FEST Series



IP-SEC-DM

IP-SEST-SNK

Straight surface mount enclosure is designed for use only with AtlasIED loudspeaker system models I8S and I8SM. The unit provides an architecturally pleasing appearance with crisp lines that blend well with most building interiors. There are no knockout holes to provide extra security. The enclosure is constructed of 20-gauge CRS and finished in textured white epoxy.

IP-FEST-S

Flush mount enclosure is designed for use only with AtlasIED loudspeaker system models IP-8SM, IP-SM, and IP-SM-72. The unit includes a slot style mounting system to accommodate almost any material thickness. The enclosure is constructed of 20-gauge CRS and finished in reclaimed powder coat finish.

IP-SEA-SD

Slanted surface mount enclosure is designed for use only with AtlasIED loudspeaker system models IP-8SCMF, IP-SM, IP-SM-72, IP-SDM, IP-SDM-72, IP-SDMF, IP-SDMF-72, IP-SDH, IP-SDM, and IP-SDMFLED. The slope front design allows for directional sound dispersion. The enclosure is constructed of 20-gauge CRS and finished in textured white epoxy.

IP-SEST-SD

Straight surface mount enclosure is designed for use only with AtlasIED loudspeaker system models IP-8SCMF, IP-SM, IP-SM-72, IP-SDM, IP-SDM-72, IP-SDMF, IP-SDMF-72, IP-SDH, IP-SDM, and IP-SDMFLED. The unit provides an architecturally pleasing appearance with crisp lines that blend well with most building interiors. The enclosure is constructed of 20-gauge CRS and finished in reclaimed powder coat finish.

IP-FEST-SD

Flush mount enclosure is designed for use only with AtlasIED loudspeaker system models IP-8SCMF, IP-SM, IP-SM-72, IP-SDM, IP-SDM-72, IP-SDMF, IP-SDMF-72, IP-SDH, IP-SDM, and IP-SDMFLED. The unit includes a slot style mounting system to accommodate most any material thickness. The enclosure is constructed of 20-gauge CRS and finished in textured white epoxy.

IP-SEST-HVP

Straight surface mount stainless steel enclosure is designed for use only with AtlasIED loudspeaker system model IP-HVP. The enclosure is constructed of 18-gauge stainless steel and finished in textured white epoxy.

IP-FEST-HVP

Flush mount stainless steel enclosure is designed for use only with AtlasIED loudspeaker system model IP-HVP. External mounting wings allow for easy installation into stud material. The enclosure is constructed of 18-gauge stainless steel.

IP-SEC-DM

Straight surface mount enclosure is designed for use only with AtlasIED IP enabled display model IP-DM. The enclosure is constructed of 20-gauge CRS and finished in textured white epoxy.

IP-FEC-DM

Flush mount enclosure is designed for use only with AtlasIED IP enabled display model IP-DM. The enclosure is constructed of 20-gauge CRS and has a reclaimed powder coat finish.

Features

- Enclosures Specifically Designed for Optimum Performance and Installation Ease with AtlasIED IP Compliant Loudspeaker Systems and visual Displays
- Choice of Surface Mount (Straight or Slant Front Styling) or Flush Mount Models

Applications

Install AtlasIED IP loudspeaker enclosures wherever requirements call for model IP-8SM, IP-8SCMF, IP-SM, IP-SM-72, IP-SDM, IP-SDM-72, IP-SDMF, IP-SDMF-72, IP-SDH, IP-SDM, IP-SDMFLED, IP-HVP, or IP-DM loudspeaker, baffle, and PCB amplifier control board systems. Units are particularly suited for use in classrooms, cafeterias, convention, and medical facilities.

General Description

IP-SEA-S

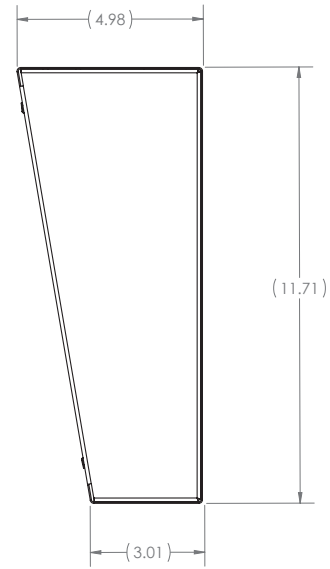
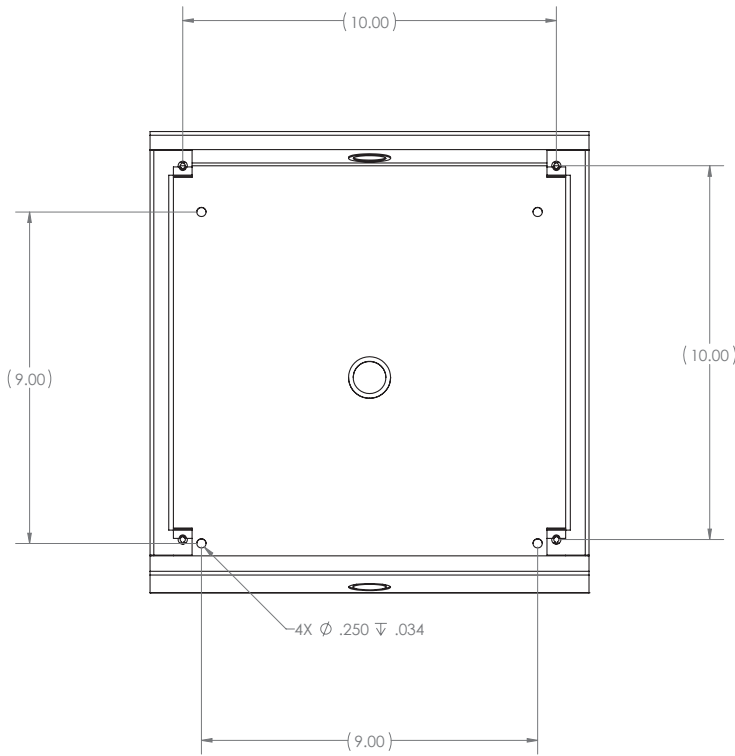
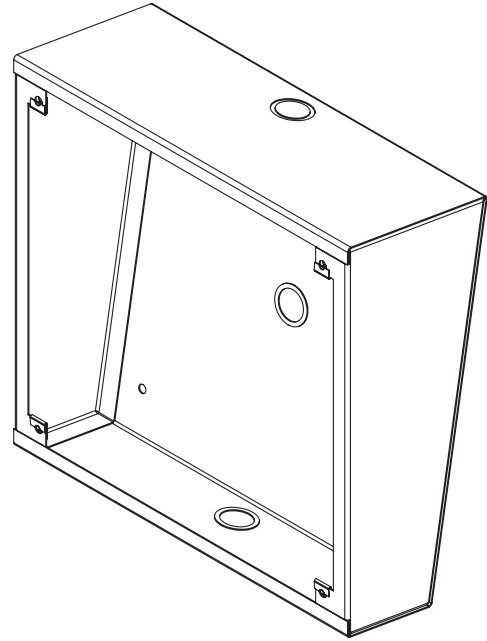
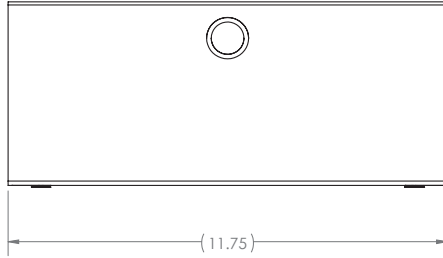
Slanted surface mount enclosure is designed for use only with AtlasIED loudspeaker system model IP-8SM. The slope front design allows for directional sound dispersion. The enclosure is constructed of 20-gauge CRS and finished in textured white epoxy.

IP-SEST-S

Straight surface mount enclosure is designed for use only with AtlasIED loudspeaker system model IP-8SM. The unit provides an architecturally pleasing appearance with crisp lines that blend well with most building interiors. The enclosure is constructed of 20-gauge CRS and finished in textured white epoxy.

Dimensional Drawings

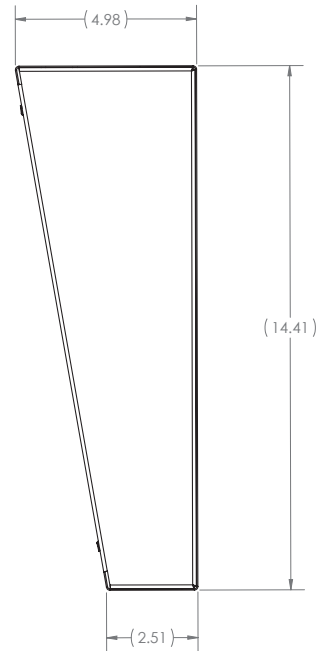
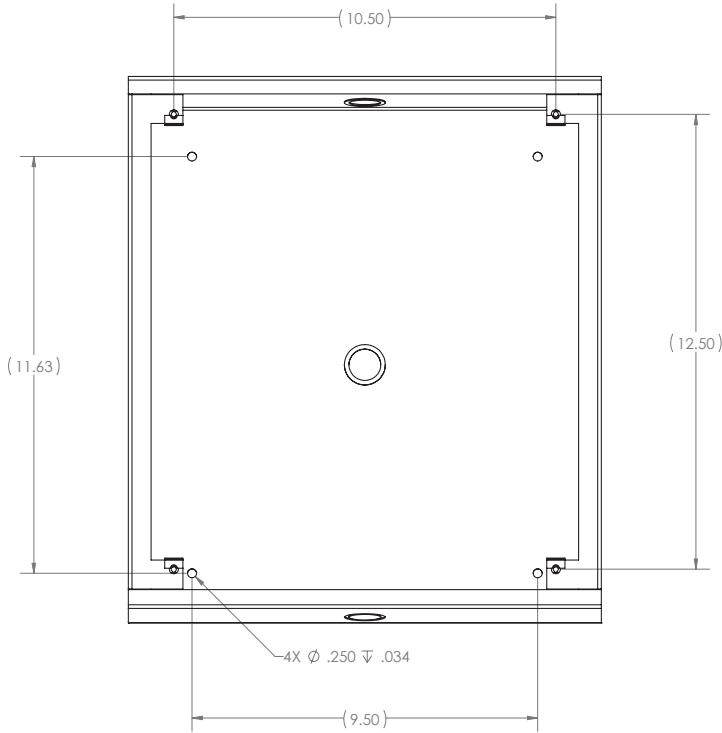
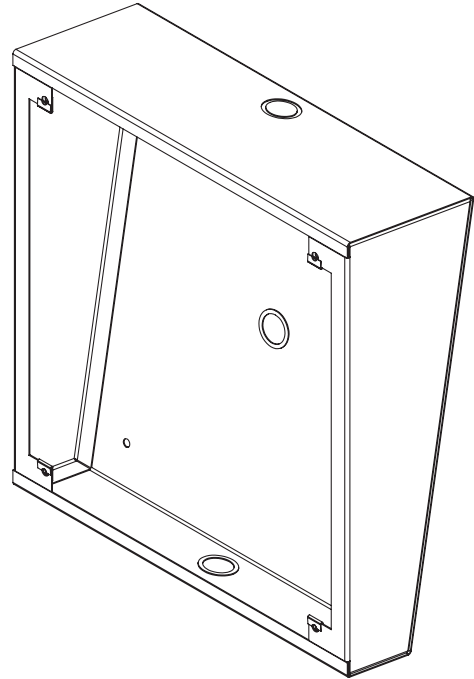
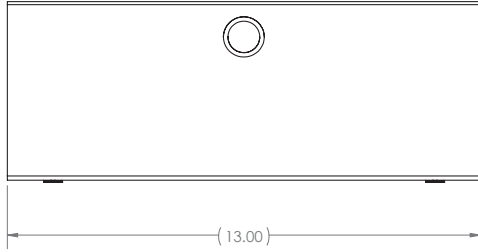
IP-SEA-S



©2019 Atlas Sound LP. The Atlas "Circle A", Soundier, and Atlas Sound are trademarks of Atlas Sound L.P. IED is a Registered Trademark of Innovative Electronic Designs LLC. All rights reserved. All other Trademarks are property of their respective owners. No endorsement is implied. Due to continual product development, specifications are subject to change without notice. ATSO05913 RevA 1/19

Dimensional Drawings

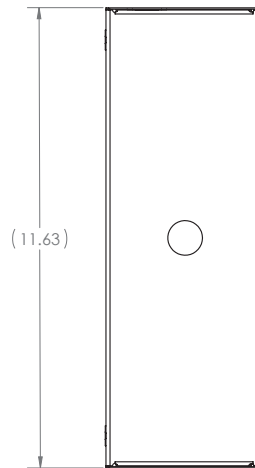
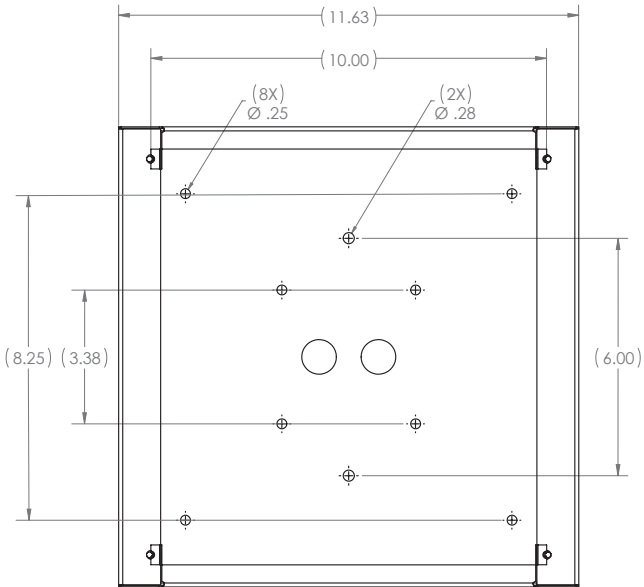
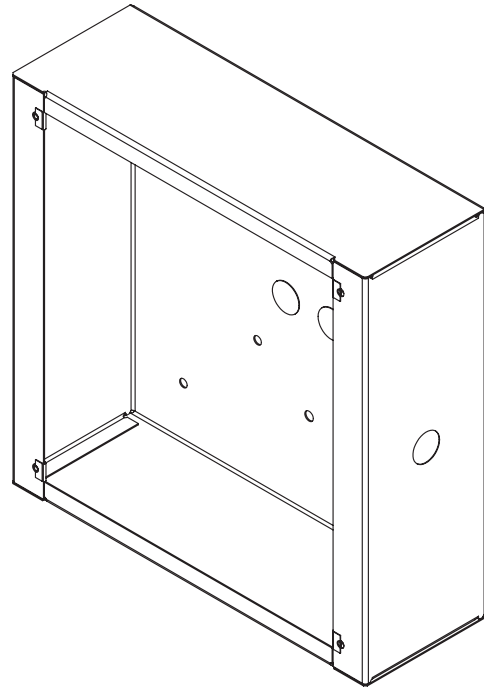
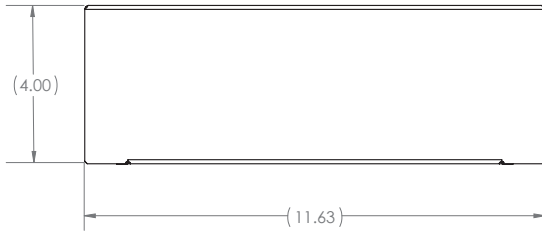
IP-SEA-SD



©2019 Atlas Sound LP. The Atlas "Circle A", Soundlier, and Atlas Sound are trademarks of Atlas Sound L.P. IED is a Registered Trademark of Innovative Electronic Designs LLC. All rights reserved. All other Trademarks are property of their respective owners. No endorsement is implied. Due to continual product development, specifications are subject to change without notice. ATSO05913 RevA 1/19

Dimensional Drawings

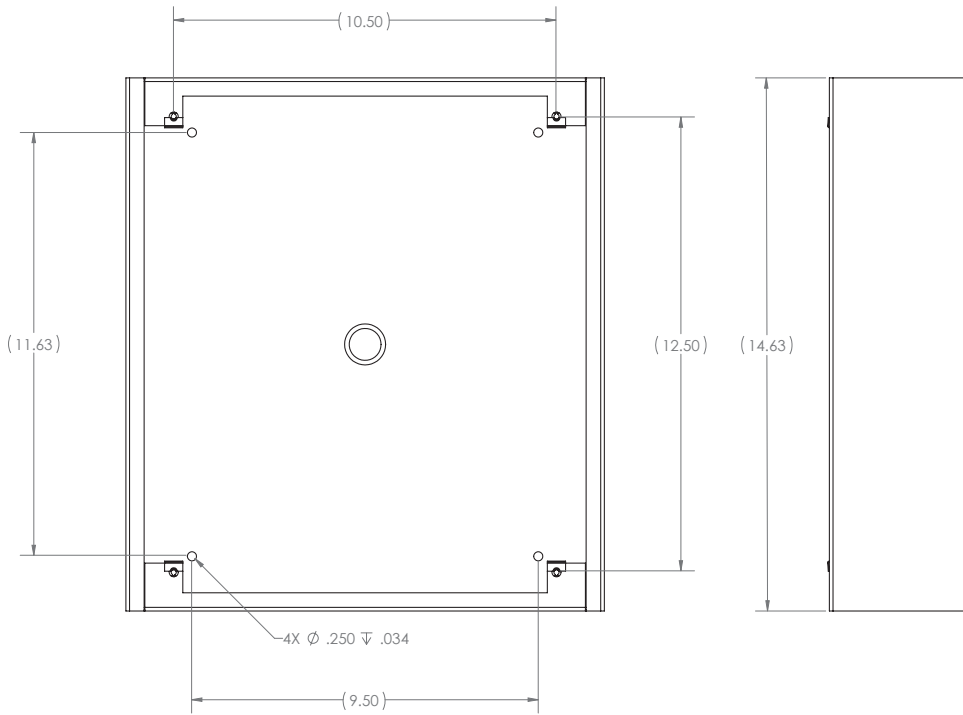
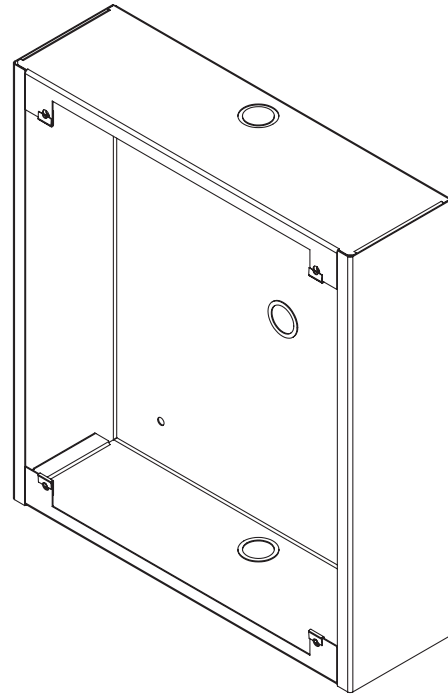
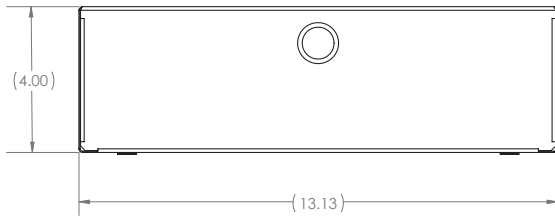
IP-SEST-S



©2019 Atlas Sound LP. The Atlas "Circle A", Soundlier, and Atlas Sound are trademarks of Atlas Sound L.P. IED is a Registered Trademark of Innovative Electronic Designs LLC. All rights reserved. All other Trademarks are property of their respective owners. No endorsement is implied. Due to continual product development, specifications are subject to change without notice. ATSO05913 RevA 1/19

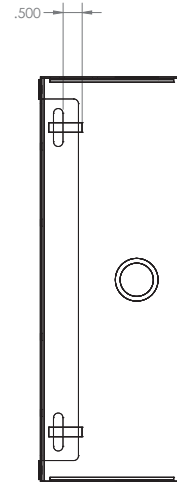
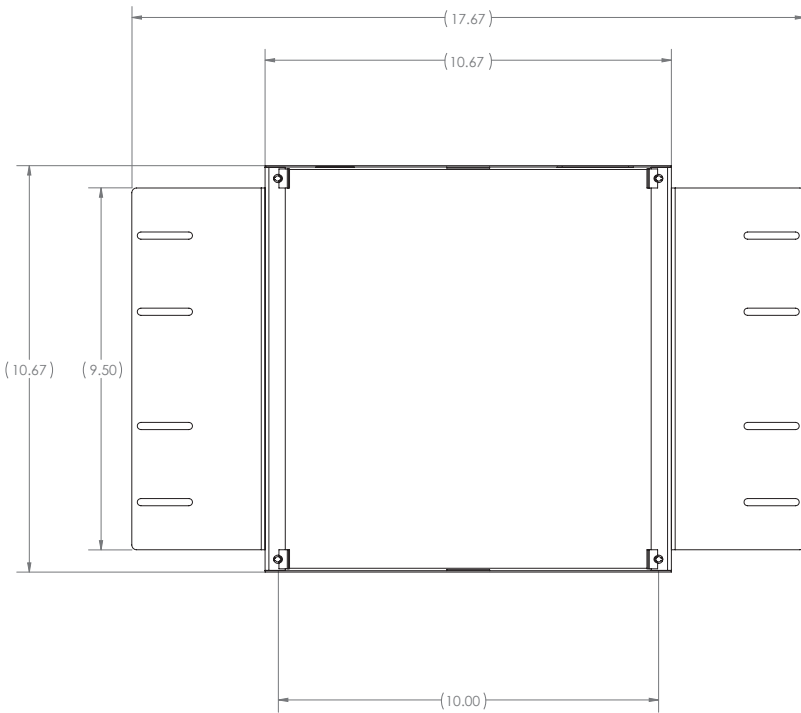
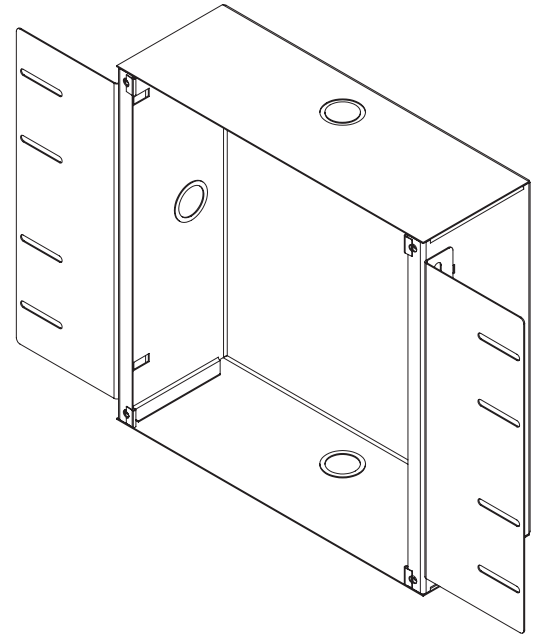
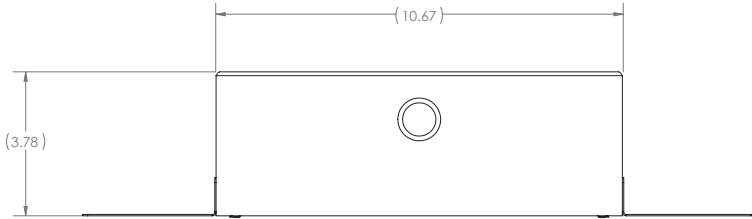
Dimensional Drawings

IP-SEST-SD



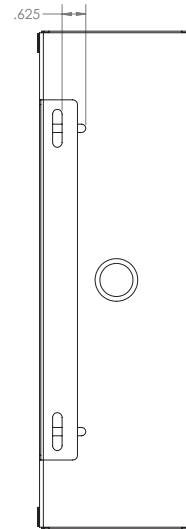
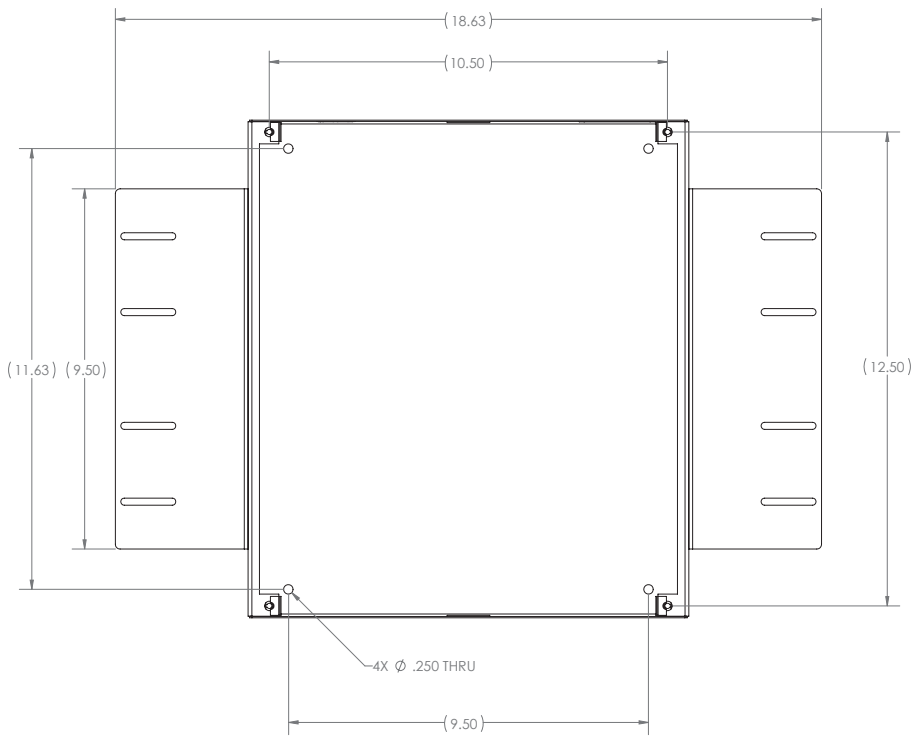
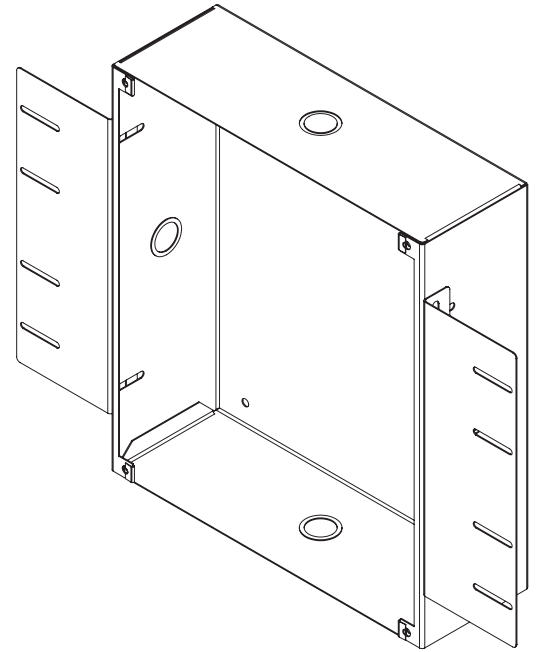
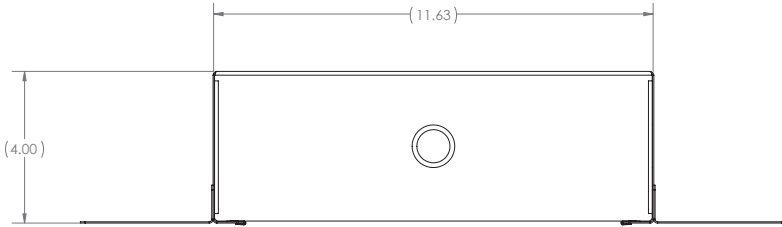
Dimensional Drawings

IP-FEST-S



Dimensional Drawings

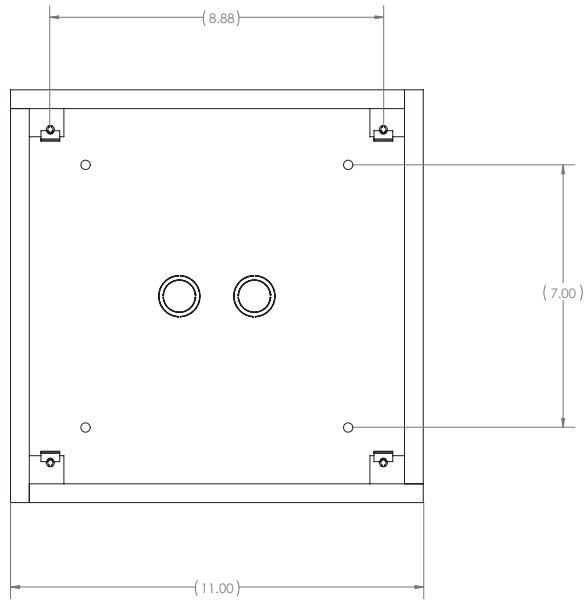
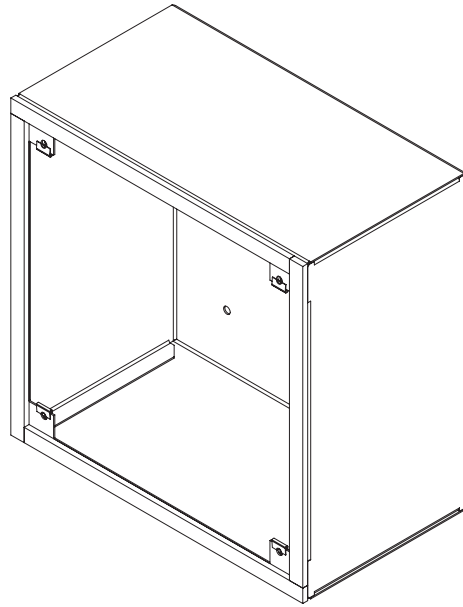
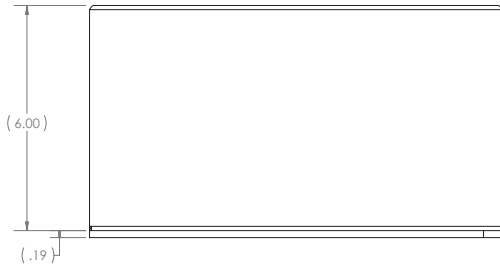
IP-FEST-SD



©2019 Atlas Sound LP. The Atlas "Circle A", Soundlier, and Atlas Sound are trademarks of Atlas Sound L.P. IED is a Registered Trademark of Innovative Electronic Designs LLC. All rights reserved. All other Trademarks are property of their respective owners. No endorsement is implied. Due to continual product development, specifications are subject to change without notice. ATSO05913 RevA 1/19

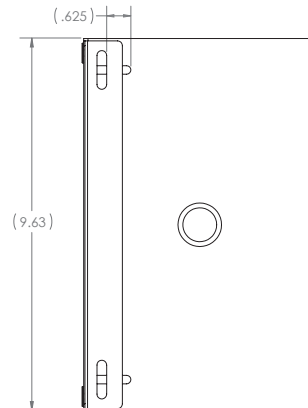
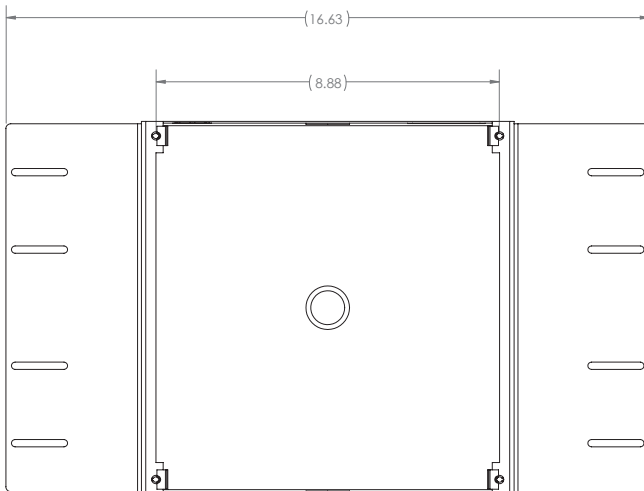
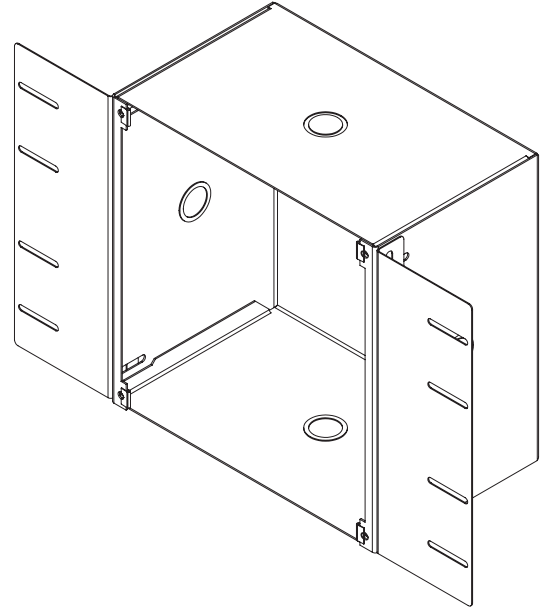
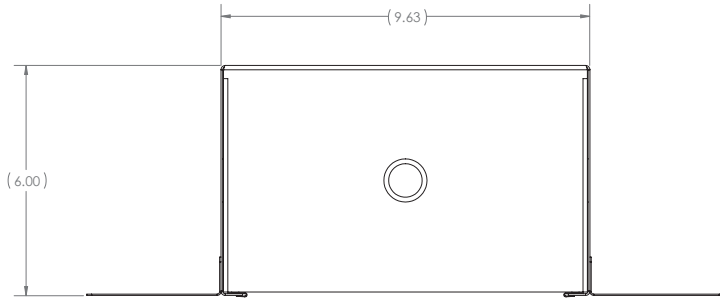
Dimensional Drawings

IP-SEST-HVP



Dimensional Drawings

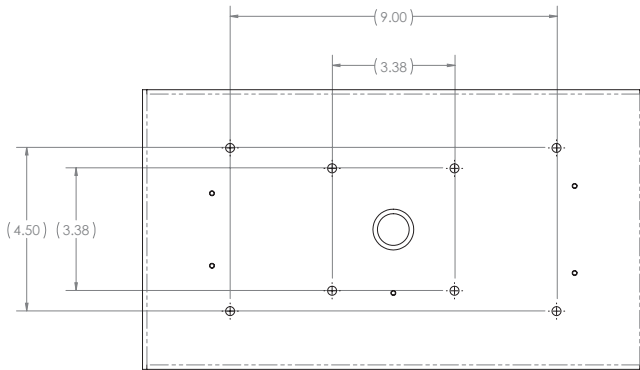
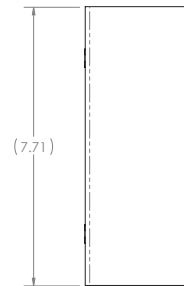
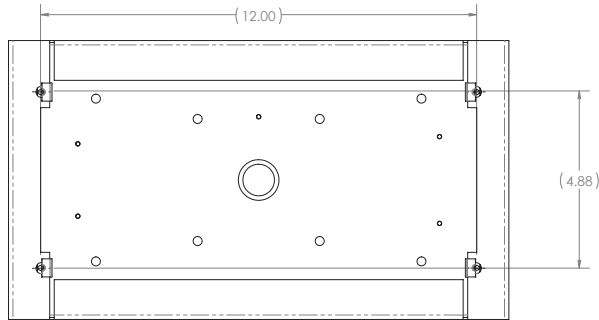
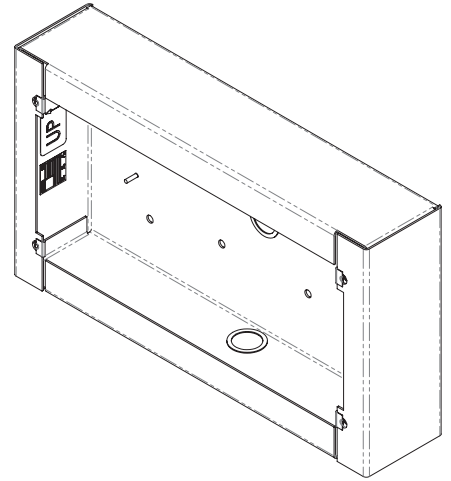
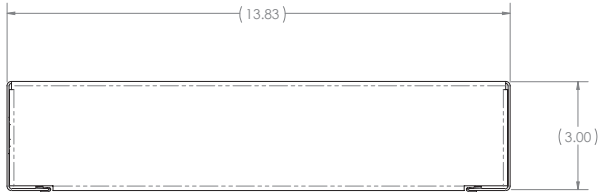
IP-FEST-HVP



©2019 Atlas Sound LP. The Atlas "Circle A", Soundlier, and Atlas Sound are trademarks of Atlas Sound L.P. IED is a Registered Trademark of Innovative Electronic Designs LLC. All rights reserved. All other Trademarks are property of their respective owners. No endorsement is implied. Due to continual product development, specifications are subject to change without notice. ATSO05913 RevA 1/19

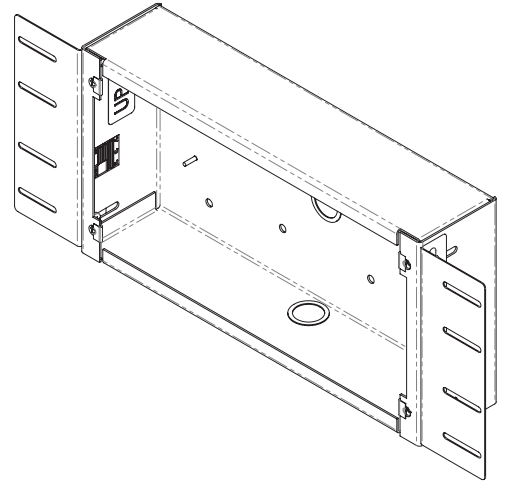
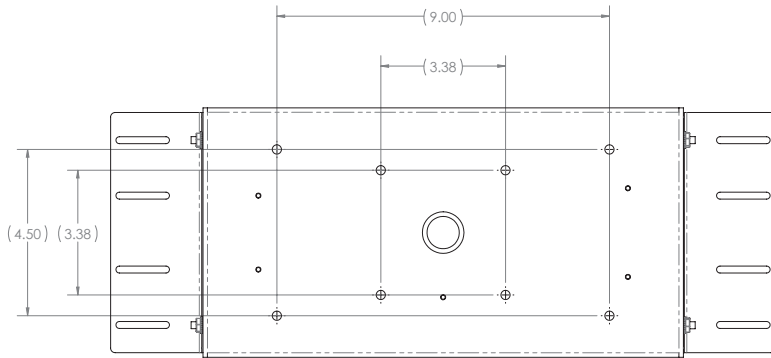
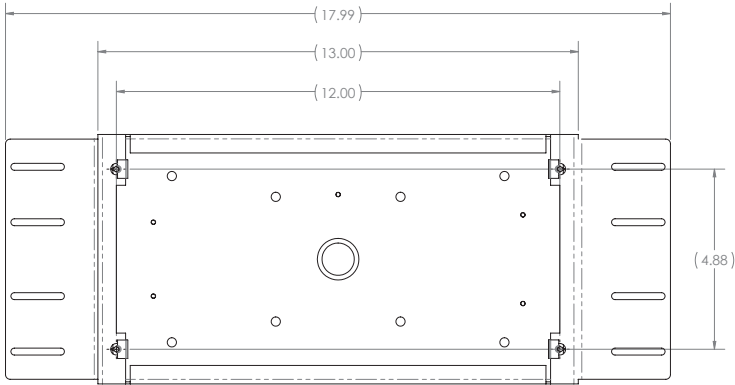
Dimensional Drawings

IP-SEC-DM



Dimensional Drawings

IP-FEC-DM



Architect and Engineer Specifications

The metal enclosure shall be AtlasIED Model _____ or approved equal designed specifically to match with AtlasIED loudspeaker baffle package _____. Enclosure shall be of welded 20-gauge CRS or 18-gauge stainless steel construction as specified.