



# AP-S15RTHR AC Power Conditioner & Distribution Unit



1601 Jack McKay Blvd. • Ennis, Texas 75119 U.S.A.  
Telephone: 800.876.3333 • Fax: 800.765.3435



**Table of Contents**

Important Safety Instructions ..... 3

Introduction ..... 5

Key Features and Applications ..... 6

Front Panel Description ..... 7

Rear Panel Description ..... 8

Installation ..... 8

Remote Activation Drawing ..... 9

AC Power Cord Retainer System ..... 9

Specifications ..... 10

Warranty ..... 12





### Important Safety Instructions



The lightning flash with arrowhead symbol within an equilateral triangle, is intended to alert the user to the presence of uninsulated "dangerous voltage" within the product's enclosure that may be of sufficient magnitude to constitute a risk of electric shock to persons.



The exclamation point within an equilateral triangle is intended to alert the user to the presence of important operating and maintenance (servicing) instructions in the literature accompanying the product.



1. Read these instructions.
2. Keep these instructions.
3. Heed all warnings.
4. Follow all instructions.
5. Do not use this device near water.
6. Clean only with dry cloth.
7. Do not block any ventilation openings. Install in accordance with the manufacturer's instructions.
8. Do not install near any heat sources such as radiators, heat registers, stoves, or other device (including amplifiers) that produce heat.
9. Do not defeat the safety purpose of the polarized or grounding-type plug. A polarized plug has two blades with one wider than the other. A grounding type plug has two blades and a third grounding prong. The wide blade or the third prong are provided for your safety. If the provided plug does not fit into your outlet, consult an electrician for replacement of the obsolete outlet.
10. Protect the power cord from being walked on or pinched particularly at plugs, convenience receptacles, and the point where they exit from the device.
11. Only use attachments/accessories specified by the manufacturer.
12. Use only with the cart, stand, tripod, bracket, or table specified by the manufacturer, or sold with the device. When a cart is used, use caution when moving the cart/device combination to avoid injury from tip-over.
13. Unplug this device during lightning storms or when unused for long periods of time.
14. Refer all servicing to qualified service personnel. Servicing is required when the device has been damaged in any way, such as power-supply cord or plug is damaged, liquid has been spilled, or objects have fallen into the device, the device has been exposed to rain or moisture, does not operate normally, or has been dropped.
15. **WARNING:** To reduce the risk of fire or electric shock, this device should not be exposed to rain or moisture and objects filled with liquids, such as a vase, should not be placed on this device.
16. To completely disconnect this equipment from the mains, disconnect the power supply cord plug from the receptacle.
17. The mains plug of the power supply cord shall remain readily operable.



1601 Jack McKay Blvd. • Ennis, Texas 75119 U.S.A.  
Telephone: 800.876.3333 • Fax: 800.765.3435



**WARNING When The Device Is In Use**

- To prevent electric shock, do not remove the product cover as there are high voltage components inside. Refer all servicing to Atlas Sound.
- Should any of the following irregularities occur during use, immediately switch off the power, disconnect the power cord from the AC outlet and contact Atlas Sound. Do not attempt to continue operation with the product as this may cause fire or electric shock:
  - Smoke or strange smell coming from the unit.
  - If the product falls or the case is damaged.
  - If water or any metallic objects falls into the product.
  - If the power supply cord is damaged in any way.
  - If the unit is malfunctioning.
- Do not insert or drop metallic objects or flammable materials into the ventilation holes of the product's cover, as this may result in electric shock or fire.
- Do not place any containers with liquid or metallic objects on the top of the product. If any liquid spills into the unit, fire or electric shock may result.
- Never operate this product or touch the power supply cord during an electrical storm, electric shock may result.
- Never exceed the power rating on the product when connecting equipment. Fire and/or property damage may result.
- Operate the product only with the voltage specified on the unit. Fire and/or electric shock may result if a higher voltage is used.
- Do not modify, kink, or cut the power cord. Do not place the power cord in close proximity to heaters and do not place heavy objects on the power cord, including the product itself, doing so may result in fire or electrical shock.
- Replace the protective cover over the speaker terminals after installation.
- Ensure that the safety ground terminal is connected to a proper ground. Never connect the ground to a gas pipe as a catastrophic disaster may result.
- Be sure the installation of the product is stable, avoid slanted surfaces as the product may fall and cause injury or property damage.



**CAUTION When Installing The Product**

- Plugging in or unplugging the power cord with wet hands may result in electric shock.
- Never move the unit with the power cord plugged into the wall, as damage to the power cord may result.
- When unplugging the cord from the wall, grasp the plug, NOT the cord.
- Never install this product in humid or dusty locations, nor in direct sunlight, near sources of heat, or in areas where sooty smoke or steam are present. Fire and electric shock may result.
- Keep all sides of the unit at least 3<sup>1</sup>/<sub>2</sub>" away from objects that may obstruct air flow to prevent the unit's internal temperature rise.



**CAUTION When The Product Is In Use**

- Never place heavy objects on the product, causing it to fall and/or break, resulting in personal injury and property damage. In addition, the product itself may fall and cause injury and property damage.
- Contact Atlas Sound for instructions on cleaning the inside of the unit. Large accumulations of dust inside the unit may result in heat buildup and fire.
- Ensure that the power supply plug is securely plugged into the wall outlet. Never allow dust to accumulate on the power plug or inside the wall outlet.
- When cleaning the unit or the unit is not to be operated for an extended period, unplug the power cord from the wall.





### Introduction

Thank you for purchasing the Atlas Power AP-S15RTHR AC Distribution and Suppressor Unit. The AP-S15RTHR has been designed to fit into Atlas half width equipment racks. The AP-S15RTHR meets or exceeds most installation requirements for AC power distribution and equipment power protection.

The AP-S15RTHR design offers power management control, remote activation, 24VDC 2000mA output, noise filtering, AC ground fault indication, and six AC outlets making it the most compact, cost effective power management protection system on the market today.

The AP-S15RTHR features noise filtering for unwanted Radio Frequency Interference (RFI) that is commonly introduced into AC lines by nearby radio transmitters or wireless products. EMI filters are incorporated to reduce noise and Electromagnetic Interference (EMI) from such items as electric motors and external switching power supplies. The benefit of these filters can be seen on video products and heard audibly by reduced static pops and external signal interference.

The AP-S15RTHR can be remotely activated by using dry contact closure or via a 5V – 24VDC voltage. Either method can be triggered by using one of the optional Atlas WPD wall plate switches that feature a custom label area and remote status LED.

The AP-S15RTHR also features a 24VDC 2000mA DC output that works in conjunction with the switched AC Outlets. This 24VDC output provides enough current to power several Time Saving Device (TSD) preamps, mixers or amplifiers reducing or eliminating the need for external DC power supplies.

For fire alarm requirements an Emergency Power Down function or EPD can also be created by using the Remote Activation feature by simply keeping the Remote Activation contact closed until a condition occurs that requires a system shut down. When the contacts are opened, it will remove power from the switched outlets.

The AP-S15RTHR is unique by allowing you to select the power cord length that is required for the installation. A removable 12' IEC power cord with a retainer bracket is supplied with the unit. If needed, a shorter or longer cord can be purchased separately to meet installation requirements.

The AP-S15RTHR is designed to be mounted in a half width rack, but can also be rack mounted into 19" equipment racks by using the optional PA702RMK kit. This kit allows you mount an AP-S15RTHR by itself or in conjunction with another Atlas half width rack product such as the DPA-102PM, PA40G/PA60G, or MA40G/MA60G in a 19" 1RU space.



1601 Jack McKay Blvd. • Ennis, Texas 75119 U.S.A.  
Telephone: 800.876.3333 • Fax: 800.765.3435



## Key Features

- Half Width Rack Design 8.9" Wide with Removable Rack Ears
- Circuit Breaker Protection @ 15A
- 6 Total Outlets
  - 4 Rear Panel Switched Outlets
  - 1 Rear Panel Unswitched Outlet
  - 1 Front Panel Unswitched Convenience Outlet
- Removable IEC Power Cord with a Retainer Bracket
- Remote Activation via Latched Dry Contact Closure or DC Voltage or EPD (Emergency Power Down) to Integrate with Fire Control Panels
- Remote Status LED Power Terminals
- RFI Noise Filtering to Reduce Radio Frequency Interference
- EMI Filtering to Reduce Electromagnetic Interference
- Service Required Indicator
- Earth Ground Fault Connection Indicator
- Power Switch Cover
- 24VDC 2000mA DC Output

## Applications

The flexible AP-S15RTHR was designed with features to be used in a variety of applications. The AP-S15RTHR can be used solely for AC distribution. The AP-S15RTHR can also be used for power conditioning to eliminate or reduce fuzzy video or audible static pops. The following are just a few examples of applications where the AP-S15RTHR can be used:

- Restaurants
- Houses of Worship
- Schools
- Theaters
- Office Buildings
- Sports Bars





Front Panel Description



**1. Unswitched AC Outlet**

The 120VAC outlet is always live when the AP-S15RTHR power cord is plugged into an AC mains power source **Note:** The AC mains power switch does not affect the Unswitched AC Outlet.

**2. AC Mains Breaker**

The 15A rated breaker will open if the combined draw of all AC outlets exceeds 15A. **Note:** The breaker is designed to exceed its rating for a short period of time. If the breaker is tripped, the load must first be removed from the AP-S15RTHR before pushing to reset.

**3. Power Switch & Cover**

To turn the AP-S15RTHR On or Off, press the switch to the On or Off position. (See rear panel Remote Bypass Switch) When in the On position and AC voltage is present the power switch will illuminate. **Note:** This does not mean the switched AC outlets are active. For the switched AC outlets to be active, the remote turn on terminals need to be shorted. If the switched outlets are active the outlet active blue LED will be illuminated. The AP-S15RTHR comes prewired with these terminals shorted. The AP-S15RTHR incorporates a power switch cover to prevent an accidental pressing of the power switch.

**4. Switched Outlets Active Indicator**

This LED will illuminate Blue when the AC Mains power switch is in the On position and the remote turn on terminals are shorted.

**5. Service Required Indicator**

If Illuminating RED, contact Atlas Customer Service before continuing use of the product.

**6. Ground Fault Indicator**

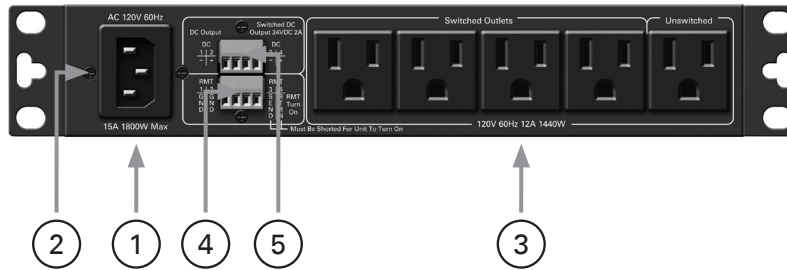
This LED will **NOT** illuminate Green when the AP-S15RTHR has Earth ground connection on the Earth ground pin of the AC Mains power cord. **Note:** If there is no Earth ground connection the LED will illuminate and the AC wall outlet must be repaired by a qualified electrician before continuing.



1601 Jack McKay Blvd. • Ennis, Texas 75119 U.S.A.  
Telephone: 800.876.3333 • Fax: 800.765.3435



## Rear Panel Features Description



### 1. AC Mains Input

Connect the IEC 14 Gauge 12' (4m) power cord to a 15A 120VAC outlet to provide power to the AP-S15RTHR.

### 2. AC Mains Input IEC Power Cord Retainer

The AP-S15RTHR incorporates an IEC Power Cord retainer bracket to prevent the cord from coming loose. See IEC power cord retainer bracket installation.

### 3. AC Power Outlets

The AP-S15RTHR features six NEMA 5-15P AC outlets. There is one Unswitched outlet on the front and one on the rear of the unit. There are four Switched AC outlets on the rear of the unit for a total of six AC outlets. These four Switched AC outlets are "Live" when the front panel power switch is in the On position and the Remote Turn On terminals are shorted. The two Unswitched outlets are always live if the power cord is connected to 120VAC.

### 4. Remote Activation

There are two methods to remotely activate the AP-S15RTHR:

**A. External Switch** - The Ext SW terminals are connected to a latching type dry contact closure to activate the AP-S15RTHR.

**Note:** This feature can be used for Emergency Power Down (EPD), when tied into a normally closed latching contact closure (e.g. Fire Panel).

**B. DC Voltage** - When you apply 5V - 24VDC to the Return terminal the unit will activate. See "Remote Activation Drawings" for details. It may be required to connect a Ground Pin from the AP-S15RTHR to the DC sending unit.

### 5. DC Voltage Output 24V 2000mA

The AP-S15RTHR features a 24VDC 2000mA output to power external devices. This 24VDC output provides enough current to power several of the Time Saving Device (TSD) preamps, mixers or amplifiers reducing or eliminating the need for external DC power supplies. The DC output works in conjunction with the Switched AC outlets. There two sets of DC - & + connections in parallel for convenience.

## Installation

Before installing, read the entire manual to ensure proper understanding of operation and that all features are being utilized. The AP-S15RTHR can be placed on a shelf or rack mounted in a half width rack or a 19" width rack. When rack mounted, placement within the rack is flexible however the AP-S15RTHR should be within 6' of a dedicated 15A AC outlet. When rack mounting, use rack rail type screws of <sup>10</sup>/<sub>32</sub>" x 1". Always make sure the 15A outlet is properly inspected by a certified electrician prior to connecting the AP-S15RTHR. Make sure to inspect the equipment that will be connected to the AP-S15RTHR to ensure it does not exceed 15A total amperage draw.

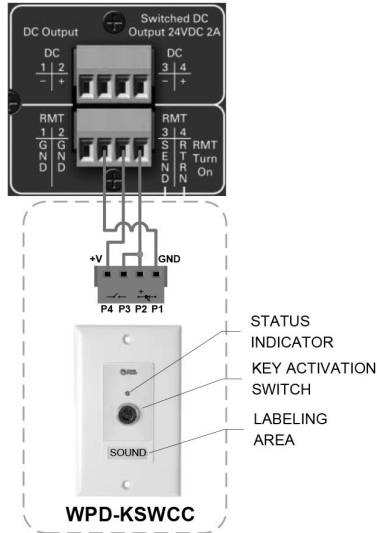




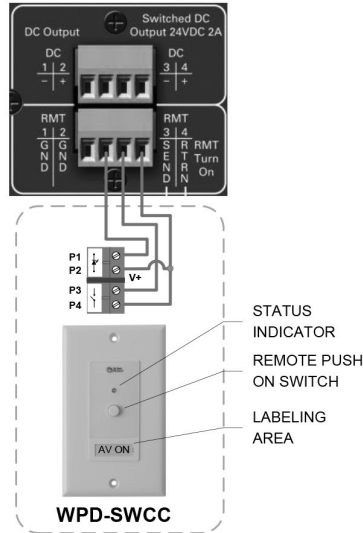


## Remote Activation Drawings

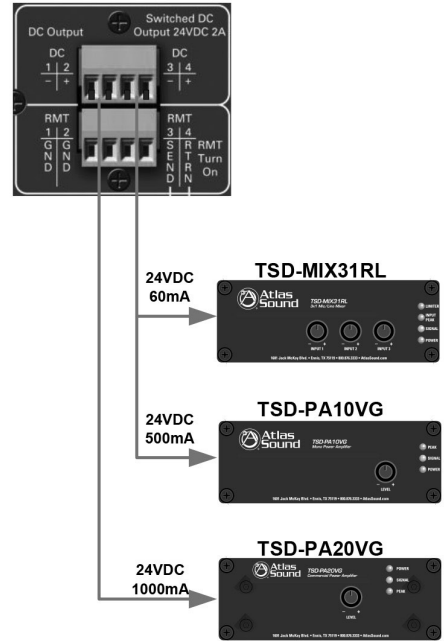
Remote Activation using a WPD-KSWCC with a Status Indicator



Remote Activation using a WPD-SWCC with Status Indicator

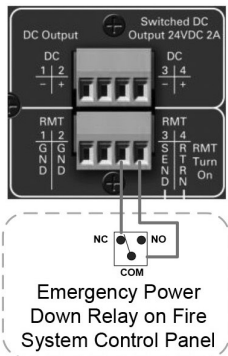


Using the 24VDC Output to power TSD Products

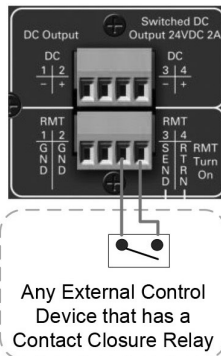


TSD 24VDC POWER CAN BE PARALLEL WIRED BUT NOT TO EXCEED 2A MAX LOAD. SEE ATLAS TSD POWER CALCULATOR.

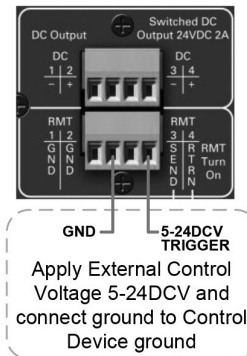
Creating an EPD (Emergency Power Down) for a Fire Alarm Override



Remote Activation using a Hard Switch or Contact Closure



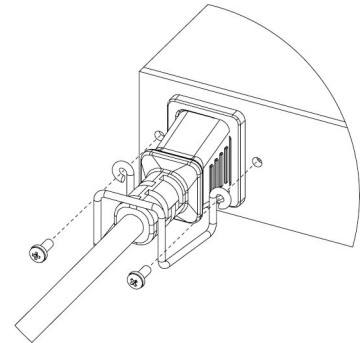
Remote Activation using an external DC power source



## AC Power Cord Retainer System

Connect the IEC 14 Gauge 12' (4m) power cord to a 15A 120VAC outlet to provide power to the AP-S15RTHR by aligning the pins of the cord to the pins on the chassis and inserting the cord. Press firmly to assure a good connection. Remove the two screws from the chassis of the AP-S15RTHR

The AP-S15RTHR incorporates an IEC power cord retainer bracket to prevent the cord from coming loose. To install the IEC power cord retainer bracket, remove the two screws from the chassis of the AP-S15RTHR, place the retainer bracket over the cord and insert the two screws through the bracket into the chassis as illustrated below.



1601 Jack McKay Blvd. • Ennis, Texas 75119 U.S.A.  
Telephone: 800.876.3333 • Fax: 800.765.3435



**Specifications**

Type	Power Conditioner & Suppressor
Load Rating	15A / 12A
Safety Listings	UL 60950 Standard

**Front Panel**

Outlets	1 Unswitched
Activation Switch	Rocker with Security Cover
Circuit Breaker	15A Resettable
Indicators	AC Power On, Outlets Active, AC Ground Fault

**Rear Panel**

AC Outlets	5 Outlets Total, 1 Unswitched & 4 Switched
Remote Activation	Latching Type Dry Contact Closure or 5V-24VDC
Remote Activation Connector	4 Position 3.5mm Phoenix Type Connection
24VDC 2000mA Output	4 Position 3.5mm Phoenix Type Connection
AC Mains IEC Power Socket	15A 1800W

**Technical Data**

Max AC Mains Current	15A AC Mains Breaker
Operating Voltage	102VAC - 132VAC
Power Consumption	8 Watts
Noise Attenuation RFI	10dB @ 10kHz / 40dB @ 100kHz / 100dB @ 10MHz
Min. Spike Clamping Voltage	460VRMS @ 3,000A
Max. Spike Clamping Voltage	6000V
Max. Spike Clamping Resp. Time	1 nanosecond
Spike Clamping Voltage @ 100A	1250Vp for 20µs
Maximum Surge Current	6,500A
Energy Rating @ 2ms	600 Joules
Temperature Range	5° – 35°C
Humidity Range	5% to 95% Relative Humidity

**Mechanical**

Chassis Finish	Black
Mounting	Half Rack Mount, 1 RU, Optional 19" Rack Kit Available
Height	1.75" (1RU, 44.5mm)
Width	8.9" (226.1mm) Body with Rack Ears 10.5" (266.7mm)
Depth	8" (203mm)
Weight	5.5 lbs (2.49kg)

**In the Box**

Manual
IEC Power Cord 14 Gauge 12ft (4M)
IEC Power Cord Retainer Bracket







### **Limited Warranty**

All products manufactured by Atlas Sound are warranted to the original dealer/installer, industrial or commercial purchaser to be free from defects in material and workmanship and to be in compliance with our published specifications, if any. This warranty shall extend from the date of purchase for a period of three years on all Atlas Sound products, including SOUNDOLIER brand, and ATLAS SOUND brand products except as follows: one year on electronics and control systems; one year on replacement parts; and one year on Musician Series stands and related accessories. Additionally, fuses and lamps carry no warranty. Atlas Sound will solely at its discretion, replace at no charge or repair free of charge defective parts or products when the product has been applied and used in accordance with our published operation and installation instructions. We will not be responsible for defects caused by improper storage, misuse (including failure to provide reasonable and necessary maintenance), accident, abnormal atmospheres, water immersion, lightning discharge, or malfunctions when products have been modified or operated in excess of rated power, altered, serviced or installed in other than a workman like manner. The original sales invoice should be retained as evidence of purchase under the terms of this warranty. All warranty returns must comply with our returns policy set forth below. When products returned to Atlas Sound do not qualify for repair or replacement under our warranty, repairs may be performed at prevailing costs for material and labor unless there is included with the returned product(s) a written request for an estimate of repair costs before any nonwarranty work is performed. In the event of replacement or upon completion of repairs, return shipment will be made with the transportation charges collect.

EXCEPT TO THE EXTENT THAT APPLICABLE LAW PREVENTS THE LIMITATION OF CONSEQUENTIAL DAMAGES FOR PERSONAL INJURY, ATLAS SOUND SHALL NOT BE LIABLE IN TORT OR CONTRACT FOR ANY DIRECT, CONSEQUENTIAL OR INCIDENTAL LOSS OR DAMAGE ARISING OUT OF THE INSTALLATION, USE OR INABILITY TO USE THE PRODUCTS. THE ABOVE WARRANTY IS IN LIEU OF ALL OTHER WARRANTIES INCLUDING BUT NOT LIMITED TO WARRANTIES OF MERCHANTABILITY AND FITNESS FOR A PARTICULAR PURPOSE.

Atlas Sound does not assume, or does it authorize any other person to assume or extend on its behalf, any other warranty, obligation, or liability. This warranty gives you specific legal rights and you may have other rights which vary from state to state.

### **Service**

Should your AP-S15RTHR require service, please contact the Atlas Sound warranty department at 1-877-689-8055, ext. 277 to obtain an RA number.

Atlas Sound Tech Support can be reached at 1-800-876-3333.

Visit our website at [www.AtlasSound.com](http://www.AtlasSound.com) to see other Atlas products.

©2016 Atlas Sound L.P. All rights reserved. Atlas Sound is a trademark of Atlas Sound L.P.  
All other trademarks are the property of their respective owners. ATS004840 RevC 1/16



1601 Jack McKay Blvd. • Ennis, Texas 75119 U.S.A.  
Telephone: 800.876.3333 • Fax: 800.765.3435