



## Captivate USB/Bluetooth Speakerphone

AT-CAP-SP100



The Atlona Captivate™ AT-CAP-SP100 is a USB / Bluetooth® speakerphone for use with popular video conferencing and unified communications platforms including Zoom™ and Microsoft® Teams. The CAP-SP100 provides microphone and speaker audio in a single elegant enclosure suitable for meeting rooms as well as executive and home office environments. USB, Bluetooth, and analog audio connectivity ensures compatibility with a wide array of computers, laptops, and mobile devices. The CAP-SP100 features a 6-element microphone array for 360-degree voice capture as well as the ability to concentrate audio pickup on individual talkers while suppressing background noises. Sophisticated audio processing optimized for voice intelligibility allows meeting participants to be heard loud and clear. The included battery allows the speakerphone to operate for up to 8 hours without a power connection. The CAP-SP100 speakerphone is an ideal addition to video conferencing system designs that utilize our USB cameras as well as Omega™ Series switching, extension, and video processing solutions.

### Package Contents

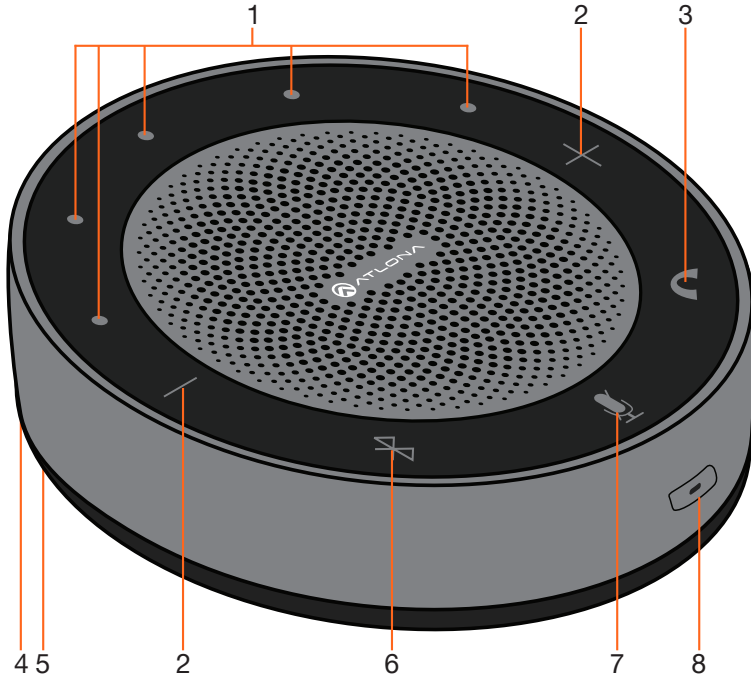
- 1 x AT-CAP-SP100
- 1 x AUX Cable
- 1 x USB-C to USB A Cable
- 1 x Installation Guide



**IMPORTANT:** Visit <https://atlona.com/product/at-cap-sp100/> for the latest firmware updates and Installation Guide.



**Panel Descriptions**



**1 Volume / Power Indicators**

While the unit is on, the indicators will display the volume level when the volume buttons are pressed. Quickly press the power button to have the LEDs display the power level. LEDs will display green for power.

**2 Volume Buttons**

Use the plus and minus buttons to increase or decrease the volume level.

**3 Answer/Hang up Button**

Select this button to accept incoming calls. When in a call press to hang up the call.



**NOTE:** Some apps or devices may require the button to be held for up to 5 seconds to hang up.

**Audio In/Out Port**

Connect the included AUX cable from this port to a PC or a second unit for audio chaining (using AT-CAP-SP100-CBL or AT-CAP-SP100-CBL-5M).

**4 5V 2A USB-C Port**

Connect the included USB-C to USB A cable from this port to either a PC or USB power strip. This port will pass through audio and also be used for power.

**5 Bluetooth Button**

Press and hold the button for 2 seconds to turn Bluetooth on and off. When Bluetooth is connected (LED will be blue), hold the button until it is disconnected.

**6 MIC Mute/Unmute**

Press this button to mute and unmute the microphone. The LED will turn red when muted.

**7 Power Button**

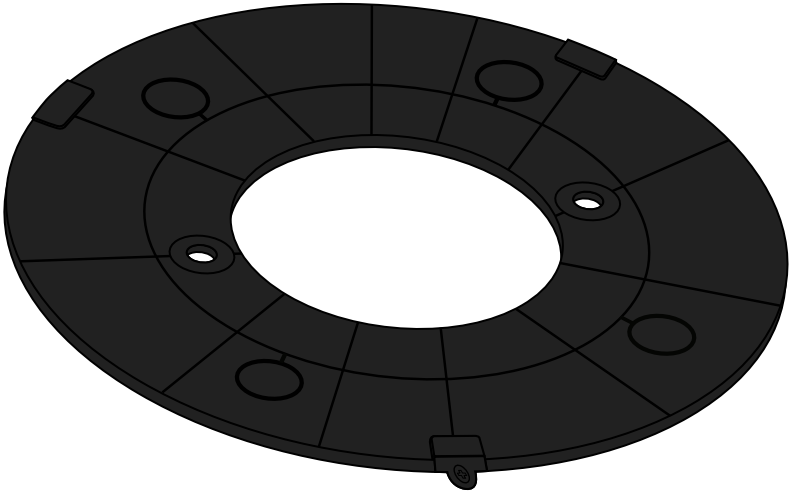
Press and hold the button to turn the unit on and off. The unit will beep when turning on or off. This button can also be quickly pressed to display the power level.



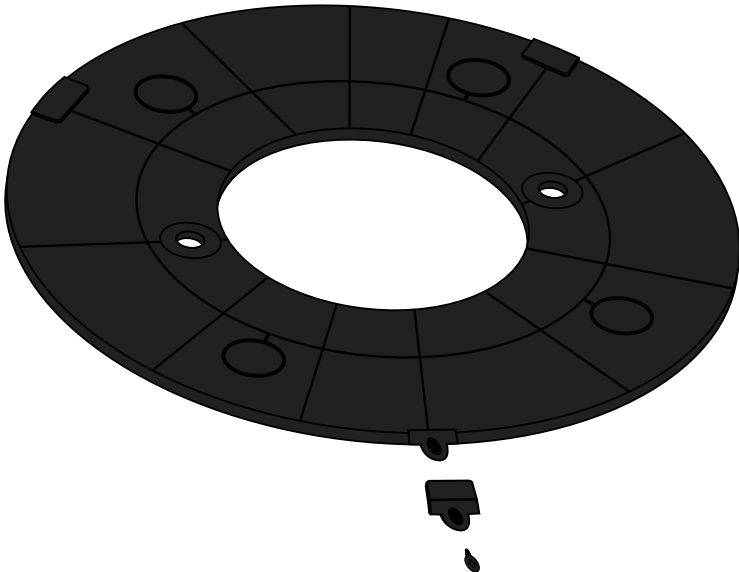
## Mounting Instructions

### Secure Mounting \*sold separately\*

An optional secure mount (AT-CAP-SP100-MNT) can be purchased through [atlona.com](http://atlona.com).



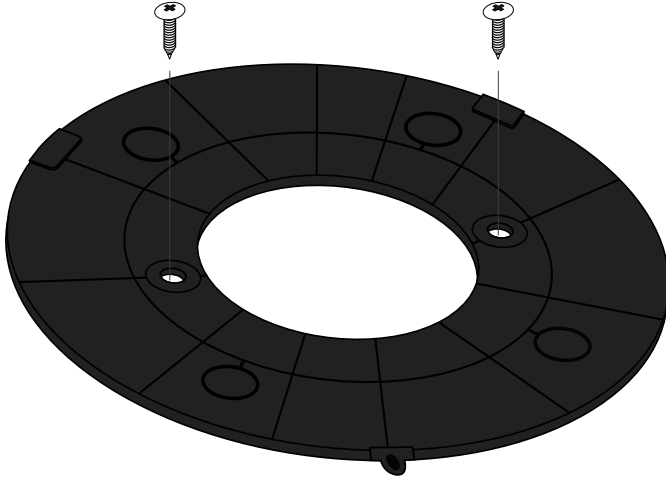
1. Remove the screw and detachable lip from the front of the secure mount.



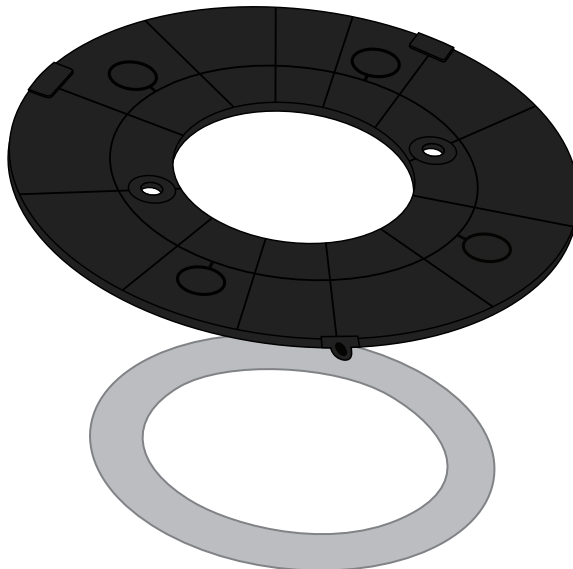


2. Secure the unit to the preferred surface (e.g. table top). There are two options for securing it to the table:

a. Run the included two bolts and nuts (included with AT-CAP-SP100-MNT) or two wood screws (not included) through the mount holes and screw them into the table/surface.



b. Remove the paper from the top of the included adhesive ring (included with AT-CAP-SP100-MNT) and press it firmly to the bottom of the mount. Once done, remove the paper from the bottom of the adhesive ring and press the secure mount (adhesive side down) onto the table/surface for 15 seconds to ensure the mount is secure.





3. Slide the AT-CAP-SP100 onto the mount, ensuring the bottom of the unit is under the two lips of the mount.




4. Attach the previously removed detachable lip with the screw from the first step. This will secure the unit to the mount.



### Connection Instructions

1. Press the power button until the unit turns on. A beep will play to indicate the power has turned on.
2. Connect the unit to the audio conference device (e.g. PC).
  - a. Bluetooth - Bluetooth will start flashing blue when powered on to connect. If connected through USB-C to a computer, the bluetooth button should be pressed and held for 5 seconds to enable pairing. Go to the conference device and select the AT-CAP-SP100 from the Bluetooth device list.
  - b. AUX - Connect the AT-CAP-SP100 to the audio conference device using the included AUX cable. The device should auto detect the speakerphone.
  - c. USB - Connect the AT-CAP-SP100 to the audio conference device using the included USB-C to USB A cable. The device should auto detect the unit.


 **NOTE:** Mute status sync on Microsoft Teams will only display when the AT-CAP-SP100 is connected via USB.

3. Select the AT-CAP-SP100 as the default audio device for input and playback.

### Power

The AT-CAP-SP100's internal battery will come with a small power charge. The unit will need to be charged fully before using.

- a. If using the unit with the USB-C to USB A cable, it will charge while in use and nothing additional will be needed.

 **NOTE:** Certain devices will send data over USB to the AT-CAP-SP100 when powered down, this will cause the unit to power back on.

- b. If using the unit with the AUX cable or over Bluetooth, the device can be powered through the included USB-C to USB A cable or using Qi wireless charging.

### Qi Charging

There are many types of Qi chargers. To work with the AT-CAP-SP100, it must provide 7.5W for power. Atlona has tested some chargers to ensure compatibility. See the table below for tested Qi chargers:

Compatible Chargers	
Anker PowerWave II Pad	Apple MagSafe Charger
Anker 313 Wireless Charger Pad	Logitech Power Pad (950-000010)



## Cascading

A cascade cable (AT-CAP-SP100-CBL or AT-CAP-SP100-CBL-5M) can be purchased through [atlona.com](https://atlona.com) to allow two AT-CAP-SP100s to be connected to another, enabling a larger conference area to be covered.

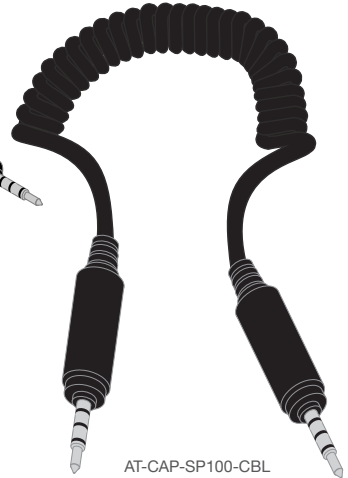


**NOTE:** Both units are powered separately. The cascade cable will not pass power between the units.

1. Connect one end of the cascade cable to the AUX port of the first unit and the second end into the AUX of the second unit.



AT-CAP-SP100-CBL-5M



AT-CAP-SP100-CBL



**NOTE:** For fixed installations, the AT-CAP-SP100-CBL-5M is the best option for audio cascading. If the units may move, the AT-CAP-SP100-CBL is the best option for cascading.

2. Power on the first unit and connect it to the conference device. The connection can be either USB or Bluetooth, but the AUX port will be unavailable while cascading.
3. Select the unit as the default audio device for audio input and playback.
4. Power on the second unit. It will detect the connection to the first unit and pair to share controls.

Now that both units are on and connected, any button presses on either unit will be mirrored on the other unit.



**NOTE:** Mute status of the secondary device will not display in Microsoft Teams. The secondary AT-CAP-SP100 will display the correct status light on the unit.

