

Description

Sigcom's TMH Series signals are high output continuous duty tone signaling amplified speakers for industrial applications in hazardous areas. TMH Series signals draw extremely low power while producing clear tone reproduction up to 107 dBA. Each TM Series signal features a rugged speaker cone and a projector built with spun aluminum. The amplification, power management, tone selection, and other internal circuitry are built into a rugged die cast aluminum housing which is sealed with powder coat paint and includes dust and moisture proof gaskets.

Applications

TMH Series tone signaling amplified speakers have been designed for high quality signaling in harsh environments with high ambient noise. They have been approved for indoor and outdoor use and are suitable for NEC Class I, Division 2, Groups A, B, C, and D; Class II, Division 2, Groups F and G; and Class III hazardous areas. They have been designed, tested, and approved for use in Type 3R applications. TMH Series signals are voltage triggered from a new or existing system to produce high decibel tone signals. Each TMH Series signal can be field configured to produce one of 11 different tones. Typical applications include emergency warning, plant evacuation, process control, as well as emergency communication systems. In addition, the model TMH-24R and TMH-24G are UL listed and approved for use in fire alarm systems.

Operation

TMH Series tone signaling amplified speakers are activated from either a 24 VDC (models TMH-24R and TMH-24G) or 115 VAC (model TMH-120G) source. Each TMH Series signal can be configured for one of up to 11 different tones including Fast Pulse, Whoop, HiLo, Temporal 1K, and Yelp. The tones are user selectable via an internal dipswitch - no additional modules to install. The TMH Series audio output can be adjusted ± 3 dB using an on board jumper to produce a maximum sound pressure level (SPL) of either 104 dBA or 107 dBA on axis at 10 ft. TM Series signals are available in 24 VDC and 120 VAC versions. The 120 VAC model is available in grey and the 24 VDC models are available in both red and grey.

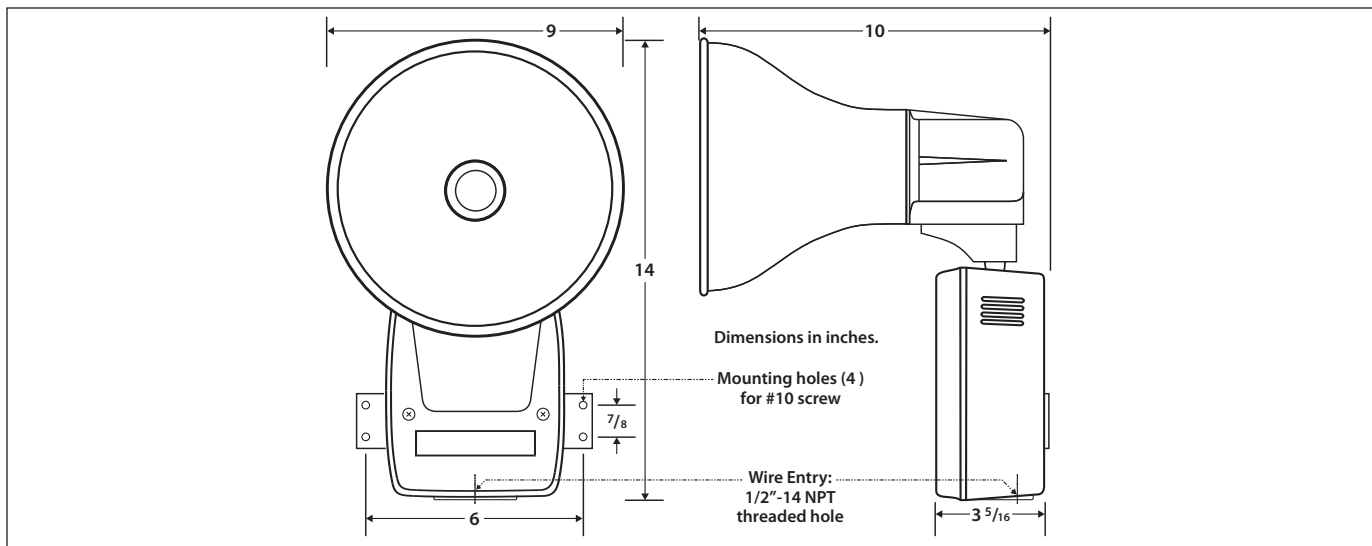


Features

- **Designed for industrial signaling in hazardous areas including**
 - › Emergency warning
 - › Process control
 - › Plant evacuation
 - › Public address
 - › Emergency Communication Systems (ECS)
- **UL Listed for fire alarm signaling**
- **Configurable for 11 different tones including Fast Pulse, Whoop, HiLo, Temporal 1K, and Yelp – no additional modules needed**
- **Digital signal amplification**
- **High decibel tone signals with extremely low current draw**
- **UL Listed for indoor and outdoor use**
- **Suitable for areas with high ambient noise**
- **Available for 24 VDC and 120 VAC; red or grey powder coat finish**



TMH Series Hazardous Area Tone Signaling Amplified Speakers



Specifications

TMH-24G / TMH-24R

- Power Input:** 24VDC nominal, 300/600 @ Normal/Boost power, 700mA maximum
Polarity protected, for use on reversing-polarity power supplies
- Output:** 104dB on axis at 10 feet; Normal
107dB on axis at 10 feet; Boost
- Connections:** Rising block terminal strip, with in-out wiring capability
- Tones:** Temporal 1k, Whoop, Slow Whoop, HiLo, 1 kHz, Beep, Ring, Fast Pulse, Yelp, Slow Yelp, and Chime
- Physical:**
Size 9"W x 14"H x 10"D
Weight 5.5 pounds
- Location:** Indoor or Outdoor locations
- Suitable for use in:**
Class I, Division 2, Groups A, B, C and D;
Class II, Division 2, Groups F and G;
Class III Hazardous locations
- Listing:** UL, C-UL

Specifications are subject to change without notice due to product improvements.

TMH-120G

- Power Input:** 115VAC nominal, 250mA maximum
- Output:** 104dB on axis at 10 feet; Normal
107dB on axis at 10 feet; Boost
- Connections:** Wire Connections for AC Mains
- Tones:** Temporal 1k, Whoop, Slow Whoop, HiLo, 1 kHz, Beep, Ring, Fast Pulse, Yelp, Slow Yelp, and Chime
- Physical:**
Size 9"W x 14"H x 10"D
Weight 5.5 pounds
- Location:** Indoor or Outdoor locations
- Suitable for use in:**
Class I, Division 2, Groups A, B, C and D;
Class II, Division 2, Groups F and G;
Class III Hazardous locations
- Listing:** UL, C-UL

Ordering Information

Model	Description
TMH-24R	Tone Signaling Amplified Speaker for use in hazardous areas, 24 VDC, red
TMH-24G	Tone Signaling Amplified Speaker for use in hazardous areas, 24 VDC, grey
TMH-120G	Tone Signaling Amplified Speaker for use in hazardous areas, 120 VAC, grey



4 Wheeling Avenue; Woburn, MA 01801
Phone – (781) 933-0998 | Fax – (781) 933-5019
Email – sales@sigcom.com | www.sigcom.com

©2016 Signal Communications Corporation; all rights reserved

161107r0/TMH24G-24R-120G