

DESCRIPTION

The ACS-2DR-C starter kit is a 2-8 door master door controller which includes a steel ventilated lockable enclosure containing a master door control board and a two-door relay control board.

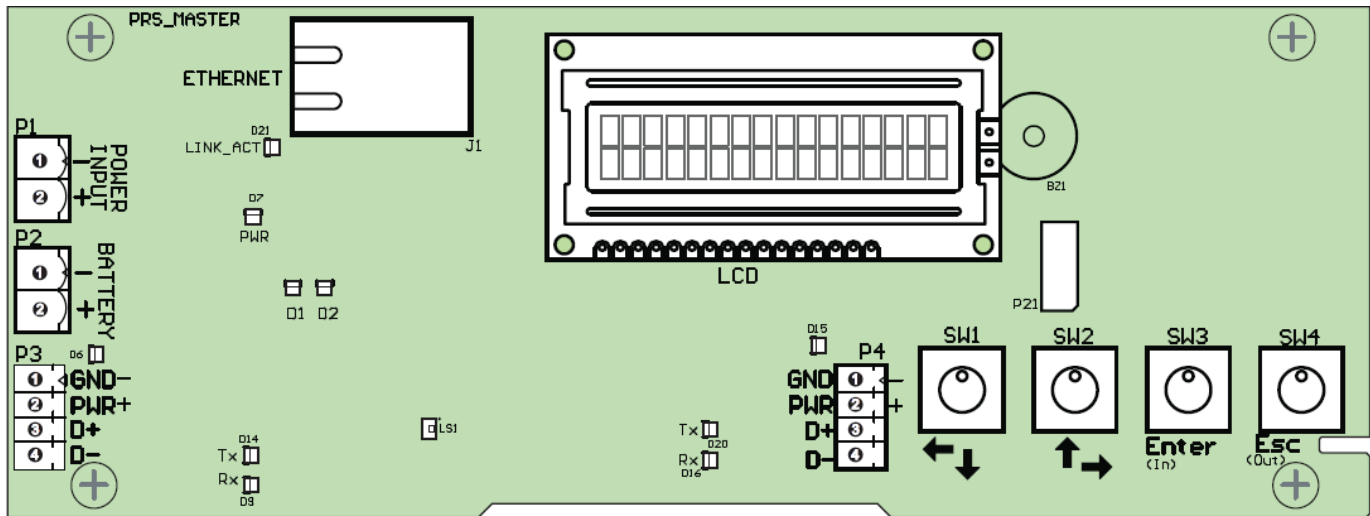
Each AC-2DE has contacts and readers to control two doors. Up to three AC-2DE door control boards can be added to control up to a max of eight doors in the enclosure. Each door will have two dry contacts and one wet contact for door release. Each door will also have three fully programmable contact inputs.

The AC-C is a steel enclosure designed to hold a master controller board, an AC-PS1250 power supply, and up to four expansion boards. Standoffs are included for board mounting. It is lockable, vented, and includes nine conduit knockouts on the sides and the back of the enclosure.

This kit can be used on its own, or as part of a larger AC Series access control system, with additional AC-2DM modules and AC-2DR panels. The system is managed using the AC Nio management software, with partitioning options available.

FEATURES

- Two Wiegand reader inputs (per AC-2DE)
- Integrated lock power for each door (12V DC, 500mA)
- Two solid state dry contact relays (per door)
- Three dry contact inputs per door
- Built in diagnostic LCD
- Custom scripting and actions available
- Can support up to 8 doors with additional AC-2DE
- Short and over-voltage protection
- Dedicated port for battery backup.
- TAA and NDAA Compliant



FEATURE CALL-OUT DEFINITIONS

- [P1] DC 12V ~ 14V input
- [P2] DC 12V Backup battery
- [P3] Power and communication for the left strip
- [P4] Power and communication for the right strip
- [P21] Expansion
- [J1] Ethernet
- [LS1] Tamper sensor
- [BZ1] Embedded buzzer
- [LCD] LCD
- [P12] Input5, Common, Input6
- [P14] Reader1
- [P15] Reader2
- [P16] DC 12V out, max 500mA
- [SW1-4] Diagnostic navigation buttons

SPECIFICATIONS

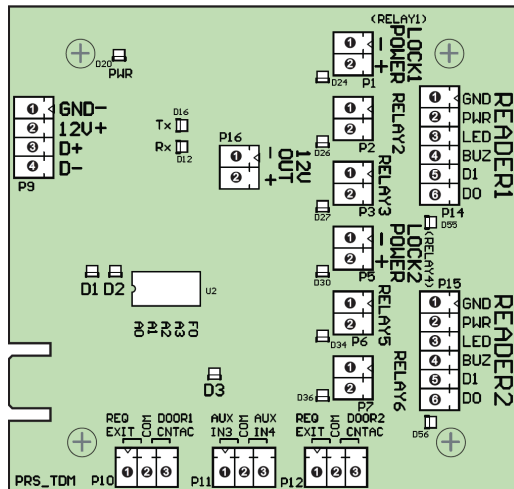
- Power Source:** 12V DC (AC-PS1225)
- NIC:** RJ45 Ethernet Port 10/100Mbps
- Board Communication:** RS485 (AC-STRIP)
- Protocols:** IPv4, IPv6, TCP, UDP, HTTPS
- Card Storage:** Up to 100,000 users.
- Event Storage:** Up to 50,000 events (first in, first out)
- UL Listing:** UL 294/ULC 5319-05

AC-2DE

Two-Door Expansion Module

AC-C

Steel, Vented, and Lockable Wall Enclosure



FEATURE CALL-OUT DEFINITIONS

- [P1] Door 1 lock power, 12V DC, 500mA
- [P2,P3] Door 1 dry contact relays
- [P5] Door 2 lock power, 12V DC, 500mA
- [P6,P7] Door 2 dry contact relays
- [P9] Power, communication data
- [P10-P12] Inputs
- [P14] Reader 1
- [P15] Reader 2
- [P16] 12V DC, 500mA

SPECIFICATIONS

- Power Source:** 12V DC (drawn from main board)
- Lock Power:** 12V DC 500mA
- Option Power:** 12V DC 500mA
- Contact Rating:** 30V DC 1A
- Dimensions:** 3-1/2" x 3-3/4"

SPECIFICATIONS

- Material:** Steel
- UL Listing:** UL 294/ULC 5319-05
- Dimensions:** 19-3/8" H x 13-5/8" W x 3" D
- Enclosure Knockouts:** 1-1/8" and 2" diameter