

INSTALLATION SUMMARY (see full manual for detailed instructions)

There are six steps in installing the communicator properly. **IF YOU DO NOT PROCEED IN THE ORDER AND MANNER PRESCRIBED, YOU MAY NOT COMPLETE THE INSTALLATION IN THE TIME ALLOCATED.**

STEP 1: REGISTER THE COMMUNICATOR

The registration form should be completed online through the 24/7 dealer portal: www.telguard.com.

STEP 2: LOCATE AND MOUNT COMMUNICATOR AND CONNECT POWER

Identify a location as far as possible from large metal objects and within convenient access to the alarm system panel. Securely mount the unit. If a TG-PEM accessory will be used, follow its instructions to install it at this time. Next, make all power-related connections by using the provided plug-in AC transformer or the panel's DC auxiliary output.

STEP 3: DETERMINE BEST ANTENNA PLACEMENT

Attach the antenna and press and release the RSSI button to check the cellular signal quality. For Cellular Only mode, there should be a *minimum* of 2-1/2 bars as shown in the RSSI LED chart. When a Telco line is also being used, 2 bars is the minimum. If necessary, use an antenna accessory to achieve the necessary signal strength. Press and release the RSSI button again to end RSSI mode.

STEP 4: MAKE COMMUNICATIONS CONNECTIONS AND ACTIVATE

Connect alarm panel dialer to the communicator via the black RJ-45 jack. Have the panel send an alarm signal (e.g., trip a zone) to activate the unit at the Telguard Communication Center. This first alarm will not be sent to the Central Station (subsequent alarms will). LED 1 will stay illuminated after the unit is activated. Finally, connect building's Telco line to the communicator's gray RJ-45 jack (skip this if using Cellular Only mode).

STEP 5: CONNECT SUPERVISORY TRIP OUTPUTS

Wire communicator's supervisory trip outputs to the alarm panel, then test.

STEP 6: CONNECT TAMPER SWITCH (REQUIRED FOR BURGLARY SYSTEMS)

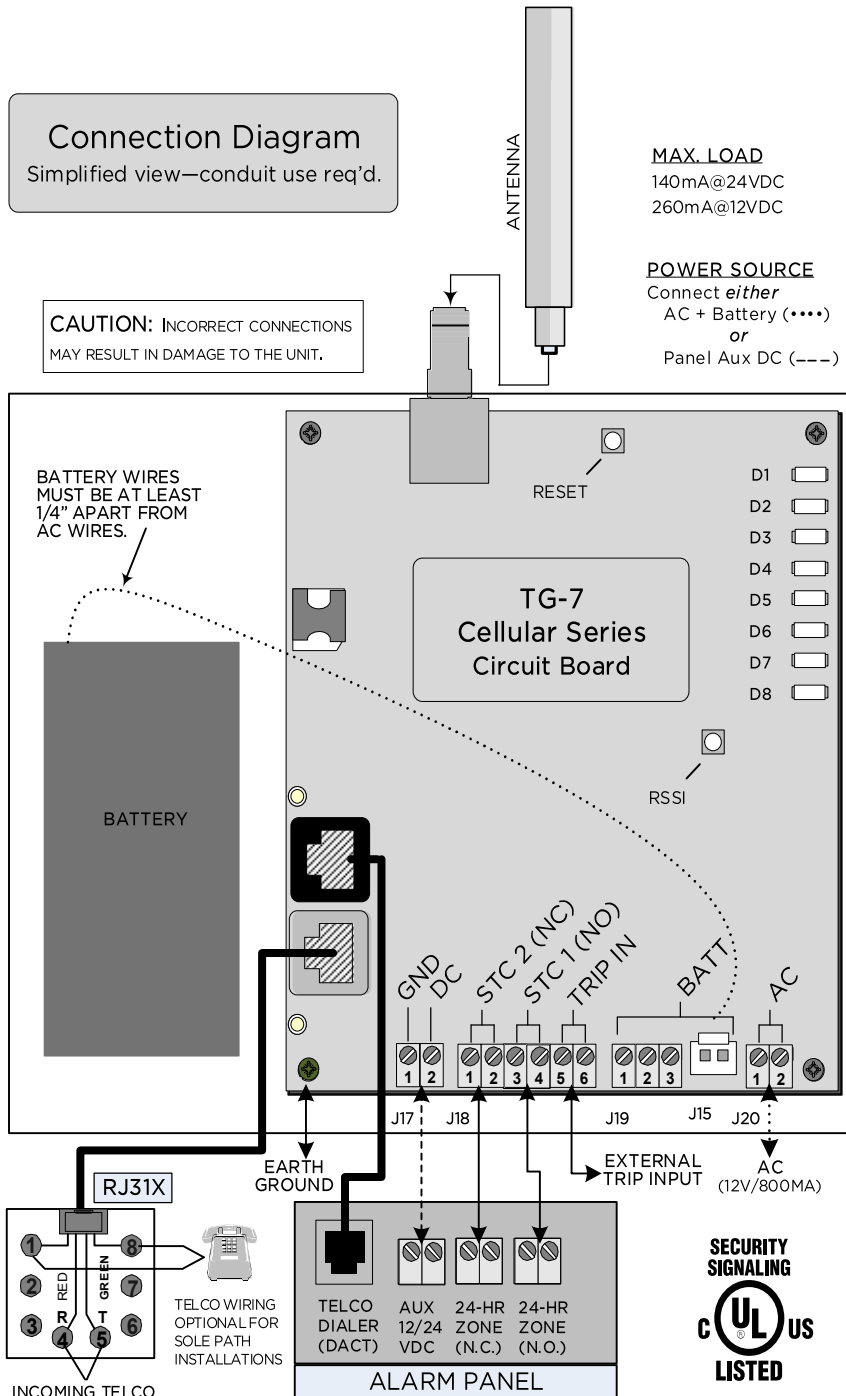
For installations where a tamper switch is required or desired (not supplied with all models), install it on the communicator enclosure and wire it directly to the alarm panel.

OPTIONAL: CONNECT TRIP INPUT

If desired, wire an external relay input to the trip input lead and ground, then test.

System Status LEDs (Normal Mode)		
LED Symbol	Showing	Indication
LED 1 Activation	Off	Unit not activated at TCC
	Solid On	Unit is activated at TCC and enabled
	Flash*	Unit is disabled
LED 2 STC (System Trouble Condition)	Off	ALL OK
	1 Flash*	ACPC — AC Power Condition <i>or</i> LPF — Low Power Failure
	2 Flashes*	LBC — Low Battery Condition
	3 Flashes*	LFC — Line Fault Condition
	4 Flashes*	NSC — No Service Condition
	5 Flashes*	RFC — Radio Failure Condition
	6 Flashes*	DTF — Dial Tone Failure
LED 3 Connected Panel	Off	Alarm panel idle--communicator is primary or sole path
	Solid On	Alarm panel idle--communicator is backup path
	Flash* (1 sec)	Alarm panel off-hook
LED 4 Acknowledgment	Off	Idle state
	Solid On	Unit waiting for acknowledgment from the TCC
	Flash*	When flashing with LED 1, unit has failed activation. <i>CALL TELGUARD TECHNICAL SUPPORT</i>
LED 5 Communications	Off	Communicator initialized
	On	Communicator initializing with cellular network
	Flash (1x per sec)	Communicator receiving message
	Flash (2x per sec)	Communicator sending message
	Flash (2x per 6 sec)	Link Supervision Mode
LED 6 — <i>Not Used</i>		
LED 7 Trip Input	Off	Trip Input not activated or is restored
	Solid On	Trip Input activated
LED 8 Power	Off (w/other LED activity)	Operating from communicator backup battery
	Solid On	Panel power or AC power connected to unit

For more detailed information, consult the full Installation & Operations Manual for the TG-7 Cellular Series, available at telguard.com



System Status LEDs (RSSI Mode)								
LEDs 2-5	<input type="checkbox"/>	<input type="checkbox"/>	<input type="checkbox"/>	<input type="checkbox"/>	<input type="checkbox"/>	<input type="checkbox"/>	<input type="checkbox"/>	<input type="checkbox"/>
RSSI (bars)	NONE	1	1½	2	2½	3	3½	4
Signal (dBm)	NO SVC	< -110	> -110	> -100	> -90	> -80	> -70	> -60

LEGEND: OFF BLINKING ON

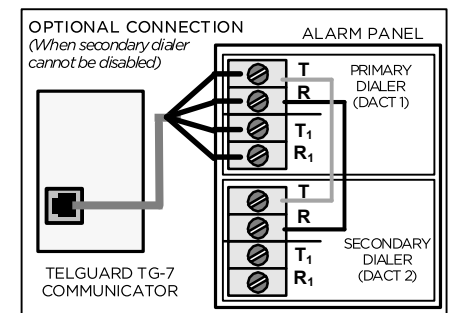
Acceptable RSSI Range*
*2½ bar minimum in Sole Path mode

USING COMMUNICATOR IN CELLULAR ONLY MODE—FIRE SYSTEMS

Using the communicator in Cellular Only mode with a system that has no other communication path results in a Sole Path system. Sole Path in a fire system requires Link Supervision using an appropriate interval as well as a Sole Path monthly rate plan (when an alternate pathway is connected, Sole Path does not apply).

ALARM SYSTEMS WITH CONNECTIONS FOR TWO PHONE LINES (DACTS)

Some alarm panels—generally fire systems—support two phone lines. When the Telguard communicator is the only communications device being used, the unused DACT must be disabled at the panel. When there is no panel setting, the two lines can be combined as shown in the diagram as an alternative.



800.229.2326 | telguard.com
3225 Cumberland Blvd SE • Suite 300 Atlanta, GA 30339 • USA

© 2021 Telguard. Telguard and the Telguard logo are registered trademarks of Telular Corporation. Telular is a business unit of AMETEK, Inc. All Rights Reserved.