

Sectional Indicator Kits used with Best[®] or Schlage[®] Mortise Locks

1

Tools Required

- #1, #2, & #3 Phillips Head Screwdrivers
- T-20 Torx Screw with Tamper Pin Driver
- Flat Blade Screwdriver
- 3/32" Drill Bit

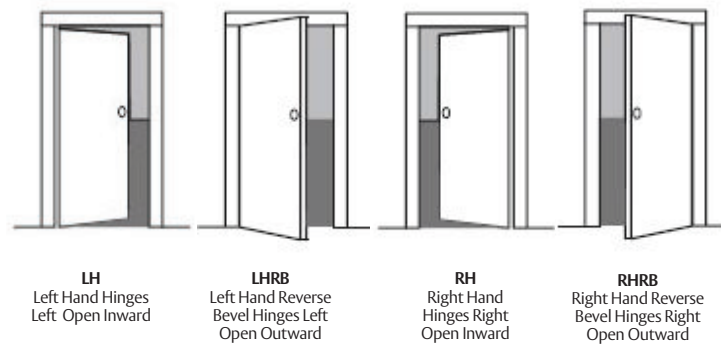
2

Verify Indicator Handing - Important!

All indicator kits are assembled at the factory with the spindle cam in the same orientation.

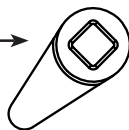
Indicator spindle cams MUST be oriented correctly per lock function and door mounting location.

1. Stand outside of locked door to verify hand.

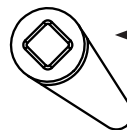


2. See Figure 1 on page 3 for location of spindle cam. With indicator display showing “Vacant” or “Unlocked,” confirm orientation of spindle cam, based upon the lockset brand, function, hand of the door and mounting location. See chart on page 2.
 - a. Spindle cam will be oriented in either the left or right display slide slot.

Spindle cam located in the left display slot →



← Spindle cam located in the right display slot



If handing is correct, skip to Step 5b, “Prepare Door for Indicator.”

WARNING

This product can expose you to lead which is known to the state of California to cause cancer and birth defects or other reproductive harm. For more information go to www.P65warnings.ca.gov.

WARNING

Attention installer: Improper installation may result in damage to the product and void the factory warranty.

3 Spindle Cam Chart

Best® 45H/34H/35H Series

Best® Function	Function Illustration	Description	Outside of Door			Inside of Door		
			Indicator Illustration	RH/RHRB	LH/LHRB	Indicator	RH/RHRB	LH/LHRB
L		Privacy F19						
LT		Privacy						
AT		Office F04						
AB		Office F20						
RD		Classroom DL F29						
TA		Dormitory F12						
TD		Dormitory						
IND		Intruder F33						
INL		Intruder F32						

Schlage® L9000 Series

Schlage® Function	Function Illustration	Description	Outside of Door			Inside of Door		
			Indicator Illustration	RH/RHRB	LH/LHRB	Indicator	RH/RHRB	LH/LHRB
L/LV9040		Privacy F22						
L/LV9044		Privacy						
L/LV9050		Office F04						
L/LV9456		Corridor F13						
L9473		Dormitory F21						
L/LV9060		Apartment Entrance Lock F09						
L/LV9071		Classroom Security F32						
L/LV9077		Classroom Security Holdback						
L/LV9457		Classroom Security F33						
L/LV9458		Classroom Security F34						
L9466		Store/Utility Room Lock with Deadbolt F14						
L/LV9070		Classroom Lock F05						

MEMN14 7/21

Retrofit Indicators

Installation Instructions

4 Handing Indicator (if required)

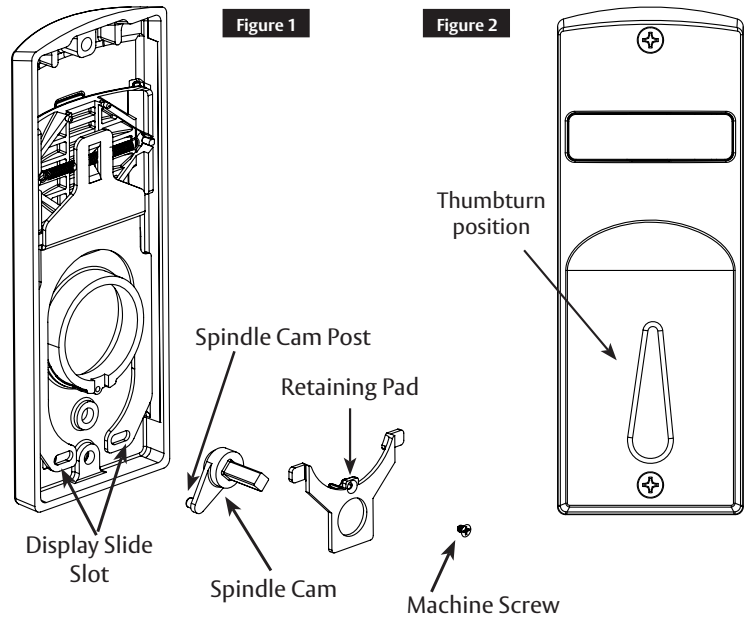
If not handed correctly:

1. Remove machine screw, retaining pad and spindle cam from assembly. (Figure 1)
2. Position spindle cam in correct direction for door hand. Refer to the Spindle Cam chart on the previous page.

Important:

For thumbturn indicators, make sure thumbturn is positioned in the 12 o'clock direction as shown. (Figure 2)

3. Position the spindle cam post into correct slot of display slide. (Figure 1)
4. Re-seat retaining pad into original position.
5. Re-install machine screw and hand tighten.



5 Installation

a Remove existing trim from door, leaving lockbody installed

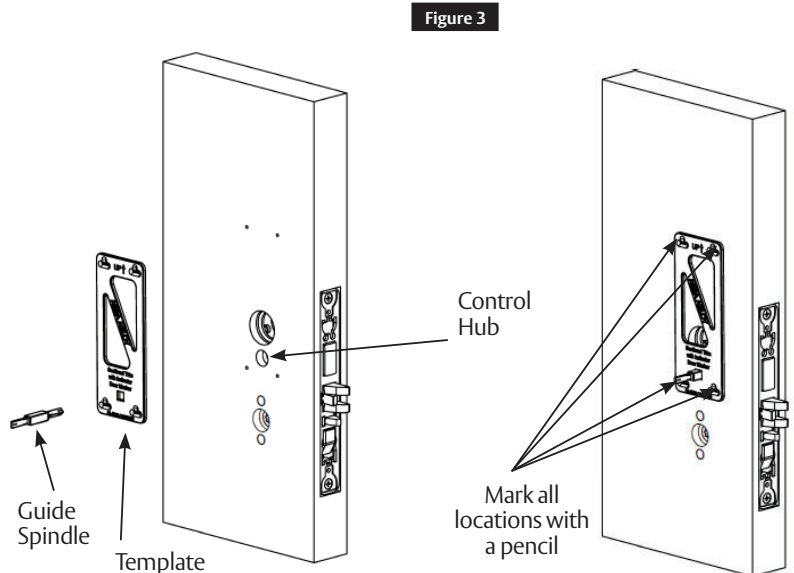
b Prepare door for indicator

1. Insert guide spindle into control hub on the side where indicator will be used. Use side of guide spindle corresponding to your lock brand.
2. Slide indicator template over guide spindle. (Figure 3)

Important:

Make sure template is properly centered and aligned to ensure smooth indicator operation.

3. Mark the four (4) hole positions indicated on template.
4. Remove guide spindle and template.
5. Remove lockbody.
6. Drill four (4) marked holes with a 3/32" diameter bit, by 1/2" deep.
7. Reinstall lockbody and hand tighten screws.



Notes:

- Ensure door surface is free of chips and debris around holes. As a result, indicator will sit flat against door surface.
- Lockbody shown is for reference and may not be representative of your product.

c Install trim according to manufacturer instructions

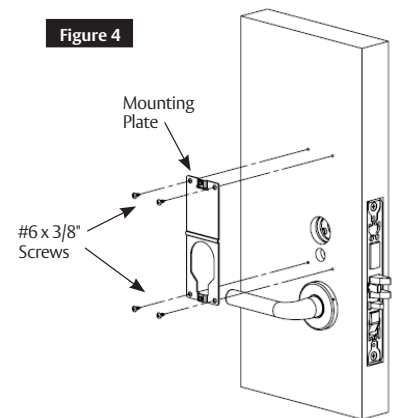
5

Installation, continued

d

Install indicator mounting plate

Screw indicator mounting plate to door using (4) #6 x 3/8" screws. (Figure 4)



e

Install indicator assembly

1. Verify lock is in unlocked state, and indicator reads "Vacant" or "Unlocked".
2. Align spindle with square/diamond hole in Control Hub (Figure 5) and assemble indicator onto mounting plate.
3. Secure indicator assembly to door. Torx security screws recommended. (Figure 6)
 - Use #8-32 x 5/8" screw for top.
 - Use #8-32 x 3/8" screw for bottom.

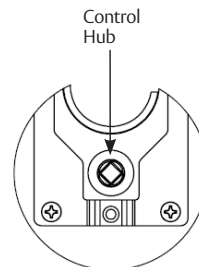


Figure 5

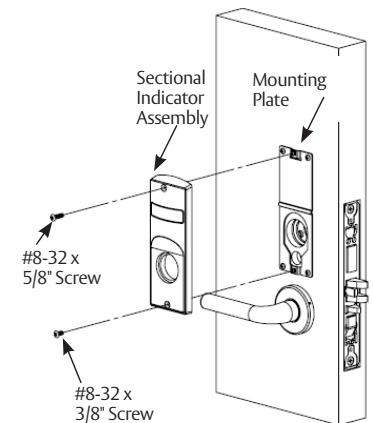


Figure 6

f

Install cylinder (if present) and outside front

Install cylinder and outside front according to manufacturer instructions.

6

Perform Functional Check

DO NOT FORCE if resistance is encountered during functional check. Refer back to Rehanding Indicator to confirm handing. Rehand if necessary.

1. Insert key into cylinder (if present) and rotate.
2. Ensure there isn't any friction against lock case, or any other obstructions.
3. Check key retracts latch. The key should rotate freely.
4. Throw deadbolt (if present), and check that the key retracts both deadbolt and latch.
5. Test levers by confirming latch and deadbolt (if installed) retract.
6. Verify indicator displays correct status when locked and unlocked.

WARNING

Attention installer: Improper installation may result in damage to the product and void the factory warranty.

MEMN14 7/21

Experience a safer and more open world