

# Cabinet Lock Overview

Experience a safer  
and more open world



# Universal Cabinet Locks

## HES 600 Series Cabinet Locks

Provides versatile and durable access control for compact openings in retail, corporate and government applications.



## Securitron Magnetic Cabinet Locks

Magnetic cabinet lock solutions for secure access control in any space.



### HES 610 Electromechanical Cabinet Lock

The versatile, compact, cost effective cabinet lock with over 200 lbs of holding force that can be used to secure indoor, low-abuse, sliding or swinging drawers or doors. Available with or without locked state monitoring.



Swinging Door



Sliding Door



Drawers

#### How to Order

SERIES	OPTION (S)
<b>610</b>	<b>- LM</b>
610 Cabinet Lock	(blank) No Monitoring LM Locked state monitoring

### Securitron MCL

The compact versatile asset management cabinet locking solution. Ideal for extending access control to sliding or swinging cabinet doors and enclosures. Typical applications include jewelry cases, museum displays, gun cabinets, pharmaceutical storage cabinets or cash drawers – indoors or out.

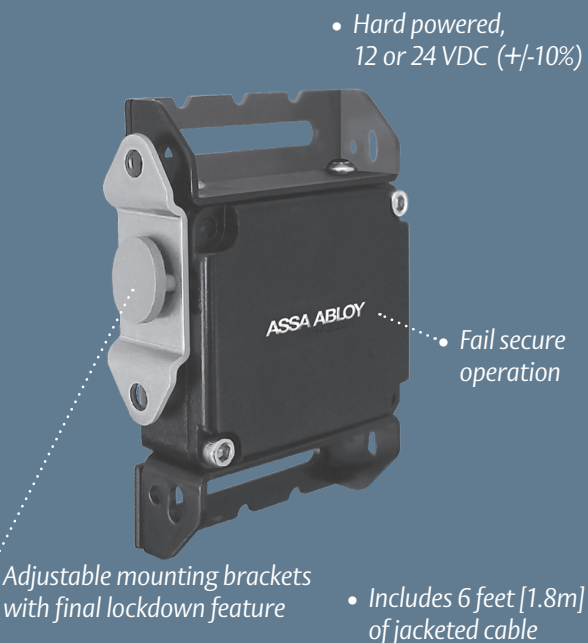
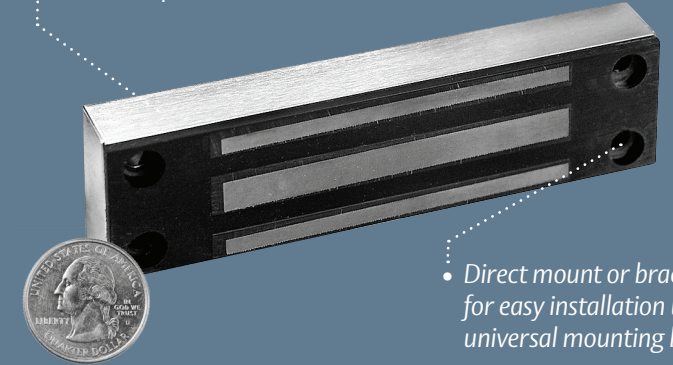


Swinging Door



Drawers

Fully sealed for weather resistant operation



### HES 660 Electromechanical Cabinet Lock

The strongest multi-purpose cabinet locking solution. Provides over 1,000 lbs of holding force that can be used to secure sliding or swinging drawers or doors. Available with or without locked state monitoring and a preload release function, allowing for smooth functional operation under a variety of high-abuse environmental conditions.



Swinging Door



Sliding Door



Drawers

#### How to Order

SERIES	VOLTAGE	OPTION (S)
<b>660</b>	<b>- 12V</b>	<b>- LBSM - Preload</b>
660 Cabinet Lock	12V 12 Volt 24V 24 Volt	(blank) No preload, no monitoring Preload Up to 15 lbs LBSM Locked state monitoring LBSM-20PK Locked state monitoring 20 Pack LBSM-Preload Locked state monitoring with preload

### Securitron M32-SS

The durable split strike 600 lb (300 lbs per strike) electromagnetic cabinet lock that is ideal for extending access control to secure large double-door cabinet and enclosure out-swinging door applications that share a center latching point – indoors or out.



Swinging Door

Supports 5/8" to 7/8" [15.75mm to 23 mm] door thickness



#### How to Order

MODEL SERIES	MONITORING OPTIONS	STRIKE PLATE OPTIONS
<b>M32</b>	<b>B</b>	<b>-SS</b>
M32 (600 lbs)	(blank) No Monitoring B BondSTAT Monitor	SS Split Strike

Includes 10 feet [3.05 m] of jacketed cable

# Cabinet Locks for Swinging or Sliding Doors & Drawers

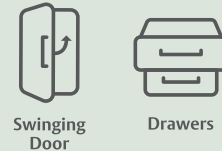
## HES K Series Cabinet Locks

Offers flexible integrated solutions for extending access control to secure cabinets, lockers, or doors.



### KP20

Flexible, cost effective solution for stand-alone, battery operated, keypad access control for low to medium security applications with 75 lbs. of holding force.



Installs on wood or metal cabinet drawers or doors 1/16" to 7/8" [1 to 23 mm]

Public (one time use) or private (on-going) programming modes

No audit trail

Battery powered by 3 x AAA alkaline batteries (sold separately)

Micro USB for emergency override upon loss of power



Audit trail limited by EAC system

Integrates with existing access control systems and ID badges

Available with Pinch (P) Or Lever (L) Knobs

Battery powered by 2 x AA alkaline batteries (included)



### K100

Integrated wireless electronic access control solution for use with swinging and sliding cabinet doors and drawers with a door thickness up to 2-1/4". Comes standard with locked state and tamper monitoring, optional mechanical key override and over 150 lbs of holding force.



- With 2.4 GHz wireless Aperio® technology
  - Supports HID® multiCLASS SE® contactless credentials\*
  - Supports HID NFC & BLE mobile access credentials\*

\*Visit [hesinnovations.com](http://hesinnovations.com) for a full list of card technology and credentials

### K200

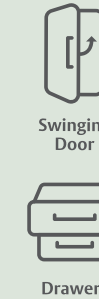
Integrated wired electronic access control solution for use with swinging doors and drawers with a door thickness up to 1-1/2". The hard powered locking solution comes standard with locked state monitoring, optional mechanical key override and over 150 lbs of holding force.

- Supports most HID 125 kHz and 13.56 contactless credentials in addition to NFC mobile access\*

\*Visit [hesinnovations.com](http://hesinnovations.com) for a full list of card technology and credentials

### Accessories

- OBS-622 Open back strike plate for drawers
- WT-1 Wiegand Test Box with LED Indicators
- CBL6-QC12 K200/KS200 Lock Side Interface Cable: 6 foot, 12 conductor and Molex both ends
- WT-2 Wiegand Test Box with LCD Backlit Display and LED Indicators
- CBL12-QC12 K200/KS200 Lock Side System Interface Cable: 12 foot, 12 conductor and Molex one end, pinned one end



Hardwired Wiegand communication

Dual voltage 12/24 VDC

Audit trail limited by EAC system

### Accessories

- OBS-622 Open back strike plate for drawers
- EXT-10-ANT Aperio Hub External Antenna (Omni-directional)
- APA-10-USB Wireless USB Radio Dongle
- AH20W14 1-to1 Wiegand Hub
- APA-10-PC Wireless programming kit

### How to Order

SERIES	MODEL	CARD TECHNOLOGY	COLOR	KNOB TYPE	SHAFT LENGTH (DOOR THICKNESS)
K100	- 622	- IPS	- B	P	2
	622 Non-paired for doors (standard)	IPS HID Prox®, Kantech ioProx®, HID iCLASS®, HID iCLASS SE® (SIO-enabled), HID iCLASS® Seos™, HID MIFARE® SE, HID DESFire® EV1 SE, MIFARE Classic, MIFARE DESFire EV1, NFC-enabled Mobile Phones: HID Mobile Access (NFC), Seos Apple Wallet (NFC)	B Black	P Pinch L Lever	(blank) 1/16" to 1/2" (standard) 2 ≥ 1/2" to 1-1/2" 3 ≥ 1-1/2" to 2-1/4"
	622D Non-paired for drawers	BIPS-XXXXX* HID Prox, Kantech ioProx, HID iCLASS, HID iCLASS SE (SIO-enabled), HID iCLASS Seos, HID MIFARE SE, HID DESFire EV1 SE, MIFARE Classic, MIFARE DESFire EV1, NFC & BLE-enabled Mobile Phones: HID Mobile Access (BLE and NFC), Seos Apple Wallet (NFC)			

\*XXXXX is a unique or customer specific key that is only reorderable for that specific company.

### How to Order

SERIES	COMMUNICATION	MODEL	CARD TECHNOLOGY			KNOB OPTIONS	
			K	200	-S		-IPS
Cabinet Lock	200 Wiegand	622 for use with cabinet DOORS 622D for use with cabinet DRAWERS	STANDARD	IPS	HID multiCLASS SE	HID Prox®, Kantech ioProx, HID iCLASS®, HID iCLASS SE® (SIO-enabled), HID iCLASS® Seos™, HID MIFARE® SE, HID DESFire® EV1 SE, MIFARE Classic, MIFARE DESFire EV1, NFC-enabled mobile phones	BP Black, Plastic Pinch Knob
			ICLASS ELITE (Restricted)*	IPEXXXX	HID iCLASS Elite	HID iCLASS Elite Keys (ICEXXXX)*, HF Only	
				IPV040	RFID Only (HID iCLASS SE) PIV-I / 40 Bit FASC-N	40 Bit FASC-N message length: System + Credential (parity automatically removed), HF Only	
				IPV064	RFID Only (HID iCLASS SE) PIV-I / 64 Bit FASC-N	64 Bit FASC-N message length: Agency + System + Credential + Series + Issue (parity automatically removed), HF Only	
				IPV075	RFID Only (HID iCLASS SE) PIV-I / 75 Bit FASC-N	75 Bit FASC-N message length: Agency + System + Credential + Expiration Date (parity automatically removed), HF Only	
				IPV128	RFID Only (HID iCLASS SE) PIV-I / 128 Bit FASC-N	128 Bit FASC-N message length: Agency + System + Credential + Series + Issue + Pers Iden + Org/Ind + Pers/Org (parity automatically removed), HF Only	
				IPV200	RFID Only (HID iCLASS SE) PIV-I / 200 Bit FASC-N	200 Bit complete FASC-N number (parity included), HF Only	

# Server Cabinet Locks

## HES KS Series Cabinet Locks

Offers real-time monitoring and managed access to server cabinet doors that protect against costly and damaging security breaches. The KS Series locks can be easily installed on most cam-activated swing handle server cabinet doors with a 150 x 25 mm lock prep.



- Cam Activated
- Compatible with MEDECO X4 and XT intelligent keys
- Mechanical 6 or 7-pin SFIC Key Override (Sold separately)
- Non-Handed

### KS-M

The mechanical lock installs easily on most cam-activated swing-handled server cabinet doors equipped with a standard 150 x 25 mm lock prep and provides support for a 6 or 7-pin SFIC (Small Format Interchangeable Core) mechanical key override.



Swinging Door

### How to Order

SERIES	MODEL	COLOR	KEY OVERRIDE
KS	-M	-B	-K1
KS	-M Mechanical	B Black	(blank) No SFIC or Blank Plastic Core (standard) K1 SFIC Medeco X4 Cylinder & 2 Keys (1 control & 1 user)

### KS100

Integrated wireless electronic access control solution, designed to install easily on most cam-activated swing-handle server cabinet doors with a 25 x 150 mm lock prep, the HES KS100 comes standard with locked state monitoring and supports a 6 or 7-pin SFIC (Small Format Interchangeable Core) mechanical key override. For high security applications, an optional extended DPS monitoring sensor can be connected to ensure that the cabinet is closed, locked and secure.



Swinging Door

- With 2.4 GHz wireless Aperio® technology
  - » Supports HID® multiCLASS SE® contactless credentials\*
  - » Supports HID NFC & BLE mobile access credentials\*

\*Visit [hesinnovations.com](http://hesinnovations.com) for a full list of card technology and credentials.



- Cam-activated
- Integrates with existing access control systems and ID badges
- Non-handed
- Audit trail limited by EAC system
- Battery powered by 2 x AA alkaline batteries (included)
- Compatible for use with Medeco XT Intelligent Keys & Cores



### Accessories

- SFIC Medeco X4 SFIC cylinder & 2 keys (1 control, 1 user)
- SFIC-BC KS SFIC blank, black plastic core
- KS-DPS Surface mount DPS (external)
- KS-CAM38 Locking Cam: 38MM-1
- KS-CAM45 Locking Cam: 45MM-5
- AH20W14 1-to-1 Wiegand Hub
- EXT-10-ANT Aperio Hub External Antenna (Omni-directional)
- APA-10-PC Wireless programming kit
- APA-10-USB Wireless USB Radio Dongle

### How to Order

SERIES	MODEL	BIPS CARD TECHNOLOGY	COLOR	KEY OVERRIDE (OPTIONAL)
KS100	-S	-IPS	-B	-K1
	S for Swing Handle Server Cabinet Doors with 150x25 mm cutouts (standard)	IPS HID Prox®, Kantech ioProx, HID iCLASS®, HID iCLASS SE® (SIO-enabled), HID iCLASS® Seos™, HID MIFARE® SE, HID DESFire® EV1 SE, MIFARE Classic, MIFARE DESFire EV1, NFC-enabled mobile phones, BIPSEXXXX BIPSEXXXX* HID Prox, Kantech ioProx, HID iCLASS, HID iCLASS SE (SIO-enabled), HID iCLASS Seos, HID MIFARE SE, HID DESFire EV1 SE, MIFARE Classic, MIFARE DESFire EV1, NFC & BLE-enabled Mobile Phones: HID Mobile Access (BLE and NFC), Seos Apple Wallet (NFC)	B Black	(blank) No SFIC or Blank Plastic Core (Standard) BC SFIC blank, black plastic core K1 MEDECO X4 SFIC Core (DGV Commercial Keyway) with 2 Keys (1 Control, 1 User)

\*XXXXX is a unique or customer specific key that is only reorderable for that specific company.



# Server Cabinet Locks Continued

## KS200|KS210



Swinging Door

Integrated wired electronic access control solution, designed to install easily on most cam-activated swing-handle server cabinet doors with a 25 x 150 mm lock prep, the KS200 & KS210 comes standard with locked state monitoring and utilizes an SFIC (Small Format Interchangeable Core) mechanical key override. For high security applications, an optional extended DPS monitoring sensor can be connected to ensure that the cabinet is closed, locked and secure.

- Supports most HID 125 kHz and 13.56 contactless credentials in addition to BLE/NFC mobile access\*

\*Visit [hesinnovations.com](http://hesinnovations.com) for a full list of card technology and credentials.



- Hard-powered

- ElectroLynx® connectors for plug-n-play connectivity

- Mechanical SFIC key override; Compatible with MEDECO X4 and XT intelligent keys

- KS200 (Integrated Wired Wiegand) communication OR
- KS210 (RS-485 OSDP) communication

- MEDECO XT intelligent keys

## Accessories

- SFIC Medeco X4 SFIC cylinder & 2 keys (1 control, 1 user)
- SFIC-BC KS SFIC blank, black plastic core
- KS-DPS Surface mount DPS (external)
- KS-CAM38 Locking Cam: 38MM-1
- KS-CAM45 Locking Cam: 45MM-5
- CBL6-QC12 K200/KS200 Lock Side Interface Cable: 6 foot, 12 conductor and Molex both ends
- CBL12-QC12 K200/KS200 Lock Side System Interface Cable: 12 foot, 12 conductor and Molex one end, pinned one end
- WT-1 Wiegand Test Box with LED Indicators
- WT-2 Wiegand Test Box with LCD Backlit Display and LED Indicators

## How to Order

SERIES	COMMUNICATION	MODEL	CARD TECHNOLOGY			COLOR	KEYING OPTIONS
KS	200	-S		-IPS		-B	K1
Server Cabinet Lock	200 Integrated Wired Wiegand 210 RS-485 OSDP	S Swing Handle 150x25 mm Cam Activated	STANDARD	IPS	HID multiCLASS SE	B Black	(blank) No SFIC or Blank Plastic Core (Standard)
			ICLASS ELITE (Restricted)*	IPEXXXXX	HID iCLASS Elite		BC SFIC blank (Black plastic core)
			BLE MOBILE ENABLED (KS210 MODELS ONLY)	BIPXXXXX	HID multiCLASS SE		K1 MEDECO X4 SFIC Core (DGV Commercial Keyway) with 2 Keys (1 Control, 1 User)
			PIV-I	IPV040	RFID Only (HID iCLASS SE) PIV-I / 40 Bit FASC-N		40 Bit FASC-N message length: System + Credential (parity automatically removed), HF Only
				IPV064	RFID Only (HID iCLASS SE) PIV-I / 64 Bit FASC-N		64 Bit FASC-N message length: Agency + System + Credential + Series + Issue (parity automatically removed), HF Only
				IPV075	RFID Only (HID iCLASS SE) PIV-I / 75 Bit FASC-N		75 Bit FASC-N message length: Agency + System + Credential + Expiration Date (parity automatically removed), HF Only
				IPV128	RFID Only (HID iCLASS SE) PIV-I / 128 Bit FASC-N		128 Bit FASC-N message length: Agency + System + Credential + Series + Issue + Pers Iden + Org/Ind + Pers/Org (parity automatically removed), HF Only
				IPV200	RFID Only (HID iCLASS SE) PIV-I / 200 Bit FASC-N		200 Bit complete FASC-N number (parity included), HF Only

### KS Rack Compatibility

The KS Series integrates with most manufacturer systems. For a full list of compatibilities visit [hesinnovations.com](http://hesinnovations.com).

### Power Your Solution

Securitron and LifeSafety Power offer a wide range of linear and switching power supplies to protect and enhance the performance of any electrified access control component. Visit [securitron.com](http://securitron.com) or [lifesafetypower.com](http://lifesafetypower.com) to learn more.

The KS210 is now on the GSA FIPS 201 Evaluation Program Approved Product List (APL).

# Comparison Overview Chart

Stand-alone, wired, and wireless technology options

					
		HES 610	HES 660	Securitron MCL	Securitron M32-SS
OVERVIEW	Technology Type	Wired	Wired	Wired	Wired
	Holding Force	200 lbs	1,000 lbs	180 lbs	600lbs (300 lbs per strike)
APPLICATION	 Swinging Doors	✓	✓	✓	✓
	 Sliding Doors	✓	✓		
	 Drawers	✓	✓	✓	
POWER	Power Source	12/24 VAC/VDC**	12 or 24 VDC**	24 VDC**	12/24 VDC**
	12 VDC	260 mA	240 mA / 700 mA (Preload option)		300 mA
	24 VDC	130 mA	120 mA / 350 mA (Preload option)	84 mA	150 mA
CREDENTIAL SUPPORT	multiCLASS SE				
	13.56 MHz iCLASS SE				
	13.56 MHz ISO 1443A				
	PIV-I				
	125 kHz Prox				
	Mobile Access				
	Keypad				
MONITORING	Locked State	✓* (LM)	✓* (LBSM)		✓* (Bondstat)
	DPS (Door Position State)				
	Tamper				
	LED Low Battery Indicator				
	Battery Supervision				
OPTIONS	Cam Rotation				
	Mechanical Key Override		✓* (KO)		
	Preload Capable (up to 15 lbs)		✓* (Preload)	✓	✓

						
	HES KP20	HES K100	HES K200	HES KS-M	HES KS100	HES KS200/KS210
	Stand-alone	Aperio® Wireless	Integrated Wired Wiegand	Mechanical	Aperio® Wireless	Integrated Wired Wiegand or RS-485 OSDP
	150 lbs	150 lbs	150 lbs	350 lbs	350 lbs	350 lbs
	✓	✓	✓	✓	✓	✓
		✓* (OBS-622)	✓* (OBS-622)			
	3x AAA alkaline*	2x AA lithium (included)	12/24 VDC**		2x AA lithium (included)	12/24 VDC**
			226 mA			130 mA
			118 mA			130 mA
		✓***	✓***		✓***	✓***
		✓***	✓***		✓***	✓***
		✓***	✓***		✓***	✓***
		✓***	✓***		✓***	✓***
		✓	✓		✓	✓
	✓					
		✓	✓		✓	✓
	✓	✓	✓		✓	✓
		✓	✓		✓	✓
		✓*	✓*	✓* (SFIC)	✓* (SFIC)	✓* (SFIC)

\*Optional, specify when ordering or ordered separately. \*\*Securitron and LifeSafety Power offer a wide range of linear and switching power supplies to protect and enhance the performance of any electrified access control component. Visit [securitron.com](http://securitron.com) or [lifesafetypower.com](http://lifesafetypower.com) to learn more. \*\*\*Visit [hesinnovations.com](http://hesinnovations.com) for full list of card technologies and credentials.

The ASSA ABLOY Group is the global leader in access solutions. Every day we help people feel safe, secure and experience a more open world.

**ASSA ABLOY**  
Opening Solutions



800 626 7590 | [hesinnovations.com](https://www.hesinnovations.com)

**SECURITRON**

800 626 7590 | [securitron.com](https://www.securitron.com)

Printed in the U.S.A.

Patent pending and/or patent [www.assaabloyss.com/patents](https://www.assaabloyss.com/patents)

Copyright © 2022, Hanchett Entry Systems, Inc., an ASSA ABLOY Group company. All rights reserved. Reproduction in whole or in part without the express written permission of Hanchett Entry Systems, Inc. is prohibited. EMS-22-0622