

Securitron® SAM Shear Aligning Magnalock®

1,200 lbs holding force,
shear aligning Magnalock



Hidden strength at any angle for any application.

This concealed Magnalock is ideal for traffic control or medium security and with its flexible mounting options solutions the most challenging door control situations. The SAM Shear Aligning Magnalock has mounting options for a single door or each leaf on a pair of doors and can be on a sliding, in-swing, out-swing or swing-through door. It mounts fully concealed into wood, steel, aluminum or Herculite doors in any position: at the header, door edge or threshold.

Features

Standard Features

- Efficient, low power usage
- Automatic dual-voltage—no field adjustment required
- Fully sealed for weatherproof operations
- Rust resistant—all ferrous metal surfaces plated for durability
- Instant release circuit—no residual magnetism
- Noise suppression with included MOV
- Recessed for aesthetically appealing finish
- 10 ft [3.05m] of jacketed, stranded conductor cable
- Direct mount in door frame for strength and reliability
- MagnaCare® lifetime replacement, no fault, no questions asked warranty

Optional Features

- **B** Patented BondSTAT magnetic bond sensor
- **D** Integrated Door Position Switch (DPS)



Grade 2



MagnaCare
Warranty



Auto Sensing
Dual Voltage
12/24

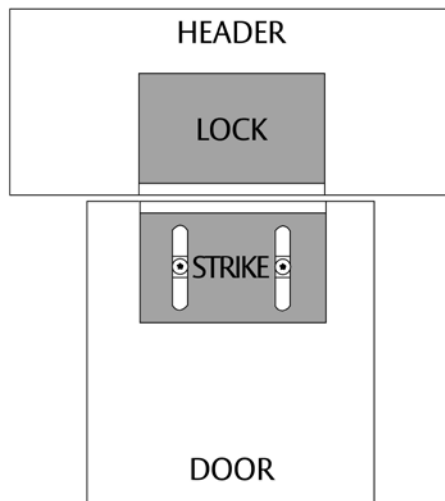
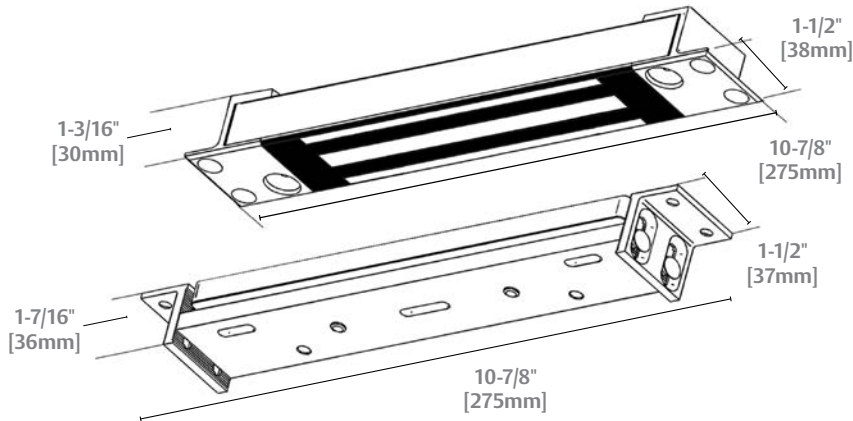


Fire Rated



Preload

Dimensions



Specifications

Certifications

- UL 10C Listed
- CAN4-S104, CAN/ULC-S533 Listed
- ANSI/UL 294 Listed
- ANSI/BHMA A156.23, Grade 2; E08561-1000, E08571-1000, E08581-1000, E08591-1000
- CSFM—California State Fire Marshal Approved
- CE:EN 50081-1(92), EN 61000-6-2(99) Approved

Dimensions

- **Magnalock:** 10-7/8"L x 1-3/16"D x 1-1/2"H
- **Strike:** 10-7/8"L x 1-7/16"D x 1-1/2"H

Electrical

- 320 mA at 12 VDC
- 170 mA at 24 VDC

Holding Force

- 1,200 lbs [544kg]

Operating Temperature

- -40 to +140F [-40 to +60C]
- Indoor or Outdoor use
- Not for use in open channel doors

Shipping Weight

- 6 lbs [2.72kg]

How to Order

Model Series	Monitoring Options
SAM	BD
SAM 1,200 lbs	(blank) No Monitoring
	B BondStat Monitor
	D Door Position Switch