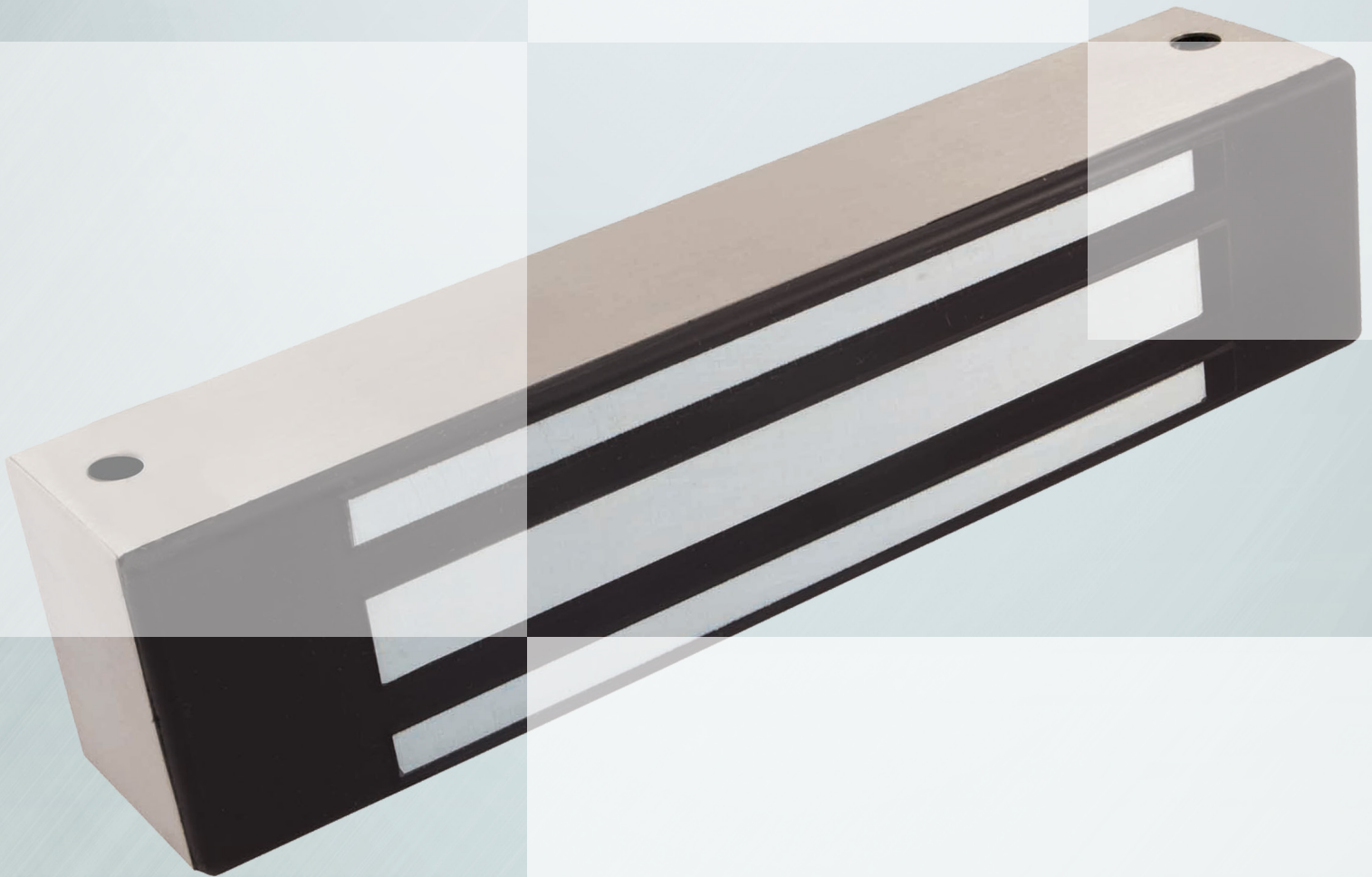


# SECURITRON<sup>®</sup> M32 Magnalock<sup>®</sup>

**ASSA ABLOY**  
Opening Solutions

Experience a safer  
and more open world



The ASSA ABLOY Group is the global leader in access solutions. Every day we help people feel safe, secure and experience a more open world.

## Standard Features

- Ultra-secure collapsing blind nuts mount to the door frame for strength and reliability
- Fully sealed for weatherproof operations
- 10 ft. (3.05m) of jacketed, stranded conductor cable
- Automatic dual voltage - no field adjustment required
- Instant release circuit - no residual magnetism
- Noise suppression with included MOV
- Efficient, low power usage
- Rust resistant - All ferrous metal surfaces plated for durability
- MagnaCare® lifetime replacement, no fault, no questions asked warranty
- PoE friendly
- Sustainability documentation
- Size optimized for use with door closers

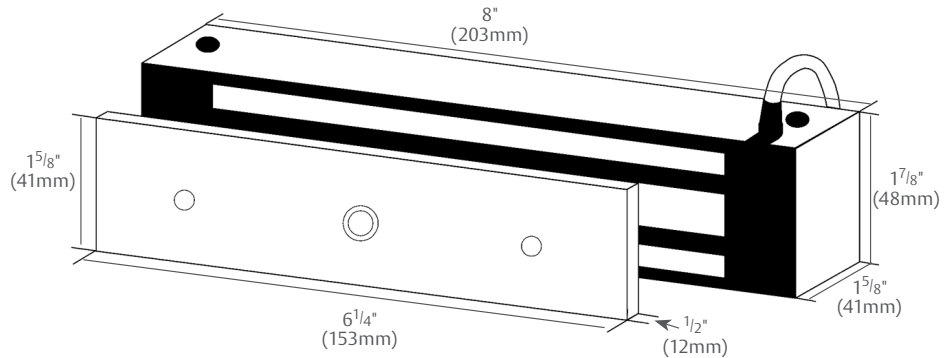
## Optional Features

- F Face drilled
- B Patented BondSTAT magnetic bond sensor
- D Integrated Door Position Switch (DPS)
- SS Split Strike

ASSA ABLOY Opening Solutions  
Glass Solutions  
Rockwood, PA 15557  
www.assaabloyglass.us  
855 594 6989

ASSA ABLOY Opening Solutions  
Door Security Solutions Canada  
Vaughan, ON L4K 4T9  
www.assaabloydss.ca  
800 461 3007

Copyright © 2017, 2021, ASSA ABLOY Accessories and Door Controls Group, Inc. All rights reserved. Reproduction in whole or in part without the express written permission of ASSA ABLOY Accessories and Door Controls Group, Inc. is prohibited. Printed in the U.S.A.



## Technical Specifications

### Materials:

- Satin Stainless Steel

### System:

- Magnalock®: MAG-M32BD
- Holding Force: 600lbs (272kg)
- BondSTAT™ magnetic bond sensor – Patented (MBS)
- Integrated door position switch (DPS)
- Dimensions:
  - Magnalock: 8" L x 1<sup>5</sup>/<sub>8</sub>" D x 1<sup>7</sup>/<sub>8</sub>" H
  - Strike: 6<sup>1</sup>/<sub>4</sub>" L x 1<sup>1</sup>/<sub>2</sub>" D x 1<sup>5</sup>/<sub>8</sub>" H
- Electrical:
  - 300mA at 12VDC
  - 150mA at 24VDC
- Operating Temperature: -40 to +140F (-40 to +60C) Indoor or Outdoor use
- Shipping weight: 6 lbs. (2.72kg)

### Certifications:

- UL 10C Listed
- CAN4-S104, CAN/ULC-S533 Listed
- ANSI/UL 294 Listed
- CSA-C22.2 No.205 Listed
- ANSI/BHMA A156.23, Grade 3; E08501-500
- CSFM- California State Fire Marshal Approved
- CE:EN 50081-1(92), EN 61000-6-2(99) Approved
- Environmental Product Declaration
- Health Product Declaration

### Finish Options:

- Satin Stainless Steel (US32D/630)

### Dress Covers:

- Specify MAG-DC32 x finish
  - Bright Stainless Steel (US32/629)
  - Clear Anodized Aluminum (US28/628)
  - Satin Black Anodized Aluminum (US19/335)

