



# NEW PRODUCT NEWS

## 4K PTZ REMOTE CAMERA (NDI®|HX) KY-PZ510NW/NB

## 4K PTZ REMOTE CAMERA KY-PZ510W/B



4K60P H.265/HEVC streaming, NDI® 5, SRT, and advanced auto tracking provides optimal image quality and performance for remote production over the internet.

CONNECTED CAM™

4K

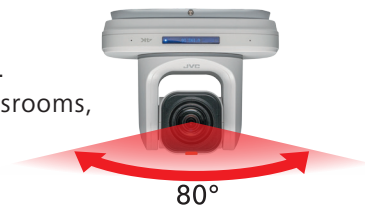
NDI|HX

SRT  
SECURE  
RELIABLE  
TRANSPORT

H.265/  
HEVC

### ■ Super-Wide 80-degree Field of View

Focal Length is 3.47mm to 41.7mm (21.8 mm to 261.8 mm, 35mm equivalent). Super-wide horizontal angle of view is 80° which is ideal for use in offices, classrooms, studios, event facilities, sports venues and houses of worship.



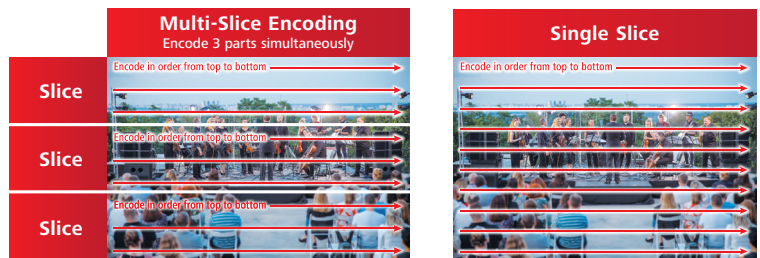
### ■ 4K60p H.265/HEVC Streaming



Ultra-high resolution 4K60p streaming is ideal for viewing sports and events. Highly efficient H.265/HEVC compression technology also produces similar or better image quality than H.264 at 50% of the bitrate.

### ■ Multi-Slice Encoding Technology

Multi-slice encoding technology increases performance and efficiency while reducing latency to achieve optimal image quality of live transmissions in 4K60p HEVC mode.



### ■ NDI® 5



NDI® 5 provides plug-and-play LAN network system connectivity between the KY-PZ510N (Built-in NDI®|HX) and supported hardware. The cameras can also be controlled by network devices supporting NDI 5.

### ■ SRT



SRT advanced streaming technology uses automatic repeat request (ARQ) and forward error correction (FEC) to prevent packet loss typical for optimal internet content delivery. SRT also offers stream encryption for secure content protection.

### ■ SMART Auto Tracking

SMART (Subject Movement And Recognition Tracking) technology enables the camera to recognize and follow a specific person even within a small group in the frame. The target subject can be selected using the included remote control.



### ■ Still Image Capture

Up to four still images can be recorded internally. This is useful for storing the image from the camera's current location or recalling its previous field of view.

### ■ Supported Remote Controls (Remote Production over the Internet)

Remote Camera Controller  
RM-LP100



Live Streaming  
Production Suite  
KM-IP6000/4000  
Series



## ■ IP Address Display

Display of the IP address in front of the camera for easy identification and confirmation.

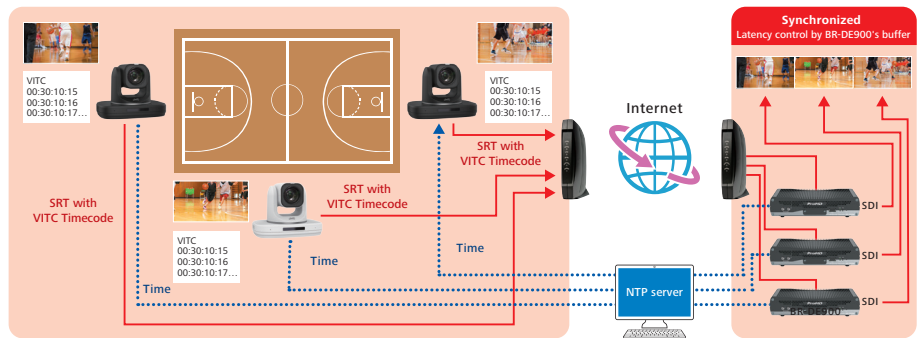


## ■ UVC (USB Video Class)

Support for Webcam Usage , H.264 4K30p25p , MJPEG 4K30p25p.

## ■ Multi-Camera Synchronization with VITC and NTP

Multi-camera synchronization of live video streams is made possible with the VITC (Vertical Interval Time Code) and NTP (Network Time Protocol) used in 1080 60p mode. This feature is ideal for the mixing and streaming of concerts, shows, and sporting events where image synchronization is critical.

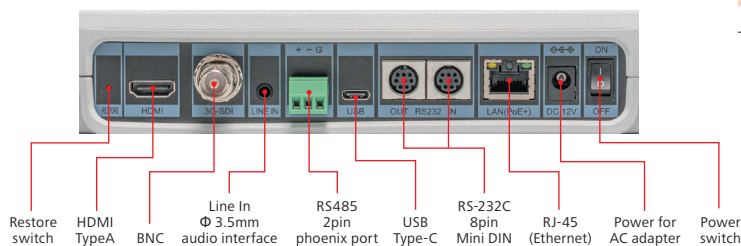


## ■ General Specification

Camera	
Sensor	1/2.8 inch, CMOS, effective pixels: 8.40M
Lens	Optical Zoom 12x, F1.8 to F3.7, f = 3.47mm to 41.7mm ( 21.8 mm to 261.8 mm, 35mm equivalent )
Digital Zoom	Off, 4x, 8x, 16x
Minimal Illumination	0.5lx @ (F1.8, AGC ON)
Gain	0 dB to 45 dB
Shutter	[60Hz] 1/30s ~ 1/10000s [50Hz] 1/25s ~ 1/10000s
White Balance	Auto, indoor, outdoor, one push, manual
Angle of View	Horizontal: 80° to 7.5°, Vertical: 49.9° to 4.3°
Rotation Range	Horizontal ±162.5°, Vertical -30° to +90°
Pan Tilt Speed	PAN: 1.8°/s to 80.5°/s, TILT: 1.5°/s to 49°/s
Image	H/V flip, Image freeze, H/V auto inverting function
Preset Accuracy	Number of presets: 255, Preset accuracy: 0.1°

Input / Output Interfaces	
HDMI Output	TYPE A, Max 3840x2160/ 60p, 50p
3G-SDI Output	BNC type (3G-SDI), Embedded audio Video: SMPTE 424M, SMPTE 292M Audio: SMPTE 299M, Max 1920x1080, 60p, 50p
Network Interface (LAN)	RJ-45 (Ethernet): 1000BASE-T/100BASE-TX
Audio Interface	stereo mini jack φ 3.5mm
USB	Type-C for UVC (Host mode is not supported), Including UAC UVC Ver1.0 - Ver1.5 MJPEG/H.264 MAX: 3840x2160/30p25p
Communication Interface	RS-232C 8pin Mini DIN, RS485 2pin phoenix port

## ■ Rear Panel

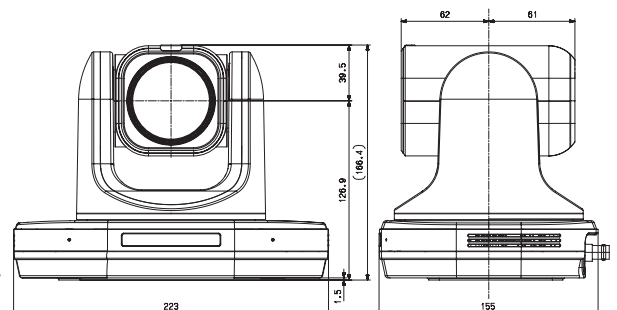


NDI® is a registered trademark of Vizrt Group.  
Product and company names mentioned here are trademarks or registered trademarks of their respective owners. HDMI, the HDMI logo and High-Definition Multimedia Interface are trademarks or registered trademarks of HDMI Licensing LLC.  
QR Code is a registered trademark of Denso Wave Incorporated.

Simulated pictures. Values for weight and dimensions are approximate. E.&O.E. Design and specifications subject to change without notice. Copyright © 2021, JVCKENWOOD Corporation. All Rights Reserved.

Network	
Video Compression	H.265/HEVC, H.264, MotionJPEG
Video Stream	<b>Main Stream</b> Resolution: 640x360 to 3840x2160, Frame Rate: 25p to 60p <b>Sub Stream</b> Resolution: 320x240 to 720x480, Frame Rate: 25p to 60p
Streaming Protocol	<b>RTSP/RTMP</b> H.264: 3840x2160/60p50p/60Mbps with VITC H.265: 3840x2160/60p50p(MultiSlice)/60Mbps with VITC 3840x2160/30p25p(SingleSlice)/60Mbps with VITC MJPEG: 1920x1080/60p50p <b>RTMP, RTMPS</b> H.264: 3840x2160/60p50p/60Mbps <b>SRT</b> H.264: 3840x2160/60p50p/60Mbps with VITC H.265: 3840x2160/60p50p(MultiSlice)/60Mbps with VITC 3840x2160/30p25p(SingleSlice)/60Mbps with VITC <b>NDI® 5 (KY-PZ510N built in NDI® HX)</b> H.264: 3840x2160/60p50p/60Mbps H.265: 3840x2160/60p50p(MultiSlice)/60Mbps 3840x2160/30p25p(SingleSlice)/60Mbps
Remote Protocol	NDI, Standard, Pelco, JVC (WEB API, RM-LP100)
VITC, superimposition on streaming	RTSP, SRT, UDP 4K/60p support

Generic Specification	
LED	Tally in top of lens : Green x1, Red x1, Power in front : Blue x1
Power	DC12V (AC adapter), PoE+ (IEEE802.3at standard)
Power consumption	14.5W or less
Temperature	Operating: 0°C ~ 40°C Storage: -40°C ~ 60°C
Humidity	Operating: 30% to 80% Storage: Under 85%
Dimensions (W x H x D)	223.0mm x 166.4 x 155.0mm
Net Weight	Approx. 2.0 kg



DISTRIBUTED BY

For Instruction Manual

JVC Professional Video website



[http://www32.jvckenwood.com/jvc/manual\\_e/index.asp](http://www32.jvckenwood.com/jvc/manual_e/index.asp)



USA  
pro.jvc.com



Europe  
eu.jvc.com/pro