

VWM SERIES

Versatile low profile wall cabinet, with comprehensive flexibility to fit system needs today and as technology evolves.

FEATURES

- Configurable platform maximizes space and expertly handles the highest density of components
- Component mounting flexibility to tailor the cabinet for the needs of the system. Modular options for mounting equipment of all sizes and form factors:
 - Rackrail-fixed and pivoting rackrail options that include 10-32 threaded and cage nut mounting options
 - Lever Lock™ to mount small devices including extenders, power supplies, electronic door lock controllers and compact power solutions in the cabinet's backpan or door
 - Backpans available in various overall depths (10" or 16") and overall heights (36" and 42")
- Two door options to enable the desired level of system security. Both accommodate electronic locks and integrators can determine the client's level of access to the system:
 - Split door enables end user access to controls and features a locking angled plexiglass top for installations where visibility is desired or solid top for those where it should be restricted
 - Solid door prevents any user access or visibility
- Design the VWM cabinet to the needs of the specific job or application at www.middleatlantic.com or choose a pre-configured model.
- Available in black, white and putty finish
- Backpan shall have a 150 lb. weight capacity, optional door shall have a 30 lb. weight capacity

OPTIONS

- Brush grommet shall be model # VWM-6BR-BP
- Optional bonding kit for UL-2416 (NWIN) compliance shall be PET-K-VWM-FAN when used with fans



Vertical Wall Cabinet

VWM SERIES

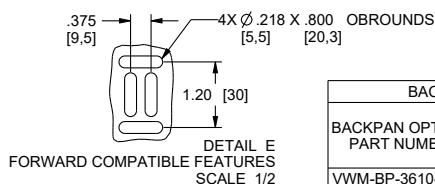
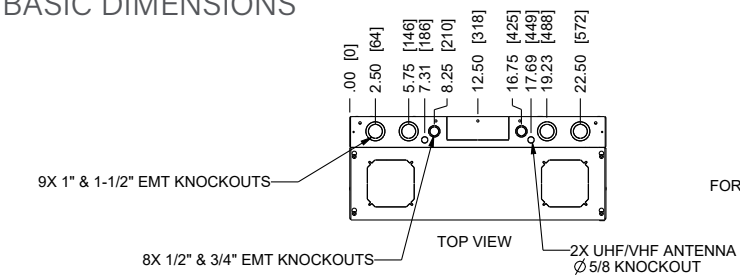
SPECIFICATIONS

EIA compliant 19" vertical wall cabinet shall be Middle Atlantic Products model # VWM-___ (refer to chart). Overall dimensions shall be ___" W x ___" H x ___" D (refer to chart). VWM Series shall be fully welded, constructed of steel and finished in a durable ___(black, putty, white, refer to chart) powder coat. VWM Series shall have a weight capacity of 150 lbs. VWM series shall have a backpan capable of accommodating LeverLock small device mounting brackets, power distribution, fixed rail shall have a weight capacity of 150 lbs. and pivoting rail shall have a weight capacity of 20 lbs. with ___ (refer to chart) rackspaces, all rail to be 10-32 threaded and cage nut in universal EIA spacing with black e-coat finish. VWM Series Rackrail shall be adjustable left to right and top to bottom within the constraints of the backpan mounting positions and provide a maximum usable depth of ___" (refer to chart). VWM series shall include a 2-gang electrical box and 1/4-20 grounding and bonding stud. VWM Series backpan shall have 4 qty 4-1/2" fan knockouts. VWM Series cable management features shall include abundant cable tie points and knockouts on top, bottom and sides for electrical connections. VWM Series shall accept split front door with solid or pexiglass pivoting section with each section keyed separately, model # VWM-S_D-___-___ (refer to chart) or solid front door, model # VWM-SD-___-___ (refer to chart). VWM Series front door shall accept Leverlock small device mounting bracket, model # LL-VWM-___S_(refer to chart) with a weight capacity of 30 lbs. VWM series shall include one pair of power mounting brackets that accept PDT and PD Series slim vertical power. VWM Series shall be available preconfigured, model # VWM-___ and include front door, rackrail, and be finished in a durable ___ powder coat (refer to chart). VWM Series shall be UL Listed to UL 2416 in the US and CSA C22.2 No. 60950-1 in Canada. VWM Series shall be manufactured by an ISO 9001 and ISO 14001 registered company. Rack shall be warrantied to be free from defects in material or workmanship under normal use and conditions for the lifetime of the product.



VWM SERIES

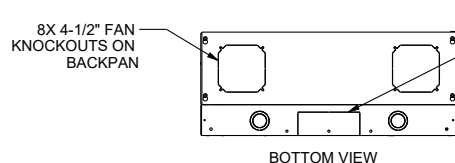
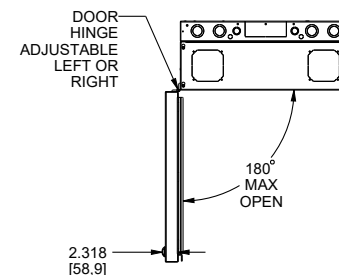
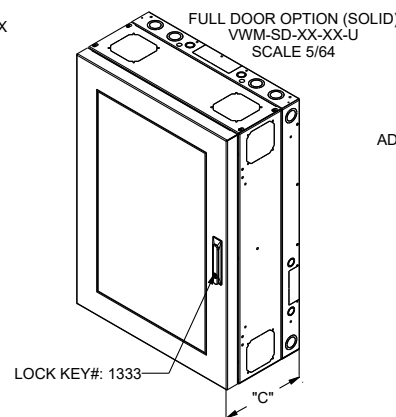
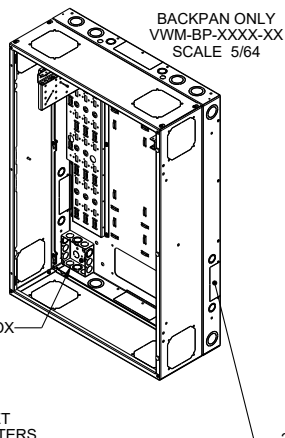
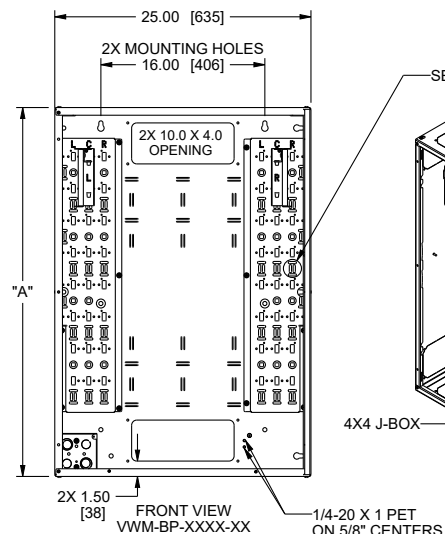
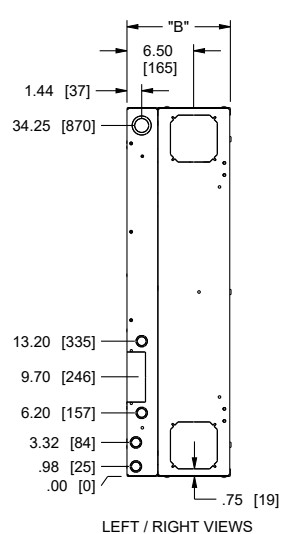
BASIC DIMENSIONS



REV	DESCRIPTION	REV BY	REV DATE	APPD BY	DATE APP.
-	PRODUCTION RELEASE	///	////	AP	09/27/16
A	EC-9263: UPDATED VIEWS WITH NEW DESIGN	DDL	01/19/17	MC	01/19/17
B	EC-9815: ADDED LEVERLOCK NOTE	DDL	07/17/17	MC	07/17/17
C	EC-15204: DOOR PINS CHANGED - REMOVED -U	JMS	12/18/20	JJP	12/18/20
D	EC15553 ADDED SECOND BONDING STUD, COVER PLATE HOLES, & FWD FEATURES	RA	02/09/23	JJP	02/09/23

BACKPAN OPTIONS			FULL DOOR OPTIONS	
BACKPAN OPTIONS PART NUMBER	"A" HEIGHT	"B" DEPTH	FULL DOOR OPTIONS PART NUMBER	"C" OVERALL DEPTH W/BACKPAN
VWM-BP-3610-XX	36 [914]	10 [254]	VWM-SD-36-XX	12 [305]
VWM-BP-3616-XX	36 [914]	16 [406]	VWM-SD-36-XX	18 [457]
VWM-BP-4210-XX	42 [1067]	10 [254]	VWM-SD-42-XX	12 [305]
VWM-BP-4216-XX	42 [1067]	16 [406]	VWM-SD-42-XX	18 [457]

"XX" INDICATES COLOR SELECTION
"PW" = PUTTY; "BW" = BLACK; "WT" = WHITE

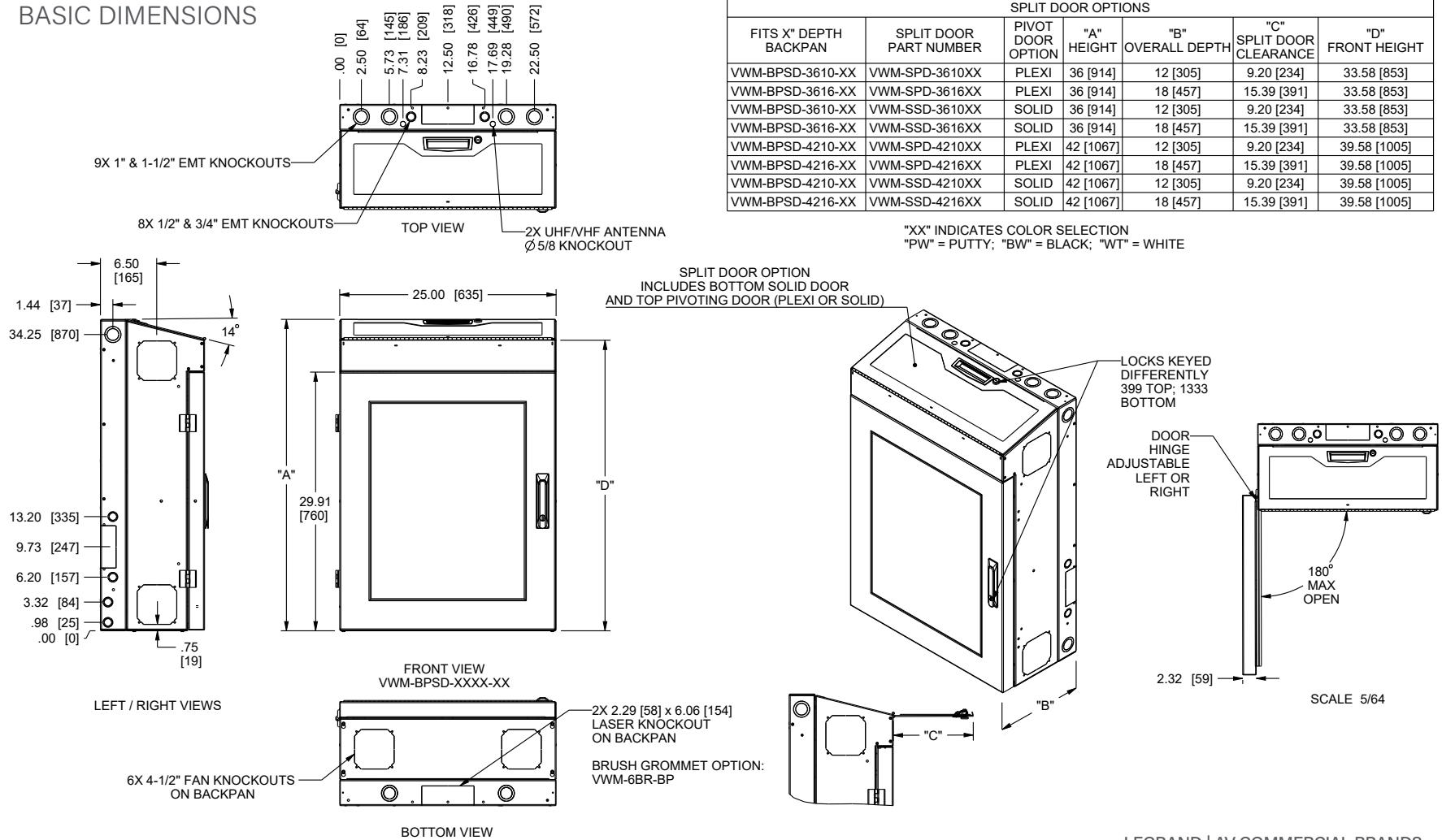


ALL DIMENSIONS ARE EXPRESSED IN THE FORM IN[MM]

LEGRAND | AV COMMERCIAL BRANDS
C2G | Chief | Da-Lite | Luxul | Middle Atlantic | Vaddio | Wiremold

VWM SERIES

BASIC DIMENSIONS



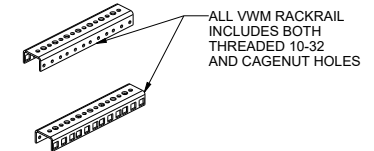
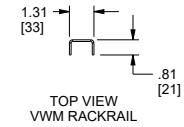
SPLIT DOOR OPTIONS						
FITS X" DEPTH BACKPAN	SPLIT DOOR PART NUMBER	PIVOT DOOR OPTION	"A" HEIGHT	"B" OVERALL DEPTH	"C" SPLIT DOOR CLEARANCE	"D" FRONT HEIGHT
VWM-BPSD-3610-XX	VWM-SPD-3610XX	PLEXI	36 [914]	12 [305]	9.20 [234]	33.58 [853]
VWM-BPSD-3616-XX	VWM-SPD-3616XX	PLEXI	36 [914]	18 [457]	15.39 [391]	33.58 [853]
VWM-BPSD-3610-XX	VWM-SSD-3610XX	SOLID	36 [914]	12 [305]	9.20 [234]	33.58 [853]
VWM-BPSD-3616-XX	VWM-SSD-3616XX	SOLID	36 [914]	18 [457]	15.39 [391]	33.58 [853]
VWM-BPSD-4210-XX	VWM-SPD-4210XX	PLEXI	42 [1067]	12 [305]	9.20 [234]	39.58 [1005]
VWM-BPSD-4216-XX	VWM-SPD-4216XX	PLEXI	42 [1067]	18 [457]	15.39 [391]	39.58 [1005]
VWM-BPSD-4210-XX	VWM-SSD-4210XX	SOLID	42 [1067]	12 [305]	9.20 [234]	39.58 [1005]
VWM-BPSD-4216-XX	VWM-SSD-4216XX	SOLID	42 [1067]	18 [457]	15.39 [391]	39.58 [1005]

"XX" INDICATES COLOR SELECTION
"PW" = PUTTY; "BW" = BLACK; "WT" = WHITE

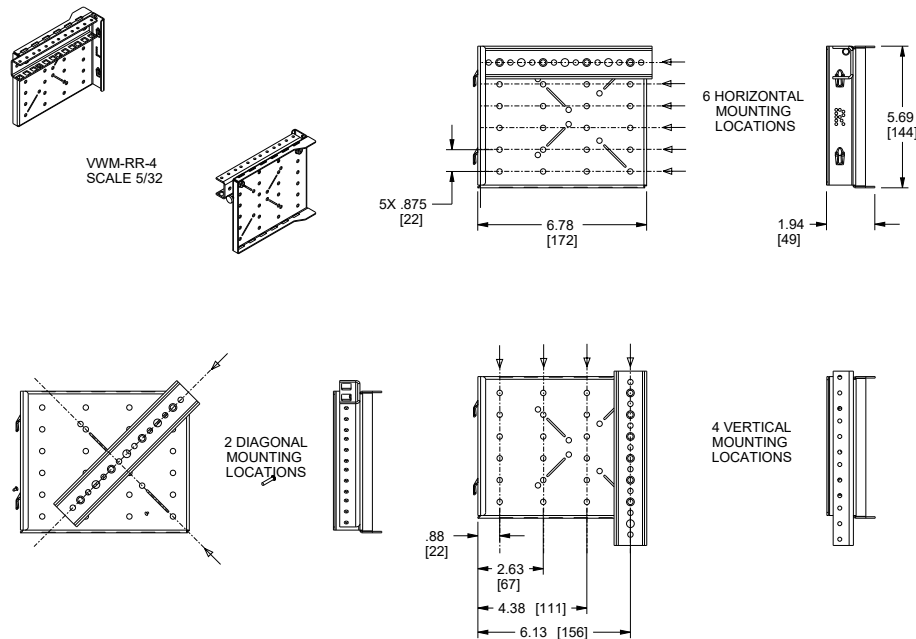
VWM SERIES

BASIC DIMENSIONS

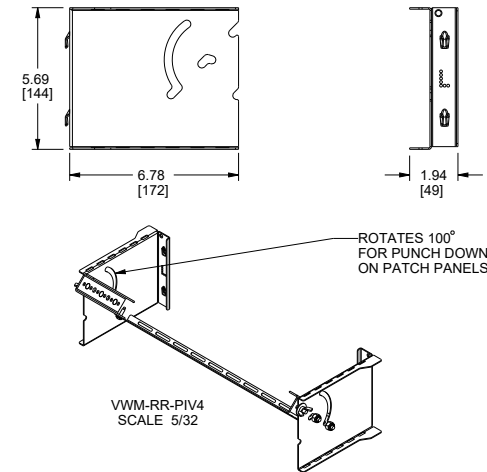
RACKRAIL OPTIONS					
PART NUMBER	BRACKET TYPE	USABLE RACKSPACES	MOUNTING CONFIGURATIONS	FITS 10" DEEP BACKPAN WITH DOOR OPTION?	FITS 16" DEEP BACKPAN WITH DOOR OPTION?
VWM-RR-2	FIXED	2	HORIZONTAL VERTICAL DIAGONAL	YES	YES
VWM-RR-4	FIXED	4		YES	YES
VWM-RR-5	FIXED	5		YES	YES
VWM-RR-6	FIXED	6		NO	YES
VWM-RR-8	FIXED	8		NO	YES
VWM-RR-PIV-2	PIVOTING	2	- 45°	YES	YES
VWM-RR-PIV-4	PIVOTING	4		YES	YES



VWM FIXED MOUNTING BRACKET RIGHT RAIL POSITION OPTIONS



VWM PIVOTING MOUNTING BRACKET LEFT



ALL DIMENSIONS ARE EXPRESSED IN THE FORM IN[MM]

LEGRAND | AV COMMERCIAL BRANDS
C2G | Chief | Da-Lite | Luxul | Middle Atlantic | Vaddio | Wiremod

WHAT GREAT SYSTEMS ARE BUILT ON™ | legrandav.com

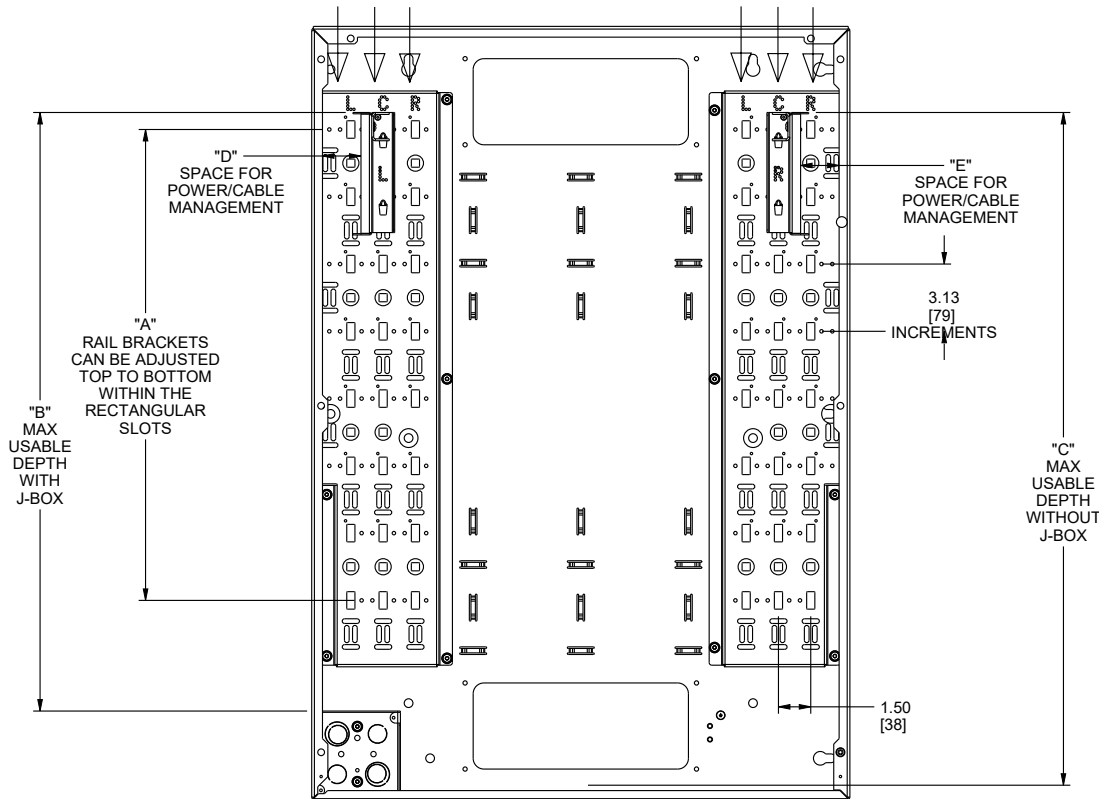
USA 800.266.7225 av.middleatlantic.support@legrand.com CANADA 888.766.9770 av.middleatlantic.support@legrand.com

VWM SERIES

BASIC DIMENSIONS

MOUNTING BRACKET ADJUSTABILITY

RAIL BRACKETS CAN BE JUSTIFIED LEFT, CENTER, OR RIGHT



RACKRAIL MOUNTING BRACKET ADJUSTABILITY			
PART NUMBER	"A" RANGE OF ADJUSTABILITY	"B" MAXIMUM USABLE DEPTH WITH J-BOX	"C" MAXIMUM USABLE DEPTH W/O J-BOX
VWM-36-XX-XX	21.88 [556]	27.80 [706]	31.47 [799]
VWM-42-XX-XX	27.88 [708]	33.80 [859]	37.47 [952]

NOTE: MAXIMUM USABLE DEPTH ASSUMES FIXED MOUNTING BRACKET IS ASSEMBLED IN THE TOP-MOST POSITION AND RACKRAIL IS ASSEMBLED HORIZONTALLY IN THE TOP-MOST POSITION

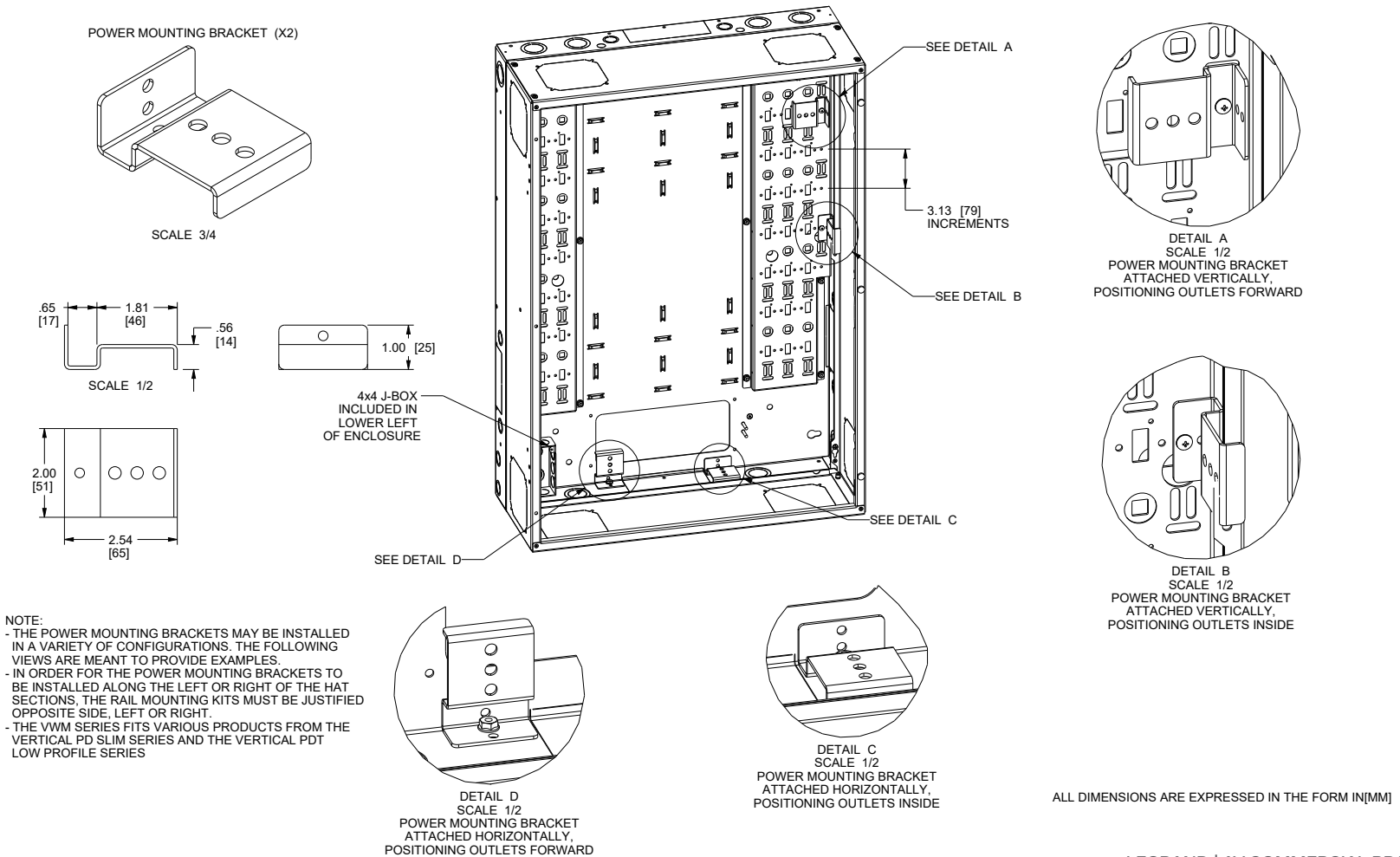
RACKRAIL MOUNTING BRACKET LOCATION	"D" SPACE FOR POWER/CABLE MANAGEMENT	"E" SPACE FOR POWER/CABLE MANAGEMENT
LEFT	0.29 [7]	3.29 [84]
CENTER	1.79 [45]	1.79 [45]
RIGHT	3.29 [84]	0.29 [7]

LEGRAND | AV COMMERCIAL BRANDS

C2G | Chief | Da-Lite | Luxul | Middle Atlantic | Vaddio | Wiremold

VWM SERIES

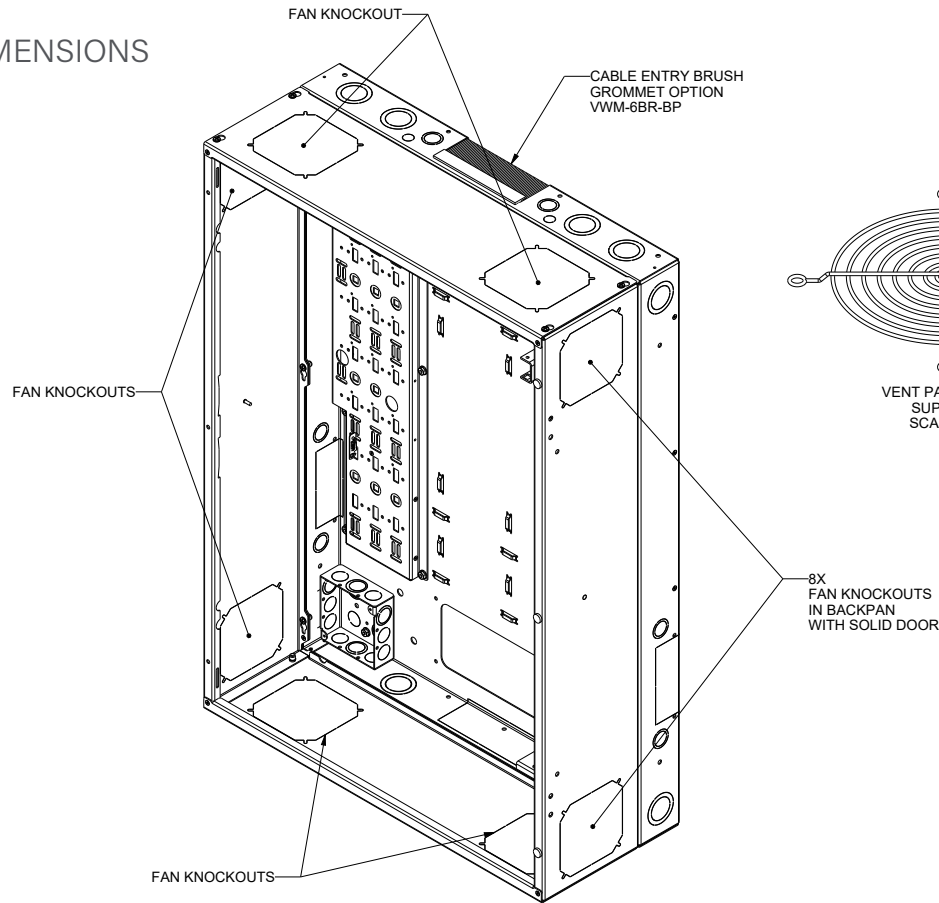
BASIC DIMENSIONS



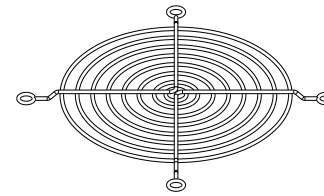
LEGRAND | AV COMMERCIAL BRANDS
C2G | Chief | Da-Lite | Luxul | Middle Atlantic | Vaddio | Wiremold

VWM SERIES

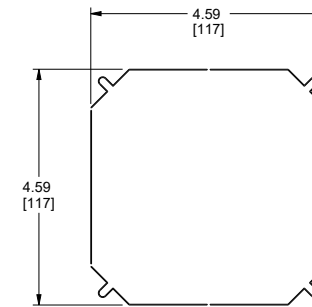
BASIC DIMENSIONS



TOTAL FAN KNOCKOUTS	
PRODUCT CONFIGURATION	TOTAL # OF FAN KNOCKOUTS
BACKPAN WITH SOLID DOOR	8
BACKPAN WITH SPLIT DOOR	6



VENT PANELS (X4)
SUPPLIED
SCALE 1/2



SCALE 1/2
FAN/VENT KNOCKOUT

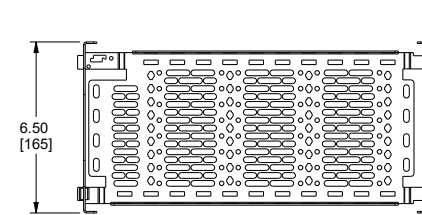
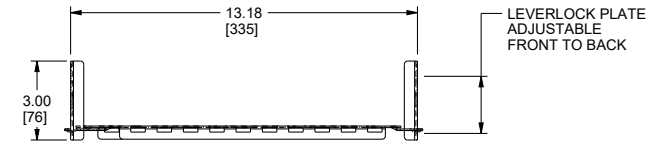
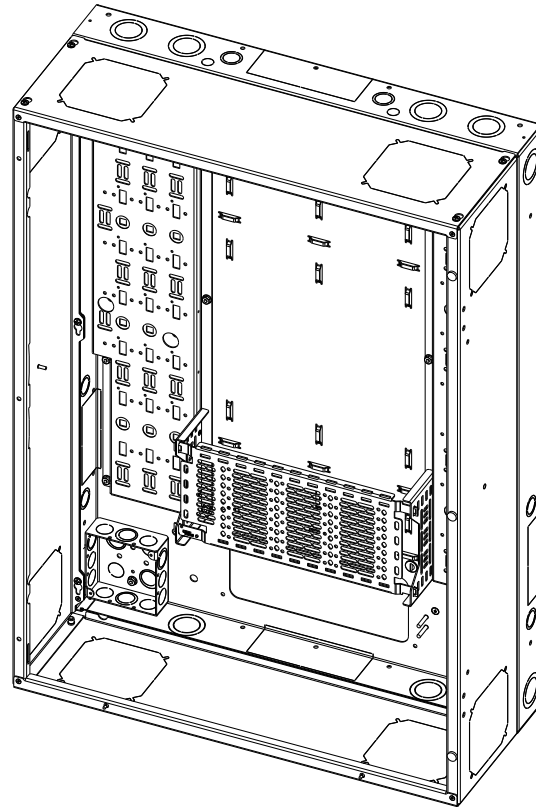
ALL DIMENSIONS ARE EXPRESSED IN THE FORM IN[MM]

LEGRAND | AV COMMERCIAL BRANDS
C2G | Chief | Da-Lite | Luxul | Middle Atlantic | Vaddio | Wiremold

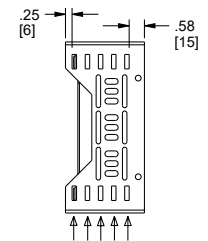
VWM SERIES

BASIC DIMENSIONS

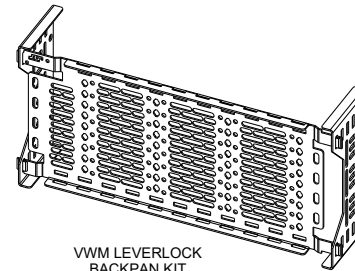
NOTE: ALL BACKPAN OPTIONS HAVE 3 MOUNTING POSITIONS FOR VWM LEVERLOCK KITS (LL-VWM-BPK), HOWEVER ALL BACKPAN OPTIONS WILL ACCEPT A MAXIMUM OF 2 VWM LEVERLOCK KITS (LL-VWM-BPK) ONE LEVERLOCK KIT (LL-VWM-BPK) INCLUDED WITH EACH BACKPAN.



SCALE 1/4



LEVERLOCK PLATE
ADJUSTABLE IN 5 POSITIONS
FRONT TO BACK OF BRACKET



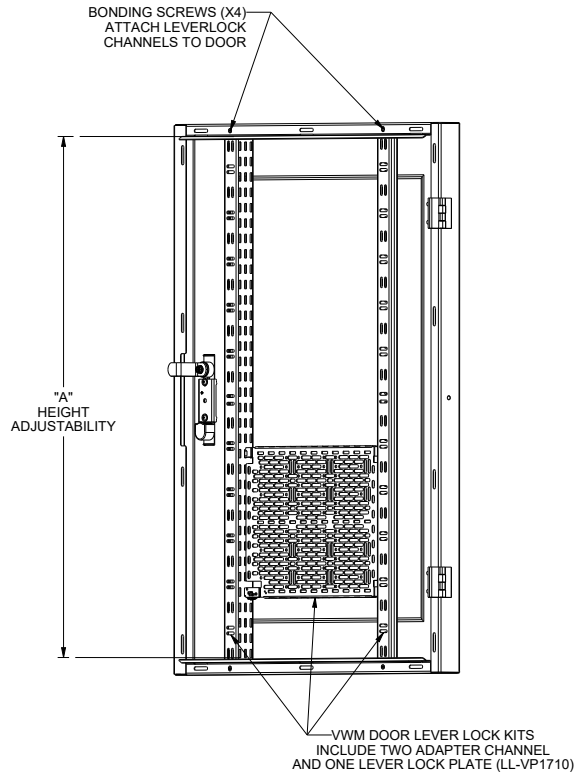
VWM LEVERLOCK
BACKPAN KIT
LL-VWM-BPK
SCALE 1/4

ALL DIMENSIONS ARE EXPRESSED IN THE FORM IN[MM]

LEGRAND | AV COMMERCIAL BRANDS
C2G | Chief | Da-Lite | Luxul | Middle Atlantic | Vaddio | Wiremold

VWM SERIES

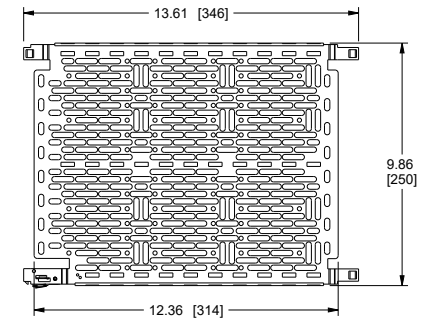
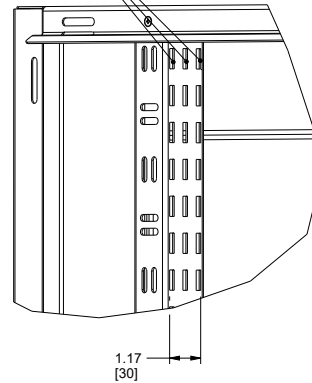
BASIC DIMENSIONS



LEVER LOCK DOOR KITS		
PART NUMBER	FITS	"A" HEIGHT ADJUSTABILITY
LL-VWM-36SP	36 SPLIT DOOR	27.55 [686]
LL-VWM-36S-42SP	36 SOLID/42 SPLIT	33.55 [852]
LL-VWM-42S	42 SOLID DOOR	39.55 [1005]

ANY VERTICAL 17" LEVER LOCK OPTION (LL-VX17)
WILL FIT HORIZONTALLY BETWEEN THE VWM DOOR
LEVER LOCK ADAPTER CHANNEL

3 SLOTS
FOR ADJUSTABILITY
FRONT TO BACK



SCALE 1/4
LL-VP1710 INCLUDED
IN VWM DOOR LEVER LOCK KITS

SCALE 3/8
LEVER LOCK
ADAPTER CHANNEL
DETAIL VIEW

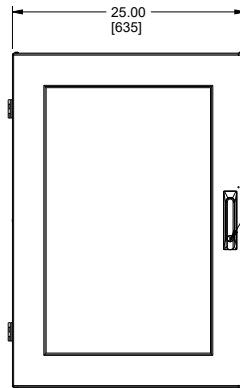
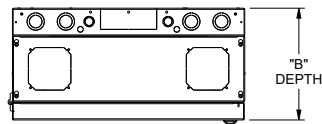
ALL DIMENSIONS ARE EXPRESSED IN THE FORM IN[MM]

VWM SERIES

BASIC DIMENSIONS

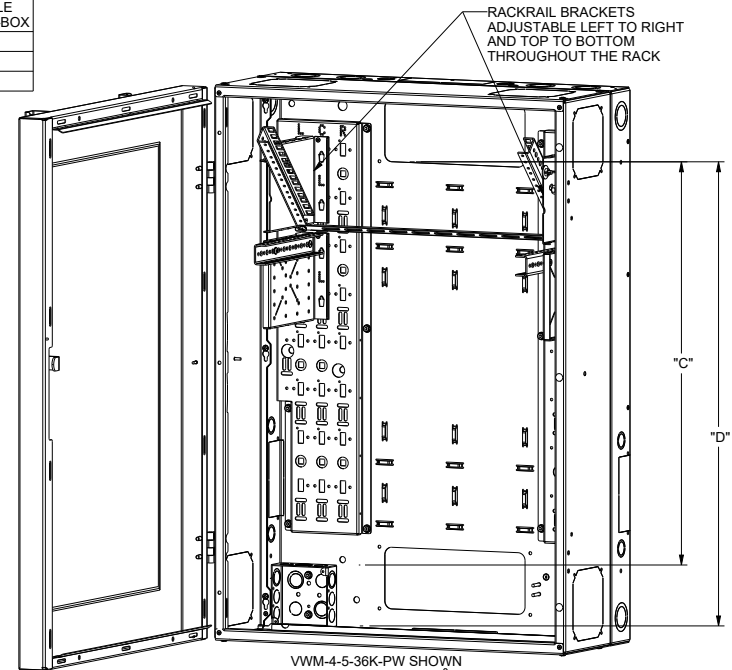
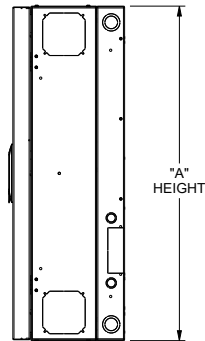
PRE-CONFIGURED HORIZONTAL DISTRIBUTION RACKS							
PART NUMBER	COLOR	USABLE PIVOT RACKSPACES	FIXED RACKSPACES	"A" HEIGHT	"B" DEPTH	"C" MAXIMUM USABLE DEPTH WITH J-BOX	"D" MAXIMUM USABLE DEPTH WITHOUT J-BOX
VWM-2-2-36K-PW	PUTTY	2	2	36 [914]	12 [305]	27.80 [706]	31.47 [799]
VWM-4-5-36K-PW	PUTTY	4	5	36 [914]	12 [305]	27.80 [706]	31.47 [799]
VWM-4-5-42K-PW	PUTTY	4	5	42 [1067]	12 [305]	33.80 [859]	37.47 [952]

NOTE: MAXIMUM USABLE DEPTH ASSUMES FIXED MOUNTING BRACKET IS ASSEMBLED IN THE TOP-MOST POSITION AND RACKRAIL IS ASSEMBLED HORIZONTALLY IN THE TOP-MOST POSITION



SCALE 3/32

LOCK KEY#: 1333



VWM-4-5-36K-PW SHOWN WITH DOOR OPEN 90° (MAX OPEN 180°)

ALL DIMENSIONS ARE EXPRESSED IN THE FORM IN[MM]

LEGRAND | AV COMMERCIAL BRANDS

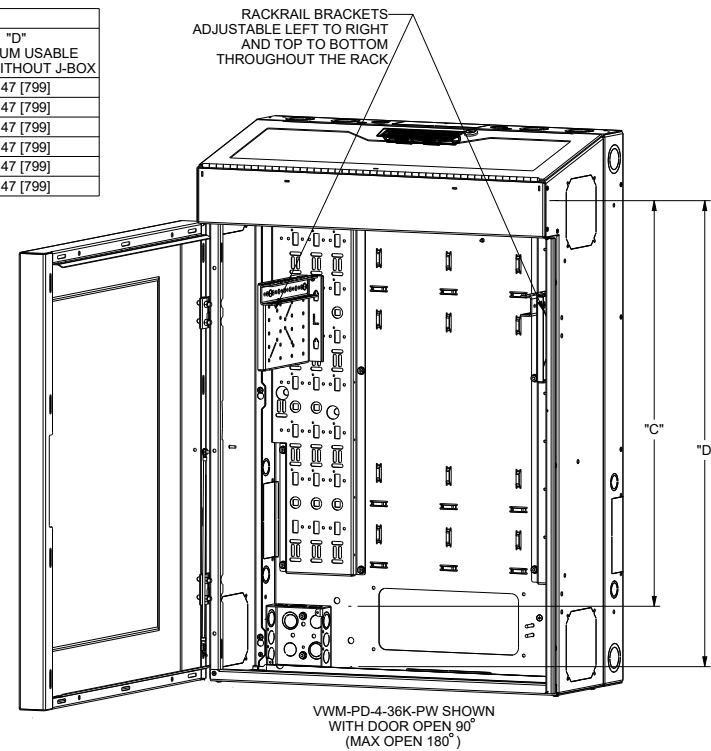
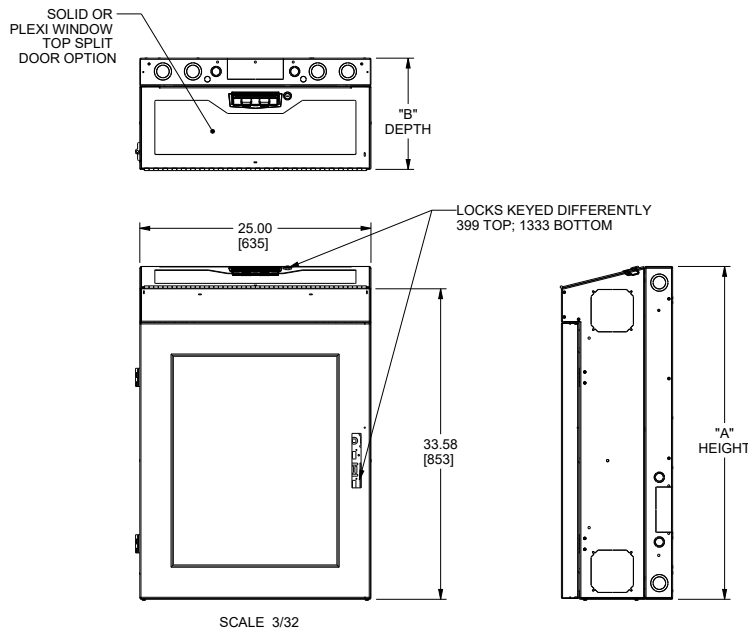
C2G | Chief | Da-Lite | Luxul | Middle Atlantic | Vaddio | Wiremold

VWM SERIES

BASIC DIMENSIONS

PRE-CONFIGURED LOW PROFILE WALL RACKS							
PART NUMBER	COLOR	TOP SPLIT DOOR	FIXED RACKSPACES	"A" HEIGHT	"B" DEPTH	"C" MAXIMUM USABLE DEPTH WITH J-BOX	"D" MAXIMUM USABLE DEPTH WITHOUT J-BOX
VWM-SD-4-36K-BW	BLACK	SOLID	4	36 [914]	12 [305]	27.80 [706]	31.47 [799]
VWM-SD-6-36K-BW	BLACK	SOLID	6	36 [914]	18 [457]	27.80 [706]	31.47 [799]
VWM-SD-8-36K-BW	BLACK	SOLID	8	36 [914]	18 [457]	27.80 [706]	31.47 [799]
VWM-PD-4-36K-PW	PUTTY	PLEXI	4	36 [914]	12 [305]	27.80 [706]	31.47 [799]
VWM-PD-6-36K-PW	PUTTY	PLEXI	6	36 [914]	18 [457]	27.80 [706]	31.47 [799]
VWM-PD-8-36K-PW	PUTTY	PLEXI	8	36 [914]	18 [457]	27.80 [706]	31.47 [799]

NOTE: MAXIMUM USABLE DEPTH ASSUMES FIXED MOUNTING BRACKET IS ASSEMBLED IN THE TOP-MOST POSITION AND RACKRAIL IS ASSEMBLED HORIZONTALLY IN THE TOP-MOST POSITION



ALL DIMENSIONS ARE EXPRESSED IN THE FORM IN[MM]

LEGRAND | AV COMMERCIAL BRANDS
C2G | Chief | Da-Lite | Luxul | Middle Atlantic | Vaddio | Wiremold

WHAT GREAT SYSTEMS ARE BUILT ON™ | legrandav.com

USA 800.266.7225 av.middleatlantic.support@legrand.com CANADA 888.766.9770 av.middleatlantic.support@legrand.com

©2023 Legrand AV Inc. 96_012241 Rev C 3/23 Middle Atlantic is a registered trademark of Legrand AV Inc. All other brand names or marks are used for identification purposes and are trademarks of their respective owners. All patents are protected under existing designations. Other patents pending.