

BGR-SA SERIES 19" STANDALONE ENCLOSURES

The #1 AV Enclosure with innovative installation and servicing features designed to save time and labor.

FEATURES

- All BGRs are now equipped with the revolutionary Forward rackrail giving you the ability to use Forward blank panels, vent panels, horizontal cable management and vertical cable management
- Provides more rackspace in a smaller overall height than similar racks
- Accepts patented Lever Lock™ tool free and hardware free internal device and cable management system accessories
- Fully welded construction provides the following weight capacities: UL Listed load capacity: 3,000 lbs., Seismic certified capacity: 1,175 lbs.
- Pre-threaded ganging holes allow for rack joining after loading
- Rackrail depth indicators
- 1/2", 3/4", 1" & 1-1/2" electrical knockouts and 5/8" and 1/2" D UHF/VHF antennae knockouts on rear top & bottom, easily removable for cable pass-through. Top cable management plate (38 space and up) includes 1/2", 3/4", 1" 1-1/2" & 3" electrical knockouts and 5/8" and 1/2" D UHF/VHF antennae knockouts
- 23" OD width, multiple depths
- Two pairs of 11-gauge, Forward rackrail with numbered rackspace increments
- Optional stackable 3" extender bay available for front and rear
- Optional curved and beveled front doors in solid, vented and plexiglass styles
- Front and Rear Doors include a swing handle installed in an industry standard 25mm wide x 150mm high cutout.
- Attractive interior bevels
- Configurable open top with vertical cable management entry points
- Durable black textured powder coat finish
- Seismic certified (when used with BGR-Z4 or BGR-ISO-Z4 option) with an Ip value of 1.5
- UL Listed in the US and Canada



BGR shown with curved door



BGR shown with beveled door

BGR-SA SERIES 19" STANDALONE ENCLOSURES

OPTIONS

- Lever Lock™ tool free and hardware free internal device and cable management system accessories shall be model # LL-XXYY (XX = type, YY = size, refer to middleatlantic.com for additional details)
- Curved front doors shall be model # VFD-XXA (vented, 64% open area), PFD-XXA (plexi), (XX= # of rackspaces)
- Beveled front doors shall be model # BFD-XX (solid), BVFD-XX (vented, 64% open area), BPDF-XX (plexi), (XX= # of rackspaces)
- Front or Rear Extender, adds 3" of usable depth, model # BGR-__-EXT3 (41,45)
- Cable Chase option mounts in between BGR racks and has a 4.4" width. Model # shall be BGR-CC-XXFB (XX = # of rackspaces) for the Front and Back panels and BGR-CC-YYLT (YY = Rack Depth) for the Top panel with LKOs
- Cable entry rear door, shall be model # BGR-RDC__ (19, 25, 38, 41, 45)
- Inner platform base shall be BS-BGR
- Caster kit shall add 1" to overall height, include four casters with a 1,100 lb. weight capacity, and shall be model # CBS-BGR
- Forward UPS Caster Base shall be FWD-CBS-2KVA-BGRXX and have a weight capacity of 1,038 lbs. and raise total rack height 7.42" (XX=Depth)
- Forward UPS Base shall be FWD-BS-2KVA-BGRXX and raise total rack height 5.66" (XX=Depth)
- Rear rail kit shall be model # FWD-BGR-RRXX (XX=# of rackspaces)
- Seismic Zone 4, Seismic Use Group III and Seismic Design Category "D" compliancy kit shall be model # BGR-Z4
- Seismic Zone 4, Seismic Use Group III and Seismic Design Category "D" compliancy and isolation kit shall be model # BGR-ISO-Z4
- Seismic Zone 4, Seismic Use Group III and Seismic Design Category "D" riser bases shall be SRB-(1,2,3)-BGR-(32, 38)24
- Isolation kit shall be model # BGR-ISO
- Front decorative trim shall be BGR-TRIM__ (45,41,38, 25, 19) and shall include the following colors: Green (pre-installed), Red, Black, Blue & White

BGR-SA SERIES 19" STANDALONE ENCLOSURES

SPECIFICATIONS

EIA compliant 19" gangable equipment rack shall be Middle Atlantic Products model #BGR-__-__(see chart for available models). Overall dimensions of BGR shall be __"H x 23"W x __"D (refer to chart). Useable height of BGR shall be __ rackspaces, useable depth shall be __" (refer to chart). BGR shall come equipped with two pairs of fully adjustable steel rackrail with two 10-32 threaded holes per side of each marked rackspace, and a cage-nut style mount that is compatible with tool-free Forward Series rackmount accessories. BGR rackrail shall include cable management lacing provisions and accept tool-free Forward Series cable management accessories. BGR shall have .100" thick steel along rackrail brackets, .310" thick steel at corners. BGR shall include vented locking and latching rear door, which shall be capable of accepting up to six 4-1/2" fans. Top and bottom of BGR shall feature vertical slotted vent pattern for ventilation. BGR shall have two 1" x 7" rear obround knockouts with 1/2", 1", 1-1/4" and 1-1/2" electrical knockouts and 5/8" and 1/2" D UHF/ VHF antennae knockouts in base and top. BGR shall have a configurable open top with vertical cable management entry points. BGR shall accept patented LeverLock™ tool free and hardware free internal cable and device management system accessories. BGR shall have pre-threaded 5/16"-18 ganging holes. BGR shall be capable of ganging while fully loaded, using bolts only. BGR shall have marked rackrail depth indicators. BGR shall be of fully welded construction. BGR shall be finished in an environmentally friendly, durable black powdercoat. Grounding and bonding studs shall be 1/4-20 threaded, installed in top and base of enclosure (19 and 25 space have stud in bottom only). Fully welded construction shall provide a UL Listed load capacity of 3,000 lbs. BGR Series enclosures shall satisfy the 1997 UBC; 2001, 2007 & 2010 CBC; 2000, 2003, 2006 & 2009 IBC; ASCE 7-02, ASCE 7-05, ASCE 7-10 and the 2003, 2006 & 2009 editions of NFPA 5000 for use in areas of high seismicity, Seismic Use Group III, Zone 4 or Seismic Design Category (SDC) "D" with lateral force requirements for protecting 1,175 lbs. of essential equipment in locations with the highest level of seismicity and top floor or rooftop installations with an Importance factor (Ip) of 1.5 when used with BGR-Z4 or BGR-ISO-Z4 (isolated) seismic floor anchor bracket. BGR shall be OSHPD approved for fixed equipment anchorage in California healthcare facilities. BGR shall be UL Listed in the US and Canada. BGR shall be GREENGUARD Gold Certified. BGR shall be manufactured by an ISO 9001 and ISO 14001 registered company. BGR enclosure shall be warranted to be free from defects in material or workmanship under normal use and conditions for the lifetime of the rack.

| Part # | Rackspaces | "A" Overall Height | "B" Racking Height | "C" Depth | "D" Useable Depth |
|-------------|------------|-----------------------|-----------------------|--------------|----------------------|
| BGR-19SA-27 | 19 | 37.375 [949] | 33.375 [848] | 27 [686] | 24.4 [620] |
| BGR-25SA-27 | 25 | 47.875 [1216] | 43.875 [1114] | 27 [686] | 24.4 [620] |
| BGR-38SA-27 | 38 | 70.625 [1794] | 66.625 [1692] | 27 [686] | 24.4 [620] |
| BGR-41SA-27 | 41 | 75.875 [1927] | 71.875 [1826] | 27 [686] | 24.4 [620] |
| BGR-45SA-27 | 45 | 82.875 [2105] | 78.875 [2003] | 27 [686] | 24.4 [620] |
| BGR-25SA-32 | 25 | 47.875 [1216] | 43.875 [1114] | 32 [812] | 29.4 [747] |
| BGR-38SA-32 | 38 | 70.625 [1794] | 66.625 [1692] | 32 [812] | 29.4 [747] |
| BGR-41SA-32 | 41 | 75.875 [1927] | 71.875 [1826] | 32 [812] | 29.4 [747] |
| BGR-45SA-32 | 45 | 82.875 [2105] | 78.875 [2003] | 32 [812] | 29.4 [747] |



PRODUCT CERTIFIED FOR
LOW CHEMICAL EMISSIONS
UL.COM/GG
UL 2818



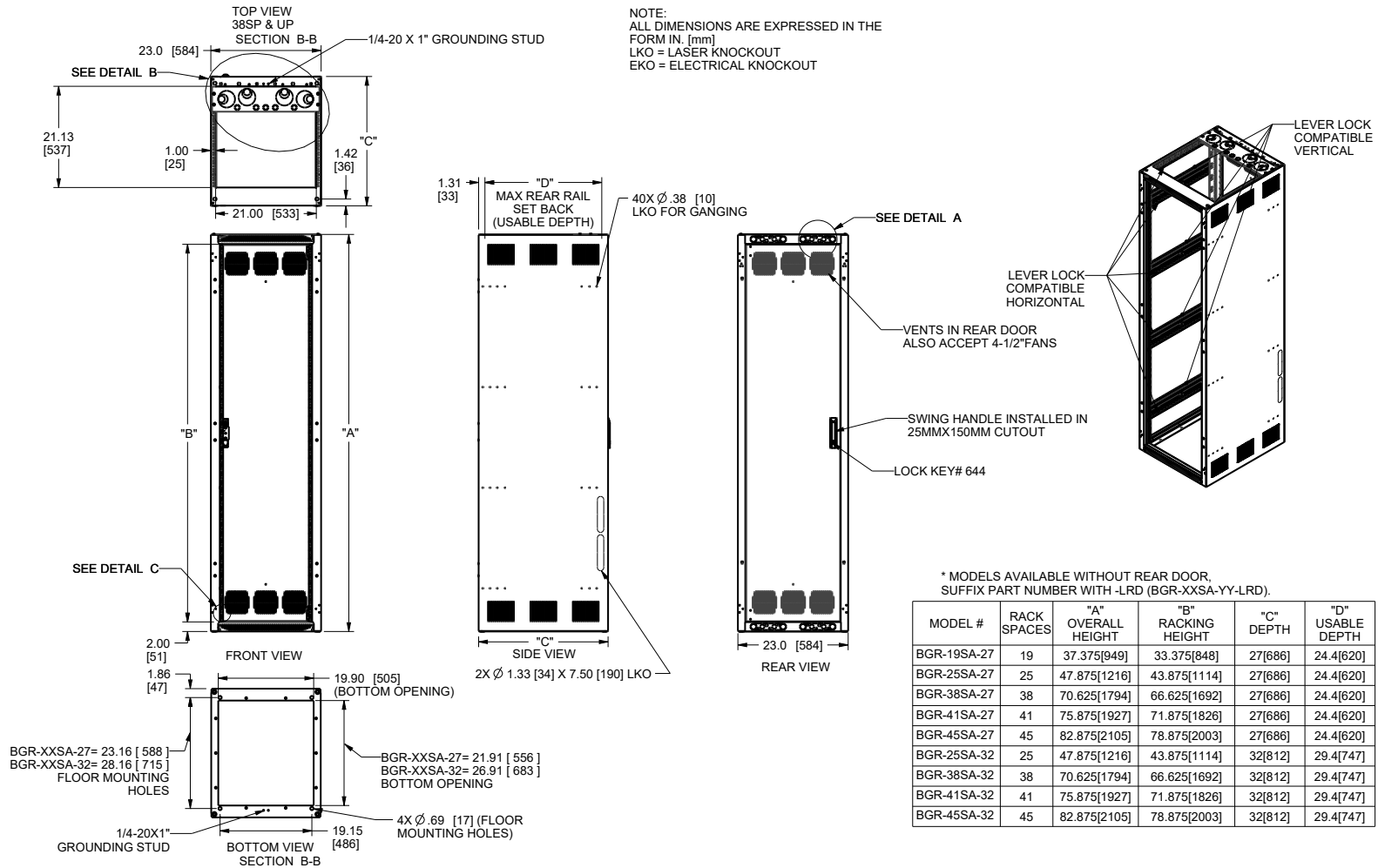
EIA/TIA COMPLIANT

SEISMIC CERTIFIED



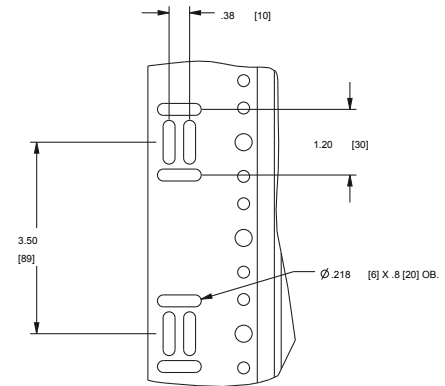
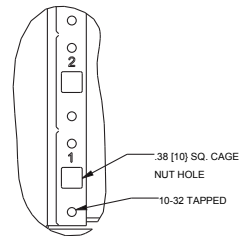
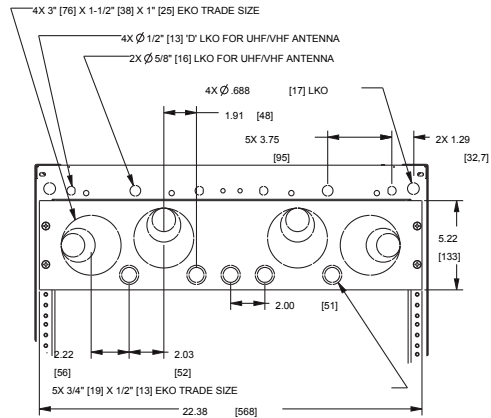
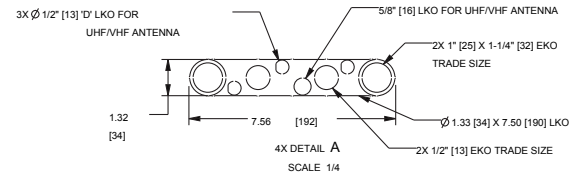
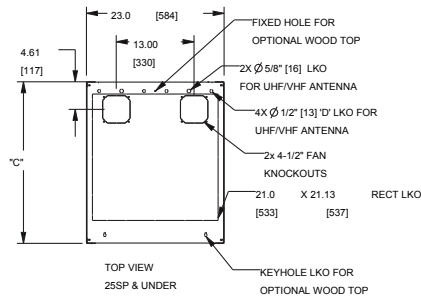
BGR-SA SERIES

BASIC DIMENSIONS



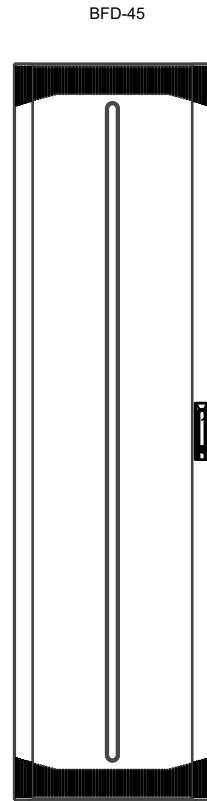
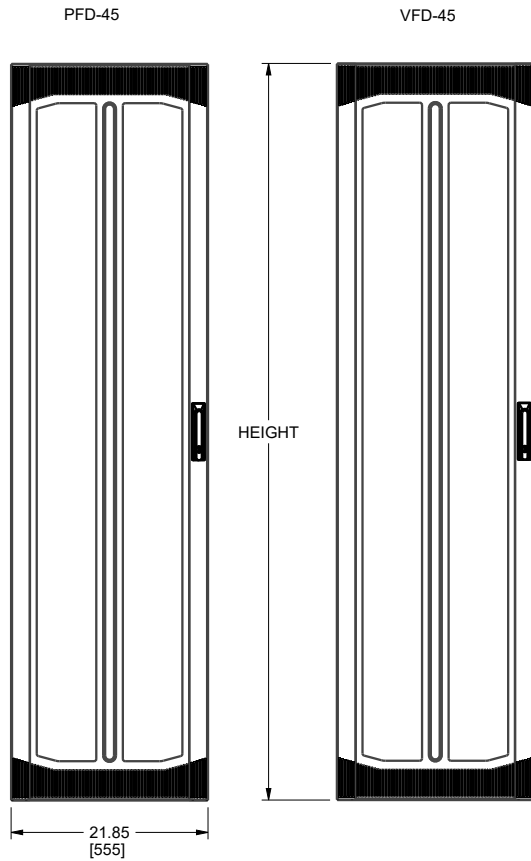
BGR-SA SERIES

BASIC DIMENSIONS

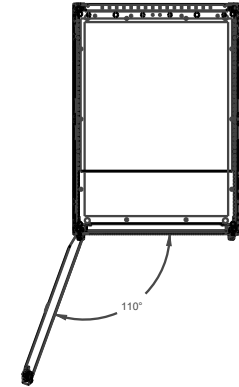
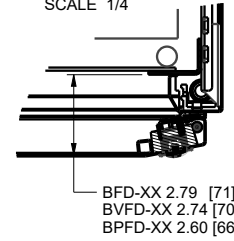


BGR-SA SERIES

CURVED & BEVELED DOORS BASIC DIMENSIONS



CLEARANCE FROM FRONT OF RAIL TO INSIDE OF DOOR
SECTION B-B
SCALE 1/4



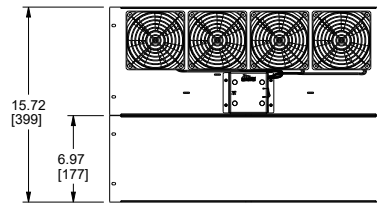
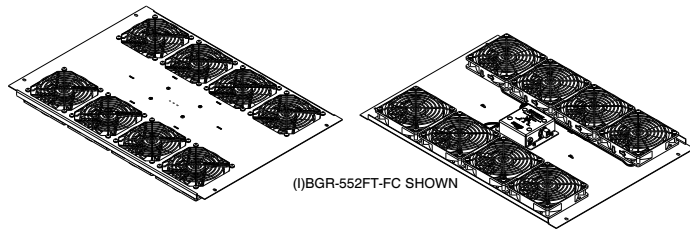
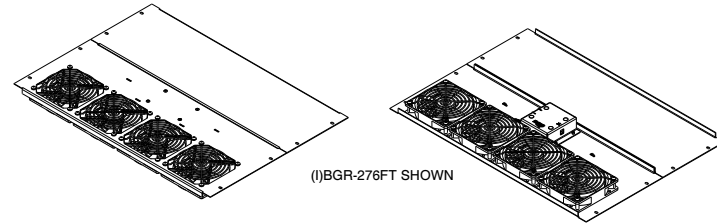
| SOLID DOOR | VENTED DOOR | PLEXI DOOR | RACK SPACES | HEIGHT |
|------------|-------------|------------|-------------|--------------|
| BFD-19 | BVFD-19 | BPFD-19 | 19 | 36.22 [920] |
| BFD-25 | BVFD-25 | BPFD-25 | 25 | 46.72 [1187] |
| BFD-38 | BVFD-38 | BPFD-38 | 38 | 69.47 [1765] |
| BFD-41 | BVFD-41 | BPFD-41 | 41 | 74.72 [1898] |
| BFD-45 | BVFD-45 | BPFD-45 | 45 | 81.72 [2076] |

NOTE(S):
1) ALL DIMENSIONS ARE IN THE FORMAT IN [MM]
2) DOOR OPENS TO 110°

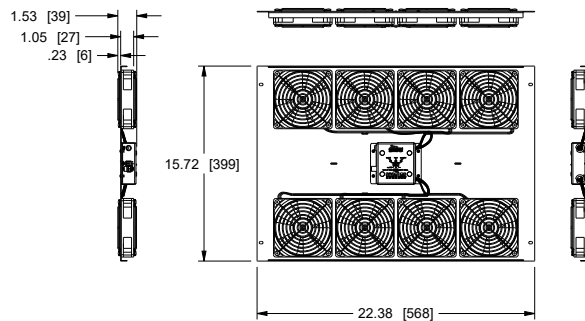
BGR-SA SERIES

FAN TOPS BASIC DIMENSIONS

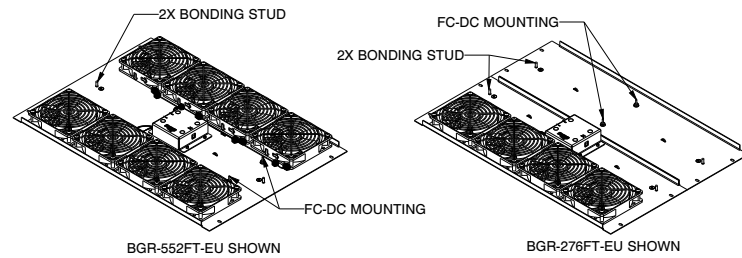
| PART NUMBER | FAN CONTROL | FAN QUANTITY | AIRFLOW CFM [M3/MIN] | NOISE @ FULL SPEED | CURRENT DRAW |
|-----------------|-------------|--------------|----------------------|--------------------|---------------|
| (I)BGR-276FT | | 4 | 276 [7.8] | 35 dBA | 620mA @ 12VDC |
| (I)BGR-276FT-FC | X | 4 | 276 [7.8] | 35 dBA | 620mA @ 12VDC |
| (I)BGR-552FT | | 8 | 552 [15.6] | 38 dBA | 1.24A @ 12VDC |
| (I)BGR-552FT-FC | X | 8 | 552 [15.6] | 38 dBA | 1.24A @ 12VDC |
| BGR-276FT-EU | | 4 | 276 [7.8] | 35 dBA | 620mA @ 12VDC |
| BGR-552FT-EU | | 8 | 552 [15.6] | 38 dBA | 1.24A @ 12VDC |



NOTE(S):
 1. ALL DIMENSIONS SHOWN: IN [MM]
 2. TURN ON TEMPERATURE FOR FAN CONTROLLED MODELS CAN BE SET AT 75F (24C), 80F (27C), 85F (29C), OR 90F (32C). ALARM CAN BE SET AT 95F (35C) OR 100F (38F).
 3. "I" PREFIX INDICATES INTERNATIONAL FAN TOP MODELS. "EU" SUFFIX INDICATES EUROPEAN FAN TOP MODELS. INTERNATIONAL & EUROPEAN MODELS COME WITH A UNIVERSAL VOLTAGE PLUG-IN POWER SUPPLY AND ADAPTERS.

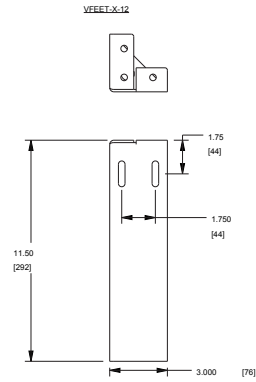
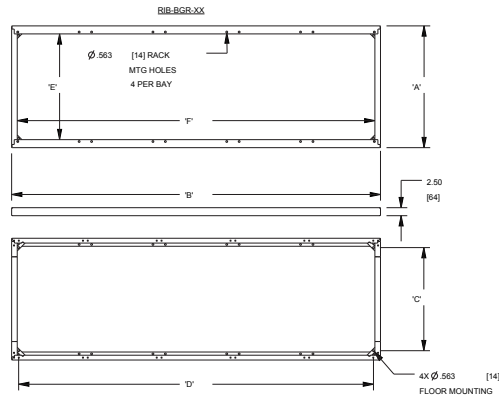


BGR-276FT-EU & BGR-552FT-EU ONLY

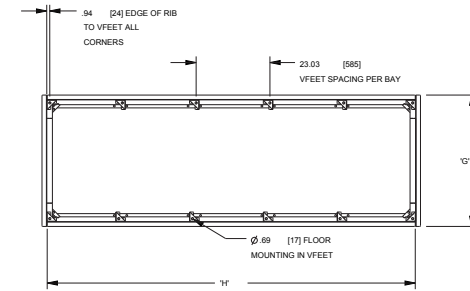
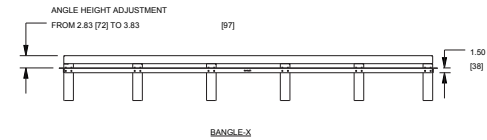


BGR-SA SERIES

RISER BASES BASIC DIMENSIONS



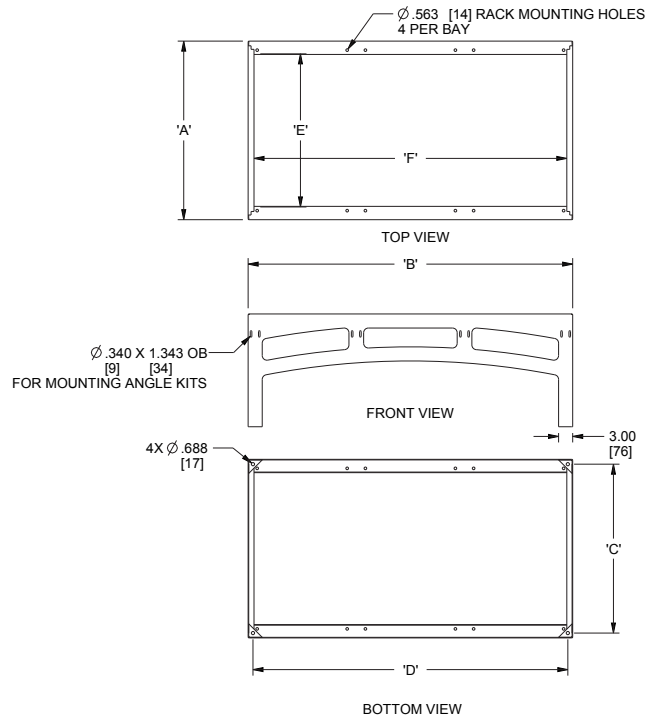
NOTE(S):
1. DIMENSION FORMAT SHOWN IN [MM]
2. 27", 32" AND 38" DEEP MODELS ARE REPRESENTED IN THIS DRAWING.
(RIB-X-BGR-27 / RIB-X-BGR-32 / RIB-X-BGR-38)



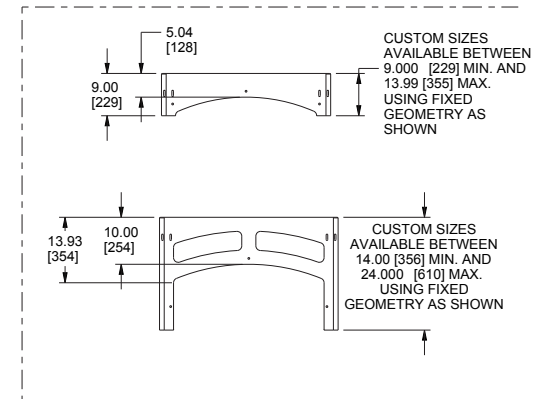
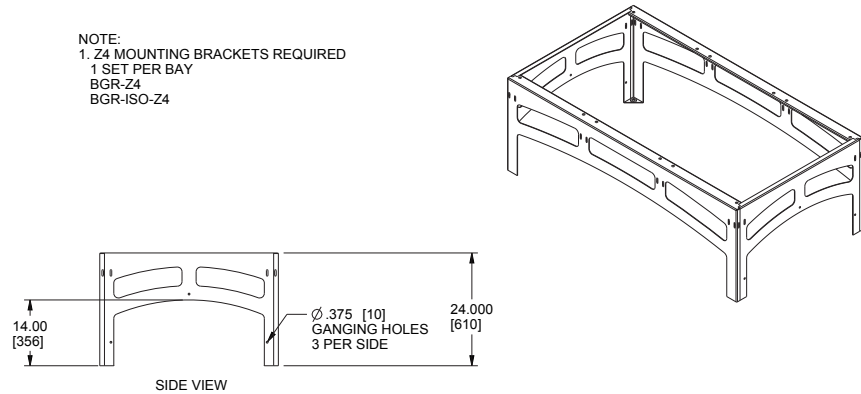
| PART NUMBER | 'A' DEPTH | 'B' WIDTH | 'C' DEPTH MTNG HOLE C TO C | 'D' WIDTH MTNG HOLE C TO C | 'E' OPENING DEPTH | 'F' OPENING WIDTH | VFEET (QTY OF FEET) | ANGLE | 'G' ANGLE DEPTH | 'H' ANGLE WIDTH |
|--------------|-------------|---------------|----------------------------|----------------------------|-------------------|-------------------|---------------------|-------------|-----------------|-----------------|
| RIB-1-BGR-27 | 27.00 [686] | 23.00 [584] | 21.18 [538] | 18.62 [473] | 22.00 [559] | 19.5 [495] | VFEET-1-12 (4) | BANGLE-1 | 30.00 [762] | 22.75 [578] |
| RIB-1-BGR-32 | 32.00 [813] | 23.00 [584] | 26.18 [665] | 18.62 [473] | 27.00 [686] | 19.5 [495] | VFEET-1-12 (4) | BANGLE-1 | 30.00 [762] | 22.75 [578] |
| RIB-1-BGR-38 | 38.00 [965] | 23.00 [584] | 32.18 [817] | 18.62 [473] | 33.00 [838] | 19.5 [495] | VFEET-1-12 (4) | BANGLE-1-38 | 41.00 [1041] | 22.75 [578] |
| RIB-2-BGR-27 | 27.00 [686] | 46.03 [1169] | 21.18 [538] | 41.66 [1058] | 22.00 [559] | 42.53 [1080] | VFEET-2-12 (6) | BANGLE-2 | 30.00 [762] | 45.78 [1163] |
| RIB-2-BGR-32 | 32.00 [813] | 46.03 [1169] | 26.18 [665] | 41.66 [1058] | 27.00 [686] | 42.53 [1080] | VFEET-2-12 (6) | BANGLE-2 | 30.00 [762] | 45.78 [1163] |
| RIB-2-BGR-38 | 38.00 [965] | 46.03 [1169] | 32.18 [817] | 41.66 [1058] | 33.00 [838] | 42.53 [1080] | VFEET-2-12 (6) | BANGLE-2-38 | 41.00 [1041] | 45.78 [1163] |
| RIB-3-BGR-27 | 27.00 [686] | 69.06 [1754] | 21.18 [538] | 64.68 [1643] | 22.00 [559] | 65.56 [1665] | VFEET-3-12 (8) | BANGLE-3 | 30.00 [762] | 68.81 [1748] |
| RIB-3-BGR-32 | 32.00 [813] | 69.06 [1754] | 26.18 [665] | 64.68 [1643] | 27.00 [686] | 65.56 [1665] | VFEET-3-12 (8) | BANGLE-3 | 30.00 [762] | 68.81 [1748] |
| RIB-3-BGR-38 | 38.00 [965] | 69.06 [1754] | 32.18 [817] | 64.68 [1643] | 33.00 [838] | 65.56 [1665] | VFEET-3-12 (8) | BANGLE-3-38 | 41.00 [1041] | 68.81 [1748] |
| RIB-4-BGR-27 | 27.00 [686] | 92.09 [2339] | 21.18 [538] | 87.71 [2228] | 22.00 [559] | 88.59 [2250] | VFEET-4-12 (10) | BANGLE-4 | 30.00 [762] | 91.84 [2333] |
| RIB-4-BGR-32 | 32.00 [813] | 92.09 [2339] | 26.18 [665] | 87.71 [2228] | 27.00 [686] | 88.59 [2250] | VFEET-4-12 (10) | BANGLE-4 | 30.00 [762] | 91.84 [2333] |
| RIB-4-BGR-38 | 38.00 [965] | 92.09 [2339] | 32.18 [817] | 87.71 [2228] | 33.00 [838] | 88.59 [2250] | VFEET-4-12 (10) | BANGLE-4-38 | 41.00 [1041] | 91.84 [2333] |
| RIB-5-BGR-27 | 27.00 [686] | 115.12 [2924] | 21.18 [538] | 110.74 [2813] | 22.00 [559] | 111.62 [2835] | VFEET-5-12 (12) | BANGLE-5 | 30.00 [762] | 114.87 [2918] |
| RIB-5-BGR-32 | 32.00 [813] | 115.12 [2924] | 26.18 [665] | 110.74 [2813] | 27.00 [686] | 111.62 [2835] | VFEET-5-12 (12) | BANGLE-5 | 30.00 [762] | 114.87 [2918] |
| RIB-5-BGR-38 | 38.00 [965] | 115.12 [2924] | 32.18 [817] | 110.74 [2813] | 33.00 [838] | 111.62 [2835] | VFEET-5-12 (12) | BANGLE-5-38 | 41.00 [1041] | 114.87 [2918] |

BGR-SA SERIES

SEISMIC RISER BASES BASIC DIMENSIONS



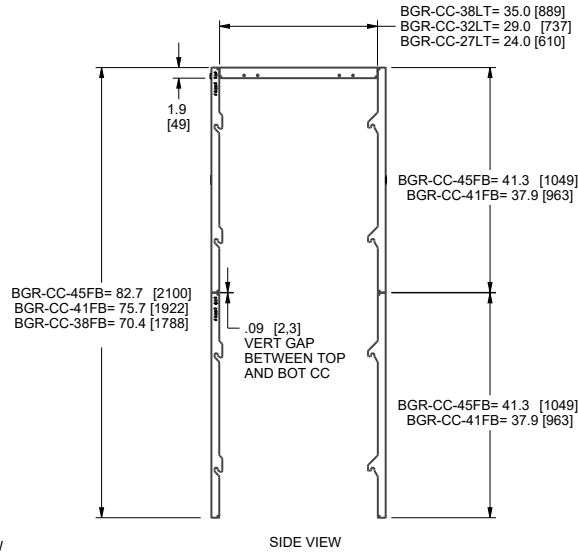
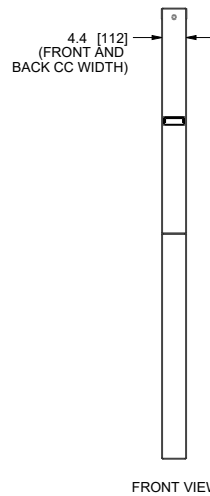
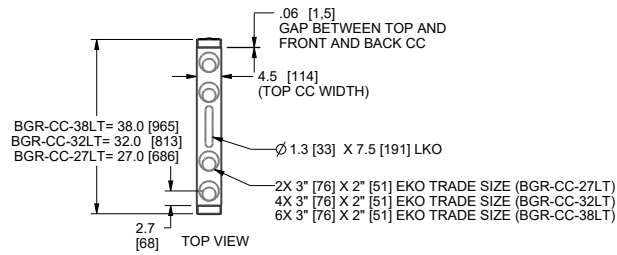
NOTE:
1. Z4 MOUNTING BRACKETS REQUIRED
1 SET PER BAY
BGR-Z4
BGR-ISO-Z4



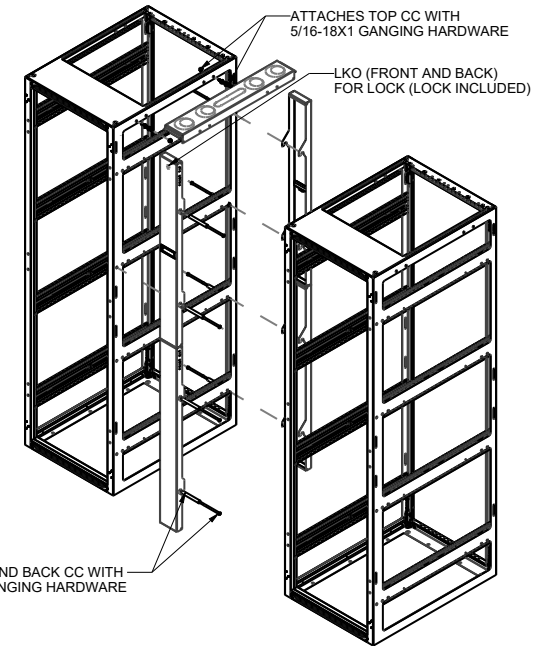
| PART NUMBER | 'A' DEPTH | 'B' WIDTH | 'C' DEPTH MTNG HOLE C TO C | 'D' WIDTH MTNG HOLE C TO C | 'E' OPENING DEPTH | 'F' OPENING WIDTH | ANGLE KITS |
|----------------|-------------|--------------|----------------------------|----------------------------|-------------------|-------------------|-------------|
| SRB-1-BGR-3224 | 32.00 [813] | 23.00 [584] | 29.94 [761] | 20.94 [532] | 26.58 [675] | 20.50 [521] | BANGLE-1 |
| SRB-2-BGR-3224 | 32.00 [813] | 46.03 [1169] | 29.94 [761] | 43.97 [1117] | 26.58 [675] | 43.53 [1106] | BANGLE-2 |
| SRB-3-BGR-3224 | 32.00 [813] | 69.06 [1754] | 29.94 [761] | 67.00 [1702] | 26.58 [675] | 66.56 [1691] | BANGLE-3 |
| SRB-1 BGR-3824 | 38.00 [965] | 23.00 [584] | 35.94 [913] | 20.94 [532] | 32.58 [828] | 20.50 [521] | BANGLE-1-38 |
| SRB-2-BGR-3824 | 38.00 [965] | 46.03 [1169] | 35.94 [913] | 43.97 [1117] | 32.58 [828] | 43.53 [1106] | BANGLE-2-38 |
| SRB-3-BGR-3824 | 38.00 [965] | 69.06 [1754] | 35.94 [913] | 67.00 [1702] | 32.58 [828] | 66.56 [1691] | BANGLE-3-38 |

BGR SERIES

CABLE CHASE BASIC DIMENSIONS



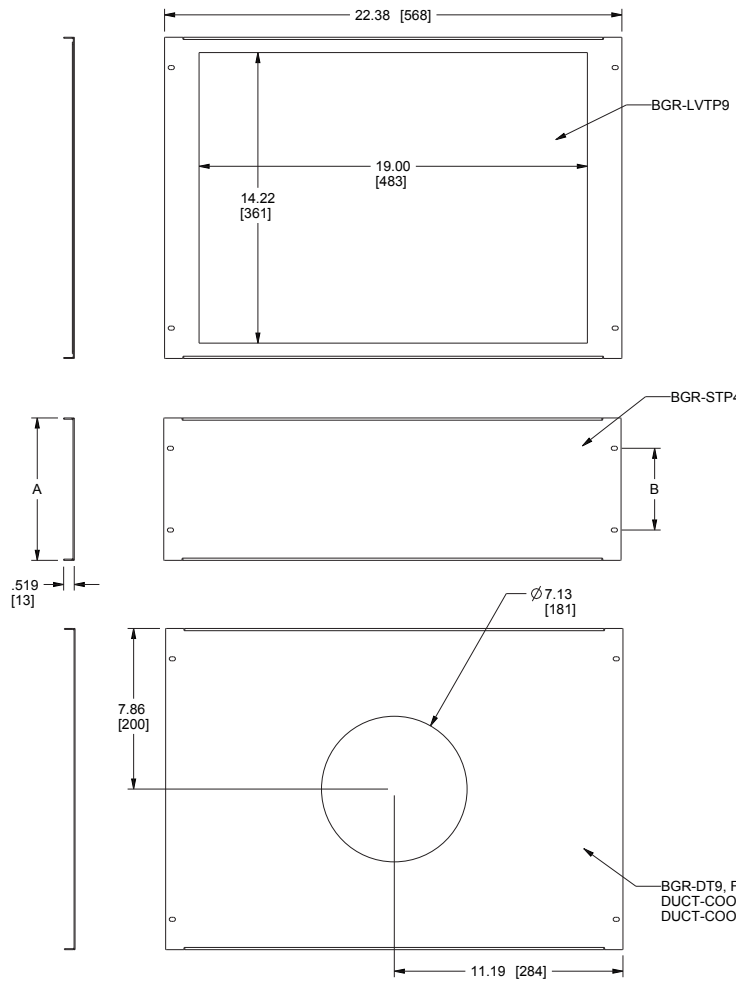
| PART # | USED ON |
|-------------|-----------------------|
| BGR-CC-45FB | BGR-45XX, BGR-45SA-XX |
| BGR-CC-41FB | BGR-41XX, BGR-41SA-XX |
| BGR-CC-38FB | BGR-38XX, BGR-38SA-XX |
| BGR-CC-38LT | BGR-XX38 |
| BGR-CC-32LT | BGR-XX32, BGR-XXSA-32 |
| BGR-CC-27LT | BGR-XX27, BGR-XXSA-27 |



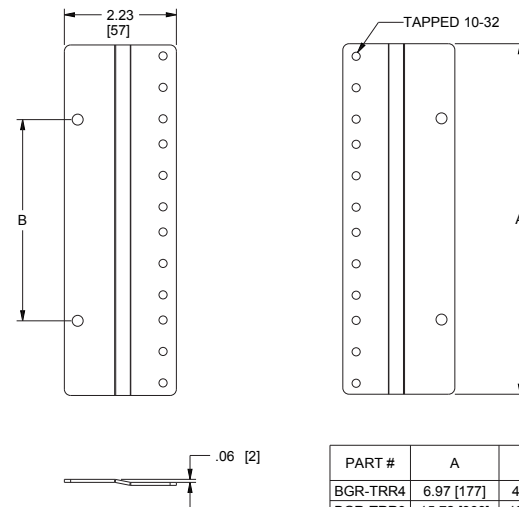
NOTE:
DIMENSION FORMAT SHOWN IN [MM]
BGR-CC-45FB, BGR-CC-41FB INCLUDES FOUR PIECES AND
BGR-CC-38FB INCLUDE TWO PIECE.
LKO = LASER KNOCKOUT
EKO = ELECTRICAL KNOCKOUT

BGR SERIES

TOP PANEL / RAIL BASIC BASIC DIMENSIONS



| REV | DESCRIPTION | REV BY | REV DATE | APP'D BY | DATE APP. |
|-----|-----------------------------|--------|----------|----------|-----------|
| - | PRODUCTION RELEASE | ////// | ////// | NC | 07/27/11 |
| A | EC 7833 - ADD BGR-DT9 SPECS | DCR | 07/07/15 | AP | 07/10/15 |



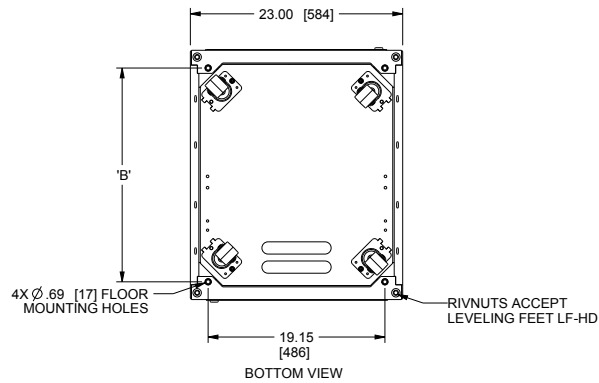
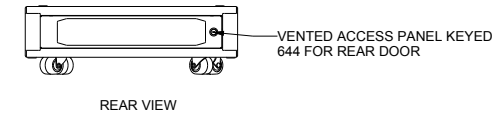
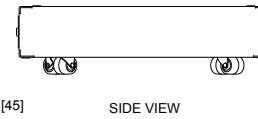
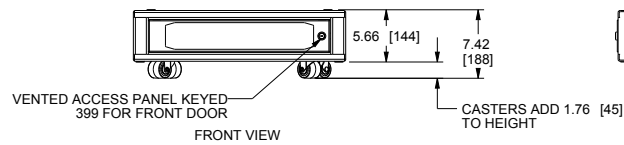
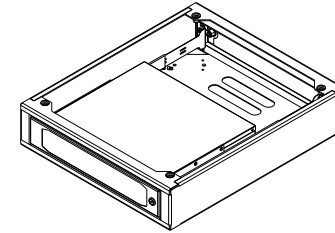
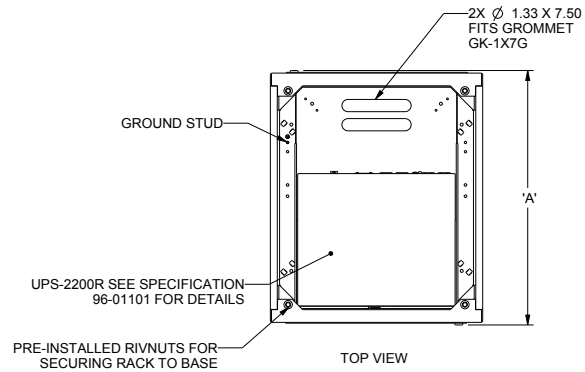
| PART # | A | B | RACK SPACES |
|----------|-------------|-------------|-------------|
| BGR-TRR4 | 6.97 [177] | 4.00 [102] | 4 |
| BGR-TRR9 | 15.72 [399] | 12.75 [324] | 9 |

| PART # | A | B | TYPE | MATERIAL | OPEN AREA |
|----------|-------------|-------------|----------|----------|-----------|
| BGR-STP3 | 5.22 [133] | 2.25 [57] | SOLID | ALUM | - |
| BGR-STP4 | 6.97 [177] | 4.00 [102] | SOLID | ALUM | - |
| BGR-STP9 | 15.72 [399] | 12.75 [324] | SOLID | STEEL | - |
| BGR-LVT9 | 15.72 [399] | 12.75 [324] | VENTED | STEEL | 64% |
| BGR-DT9 | 15.72 [399] | 12.75 [324] | DUCT TOP | STEEL | - |

BGR-DT9. FOR USE WITH
DUCT-COOL-1PT AND
DUCT-COOL-2PT

BGR-SA SERIES

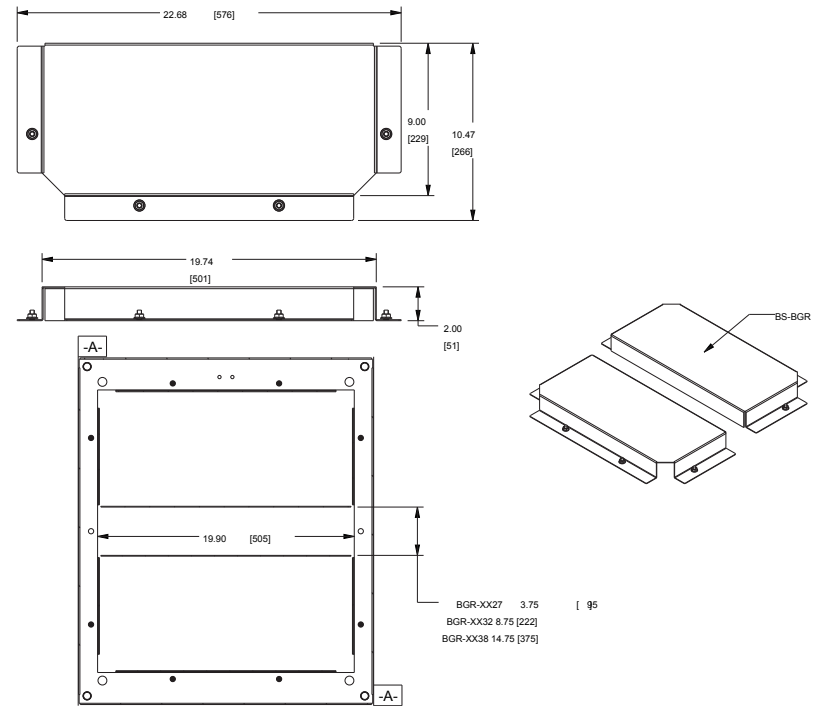
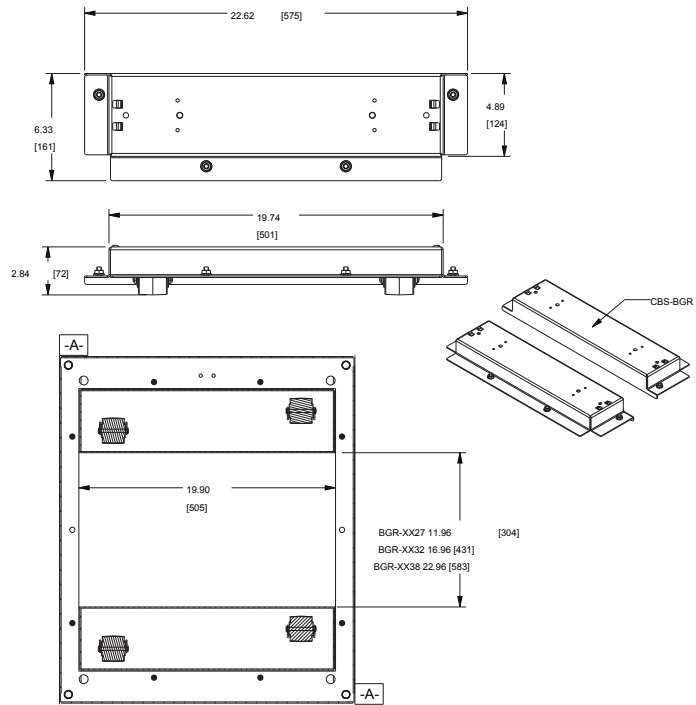
UPS BASE BASIC DIMENSIONS



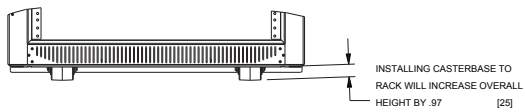
| MODEL | 'A' DEPTH | 'B' FLOOR MOUNTING DEPTH | CASTERS | INCLUDED UPS |
|--------------------|--------------|-----------------------------|---------|-----------------|
| FWD-BS-2KVA-BGR27 | 27.56 [700] | 23.16 [588] | NO | UPS-2200R |
| FWD-BS-2KVA-BGR32 | 32.56 [827] | 28.16 [715] | NO | UPS-2200R |
| FWD-BS-2KVA-BGR38 | 38.56 [979] | 34.16 [868] | NO | UPS-2200R |
| FWD-CBS-2KVA-BGR27 | 27.56 [700] | 23.16 [588] | YES | UPS-2200R |
| FWD-CBS-2KVA-BGR32 | 32.56 [827] | 28.16 [715] | YES | UPS-2200R |
| FWD-CBS-2KVA-BGR38 | 38.56 [979] | 34.16 [868] | YES | UPS-2200R |

BGR-SA SERIES

CASTER BASE / INNER PLATFORM BASIC DIMENSIONS

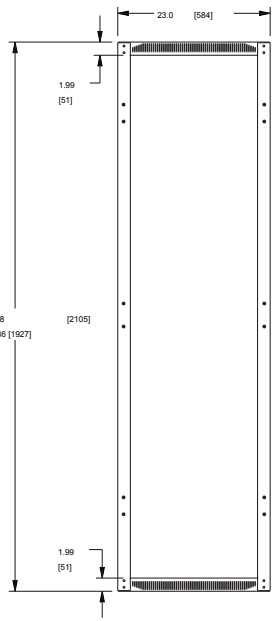
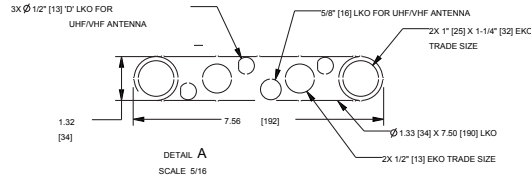
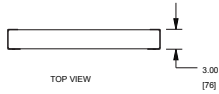


NOTE(S):
1) DIMENSIONS SHOWN IN THE FORMAT OF IN [mm].

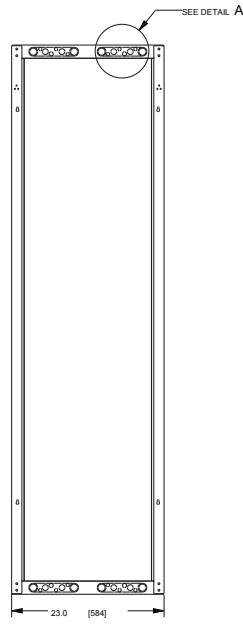
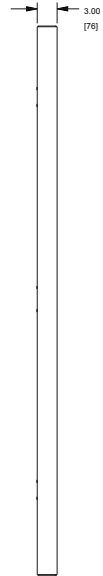


BGR-SA SERIES

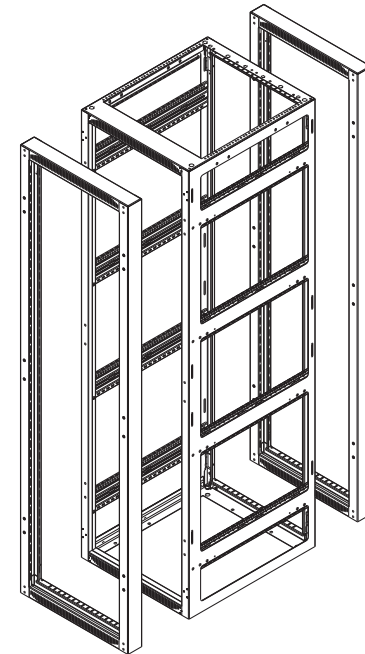
FRONT / REAR EXTENDER BASIC DIMENSIONS



BGR-45-EXT3= 82.88
BGR-41-EXT3= 76.88 [1927]



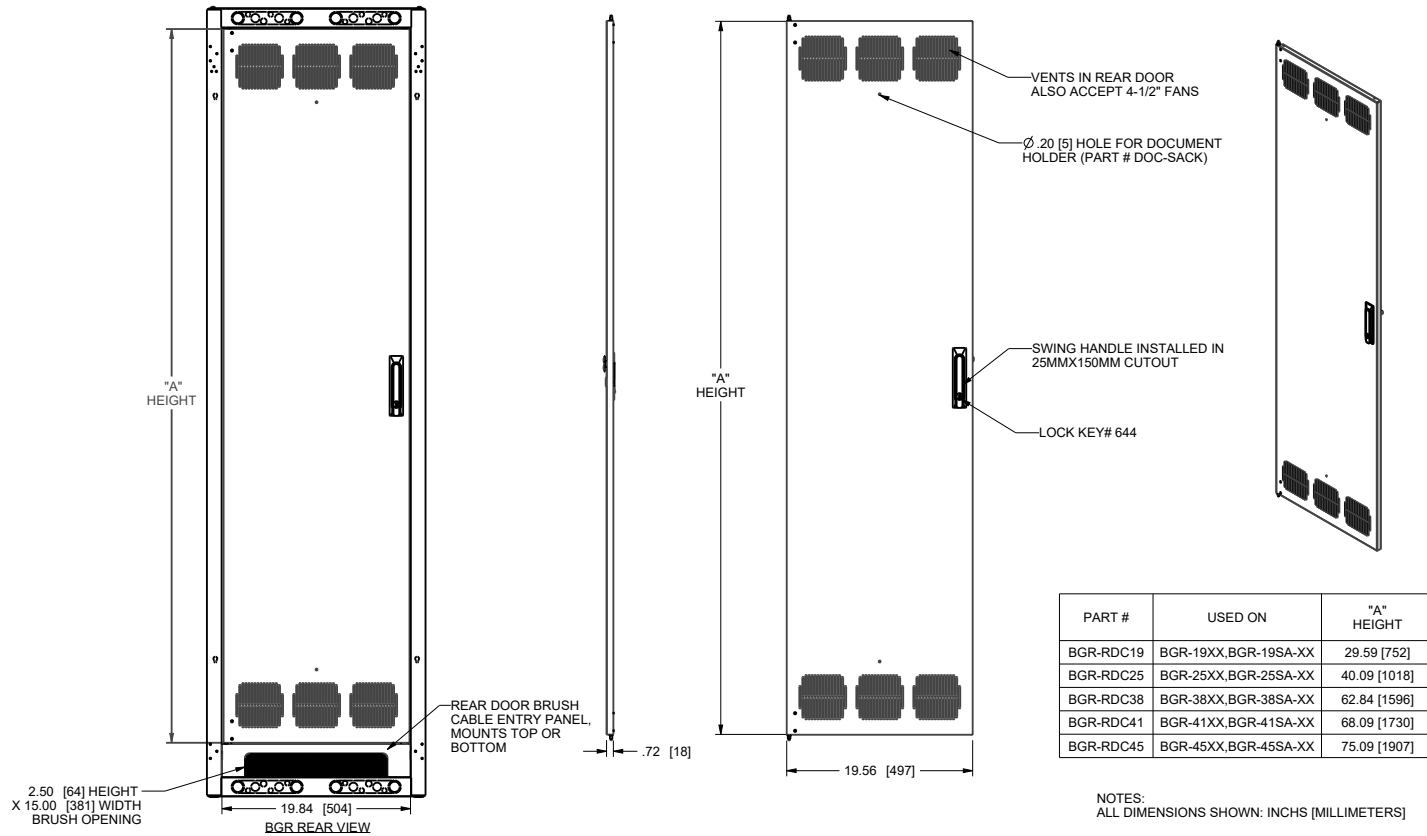
| PART # | USED ON |
|-------------|-----------------------|
| BGR-45-EXT3 | BGR-45XX, BGR-45SA-XX |
| BGR-41-EXT3 | BGR-41XX, BGR-41SA-XX |



NOTE:
BGR-45-EXT3 & BGR-41-EXT3 EXTENDS FRONT OR REAR OF RACK 3.00 [76]
ALL DIMENSIONS ARE EXPRESSED IN THE FORM IN. [mm]

BGR-SA SERIES

CABLE ENTRY REAR DOOR BASIC DIMENSIONS



LEGRAND | AV COMMERCIAL BRANDS
C2G | Chief | Da-Lite | Luxul | Middle Atlantic | Vaddio | Wiremod

WHAT GREAT SYSTEMS ARE BUILT ON™ | legrandav.com

USA 800.266.7225 av.middleatlantic.support@legrand.com CANADA 888.766.9770 av.middleatlantic.support@legrand.com

©2022 Legrand AV Inc. 220259 Rev B 5/22 Middle Atlantic is a registered trademark of Legrand AV Inc. All other brand names or marks are used for identification purposes and are trademarks of their respective owners. All patents are protected under existing designations. Other patents pending.