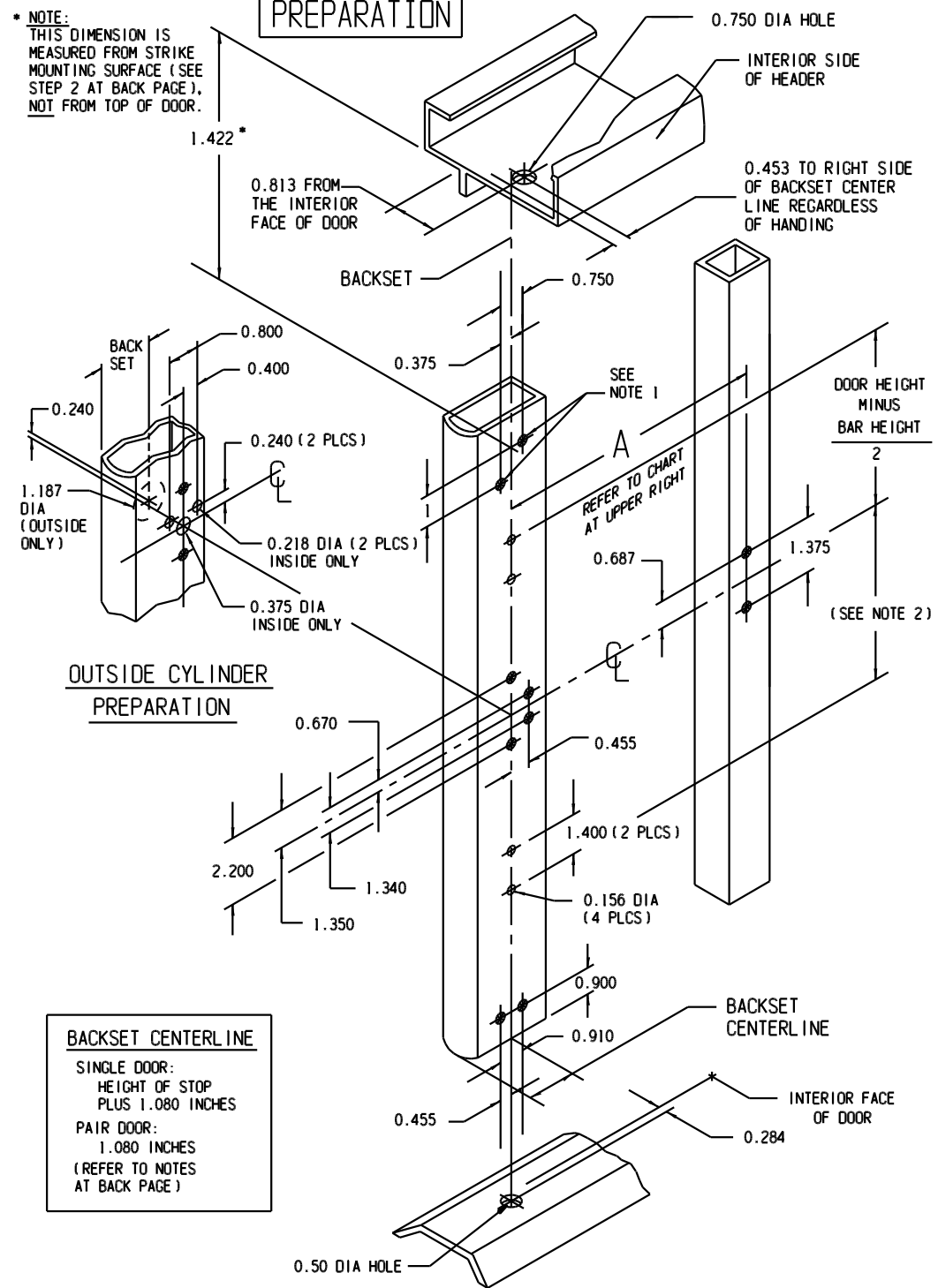


* NOTE:
THIS DIMENSION IS
MEASURED FROM STRIKE
MOUNTING SURFACE (SEE
STEP 2 AT BACK PAGE),
NOT FROM TOP OF DOOR.

PREPARATION

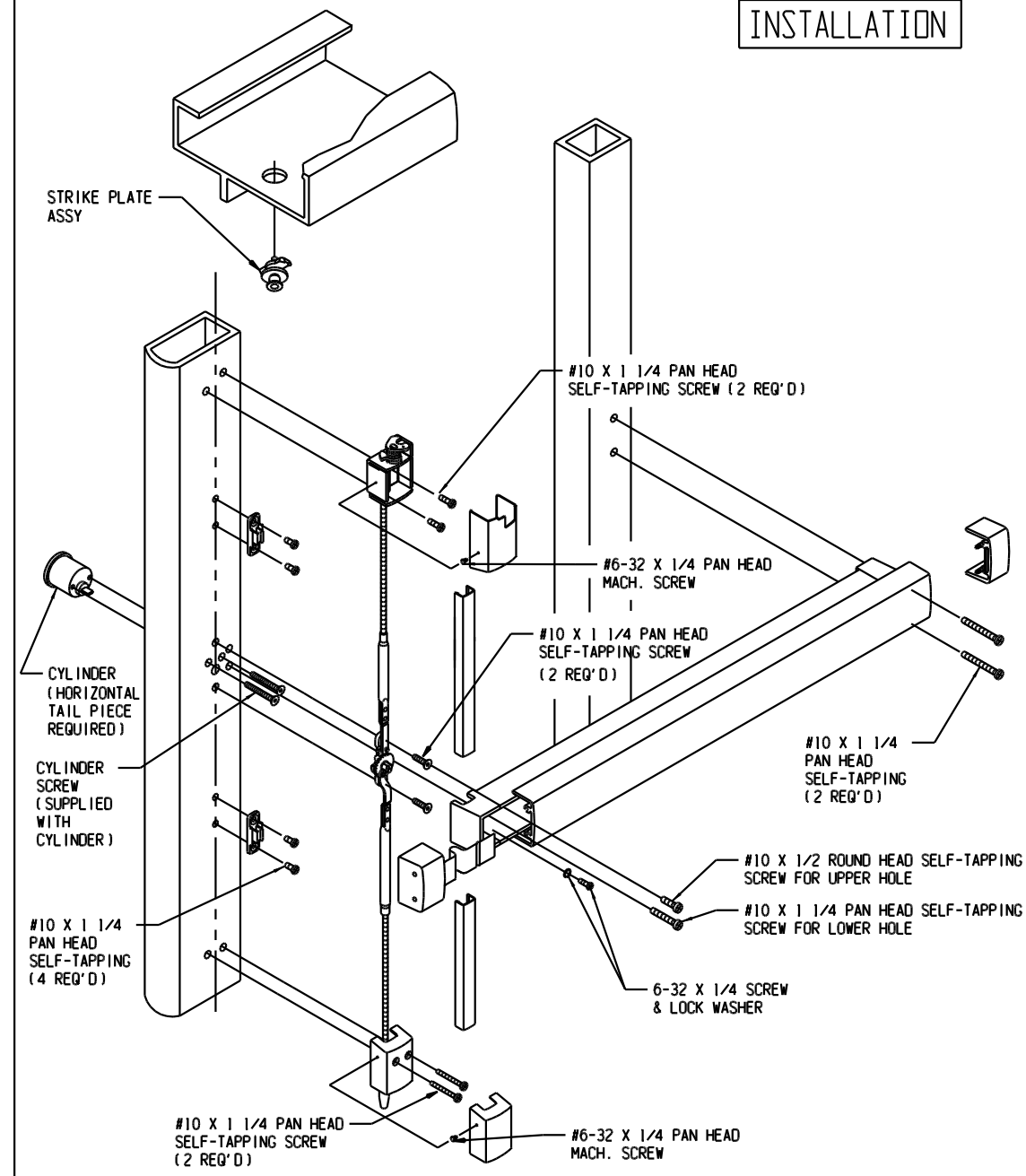


OUTSIDE CYLINDER PREPARATION

BACKSET CENTERLINE
SINGLE DOOR:
HEIGHT OF STOP
PLUS 1.080 INCHES
PAIR DOOR:
1.080 INCHES
(REFER TO NOTES
AT BACK PAGE)

NOTE 1: UNLESS OTHERWISE SPECIFIED, DRILL .156 DIA FOR 10 HOLES (●)
NOTE 2: WHEN BAR HEIGHT IS 36" OR MORE, DIVIDE BAR HEIGHT BY 2. OTHERWISE, USE 18" AS THE DIMENSION
NOTE: THESE DIMENSIONS AND TEMPLATES ASSUME A DOOR THICKNESS OF 1.75" WITH 1/8" WALL. FOR DOORS OF OTHER THICKNESS, CONSULT FACTORY.

INSTALLATION

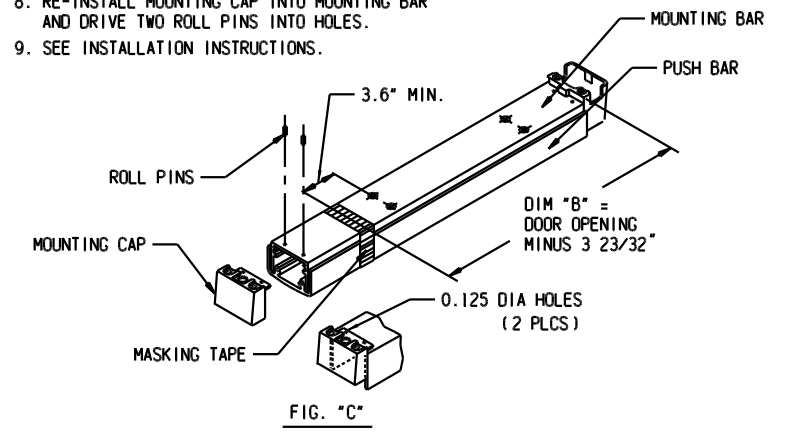


METRIC EQUIVALENTS									
INCHES	MM	INCHES	MM	INCHES	MM	INCHES	MM	INCHES	MM
.125	3.17	.500	12.70	1	25.40	1.960	49.78	30	762.00
.218	5.54	.670	17.02	1.080	27.43	2.200	55.88	33.22	843.79
.240	6.10	.687	17.45	1.187	30.15	3.600	91.44	36	914.40
.250	6.35	.750	19.05	1.340	34.04	3.718	94.43	39.22	996.19
.375	9.52	.800	20.32	1.350	34.29	3.750	95.25	42	1066.80
.400	10.16	.900	22.86	1.375	34.93	18	457.20	45.22	1148.59
.455	11.56	.910	23.11	1.400	35.56	27.22	691.39	48	1219.20

BACKSET 1.080"	DOOR OPENING WIDTH			
	30"	36"	42"	48"
DIM A	27.22"	33.22"	39.22"	45.22"

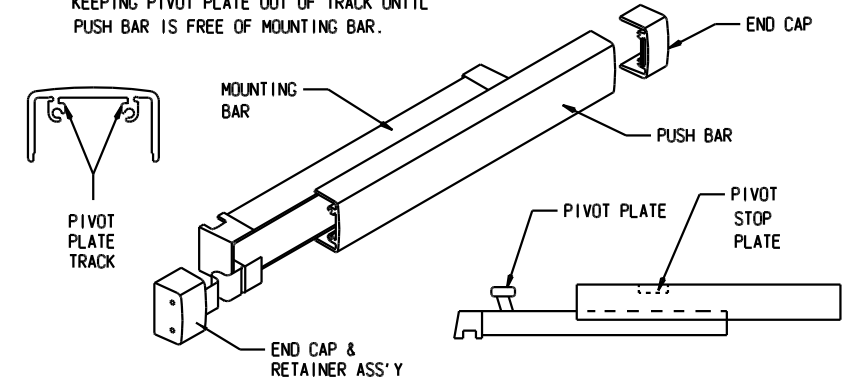
CUT-OFF INSTRUCTIONS FOR NON-STANDARD DOORS

1. DRIVE OUT TWO ROLL PINS.
2. REMOVE MOUNTING CAP.
3. COLLAPSE BAR AND TAPE DOWN IN THE AREA OF CUT-OFF.
4. DETERMINE EXTRUSION LENGTH ("B" DIM). (NOTE: 3.6" MINIMUM DIMENSION FROM RIVET CENTERLINE TO NEW CUT-OFF LENGTH AS SHOWN).
5. MEASURE MOUNTING BAR (NOT PUSH BAR), AND MARK EXTRUSION LENGTH ON TAPE.
6. SAW OFF EXCESS LENGTH, REMOVE TAPE AND DEBURR.
7. LAY MOUNTING CAP OVER MOUNTING BAR (FIG. "C"), AND USE AS A GUIDE TO DRILL TWO 0.125 DIA HOLES.
8. RE-INSTALL MOUNTING CAP INTO MOUNTING BAR AND DRIVE TWO ROLL PINS INTO HOLES.
9. SEE INSTALLATION INSTRUCTIONS.



SEPARATING PUSH BAR AND MOUNTING BAR PROCEDURE

1. REMOVE BOTH END CAPS. THE RETAINER IS ATTACHED TO THE NOSE END CAP.
2. SLIDE PUSH BAR TOWARD HINGE SIDE OF DOOR.
3. CONTINUE TO SLIDE PUSH BAR PAST THE PIVOT PLATE THAT RIDES IN PUSH BAR TRACK.
4. SLIDE PUSH BAR IN OPPOSITE DIRECTION KEEPING PIVOT PLATE OUT OF TRACK UNTIL PUSH BAR IS FREE OF MOUNTING BAR.



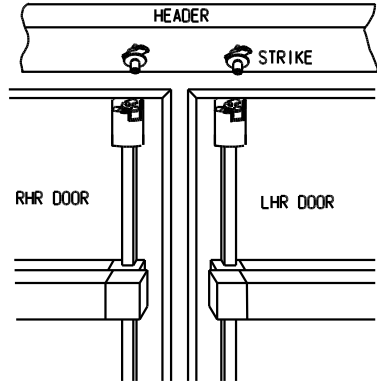
INSTALLING PUSH BAR TO MOUNTING BAR

1. WITH PUSH BAR IN HAND AND MOUNTING BAR ATTACHED TO DOOR, FIND PIVOT PLATE STAKED INTO PUSH BAR. (THIS PLATE IS ON THE LATCH END OF ASSEMBLED UNIT). SLIDE THE PIVOT PLATE NEAREST HINGE INTO TRACK OF PUSH BAR UNTIL SECOND PIVOT PLATE IS EXPOSED. INSERT PIVOT PLATE INTO TRACK ON PUSH BAR AND SLIDE IN OPPOSITE DIRECTION UNTIL PUSH BAR AND MOUNTING BAR ALIGN.

**PRODUCT MUST BE INSTALLED
ACCORDING TO ALL APPLICABLE
BUILDING AND LIFE SAFETY CODES**

INSTALLATION INSTRUCTION CHECKLIST

ADAMS RITE SERIES 8200 EXIT DEVICE



IMPORTANT!

This device is unhandred. It can be installed in either left hand reverse or right hand reverse doors without alteration. The doors' lead stile and header preparation are IDENTICAL *not* mirror image. Note in the sketch above that the yoke type bolt *always* faces right (as viewed from inside) and the strike post is toward the right of the backset centerline for *both* doors.

NOTE STEPS 1 THRU 10 ARE MORE EASILY ACCOMPLISHED IF DOOR IS NOT INSTALLED IN FRAME.

HOW TO FIND BACKSET

