

1837 80 SERIES

TELEPHONE ENTRY SYSTEM



Best suited for applications requiring complete access control for up to 48 entry points, including elevator control

- Provides both resident and visitor Access Control into and within apartment buildings, gated communities, condominiums, office buildings, factories and industrial sites
- Built-In Electronic Directory
- Large easy-to-use A-Z-CALL Buttons
- Resident Access Control is provided by means of Cards, Digital PIN Codes, or Wireless Transmitters
- PC Programmable. Programming and Transaction Analysis Software included
- Voice and Data (programming) connection over either Cellular, Ethernet, or copper POTS lines
- 2-Year Limited Factory Warranty

Flush Mount
(shown with trim ring - sold separately)

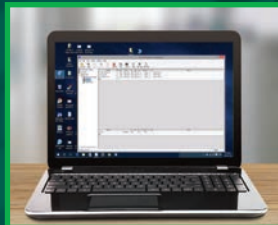
Wall Mount



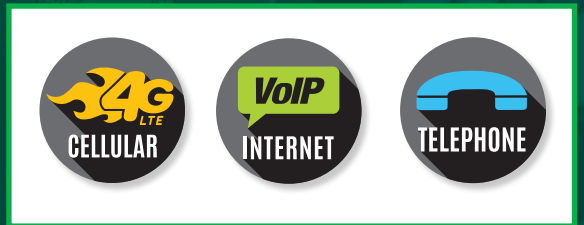
Wireless Expansion
up to 24 entry points



Internal LED
lit keypad and A-Z-CALL buttons



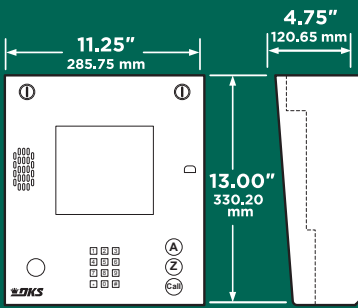
PC Programmable
easy to use software included



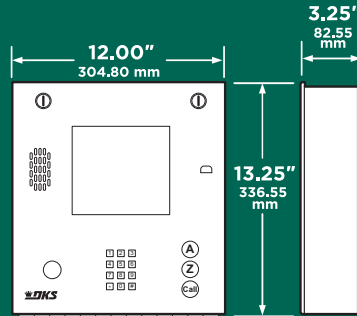
Voice and Remote Programming
use DKS service options for connection and programming



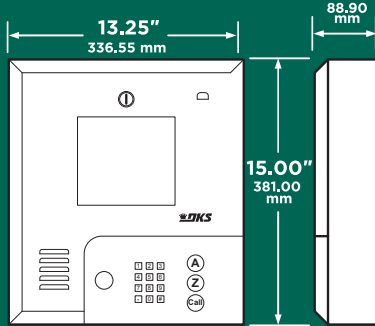
1837 80 SERIES TELEPHONE ENTRY SYSTEM



1837 Surface



1837 Flush



1837 Wall

1837 80 SERIES

PHONE # MEMORY	3000 Phone Numbers, 255 Area Code
ENTRY CODES	3000 (4-Digit)
DEVICE CODES	8000
DOOR CONTROL	3 Entry Points*
DIRECTORY	8-Line 20-Character Super-Twist LCD Display (1/2 inch characters)
ELEVATOR CONTROL	Yes
PROGRAMMING	PC with Remote Account Manager Software**
TRANSACTION BUFFER	8000 Events

* Expands to 48 with wired expansion boards or to 24 with wireless expansion boards.

** DKS Remote Account Manager Software is available as a free download at doorking.com/software

TECHNICAL FEATURES:

MECHANICAL

- Stainless Steel Faceplate
- Galvanized Steel Sub-Plate
- Metal Keypad, with Internally lit LED Keypad and A-Z-CALL Buttons
- Offset Speaker Holes for protection
- Hands-Free Voice Operation (Optional handset available on surface or flush mount only)
- Built-In Postal Lock provision, EEPROM Memory
- Surface, Flush or Wall mounting styles Flush mount requires Flush Mounting Kit Enclosures are rated NEMA 4x

CONNECTION METHODS

- Cellular (powered by AT&T 4G LTE)
- VoIP (select DK VoIP or your own VoIP provider)
- POTS (Plain Old Telephone Service)
- Connection methods noted will incur additional cost for required hardware and/or service subscriptions

SPECIFICATIONS

- Eight Line 20 character Super-Twist LCD Display (1/2 inch characters)
- 16 VAC (2 Power Transformers included)
- Full Duplex Voice Communication
- Stores up to 3000 Phone Numbers, 255 Area Codes
- Max 8000 Weigand Device (card codes), 10 Facility Codes
- Transaction Buffer stores last 8000 Events
- Control 3 Entry Points, expandable to 48 with Tracker Expansion Boards
- Programmable Directory Codes (1 to 4 digits)
- 10 & 11-Digit Dialing Capability
- 31 Security (permission) Levels, 29 Programmable with 4 Time Zones each
- 32 Holiday Schedules
- 4-Digit Entry Codes
- Built-In Clock / Calendar
- 8 Hold Open Time Zones
- Entry Code Time Zones
- True Anti-Pass Back
- Live Transactions feature (requires TCP/IP internet connection or RS-232 connection)

MISCELLANEOUS

- Environmental: 10°F to 145°F (-12°C to 62°C)
- Heater Kit (P/N 2600-584) recommended when temperatures routinely fall below 10°F (-12°C)
- ADA Compliant Handset Kit (P/N 1807-012) available on Surface or Flush Mount only
- Camera Ready: Optional B&W or Color CCTV Camera* *may require additional CCTV equipment
- Shipping weight approximately 20-25 lb (9-11 kg)
- FCC (US) DUF6VT-12874-OT-T
- DOC (CAN) 1736 4528 A



Conforms To UL STD 294 Certified To CSA STD 222 #205

AT&T, the AT&T logo and all other AT&T marks contained herein are trademarks of AT&T Intellectual Property and/or AT&T affiliated companies.

DOORRING, INC.

Access Control Solutions since 1948



120 S. Glasgow Avenue, Inglewood, California 90301 U.S.A. Tel: 310-645-0023 FAX: 310-641-1586 www.doorking.com

© 2019 All Rights Reserved. Product specifications may change without notice. Rev. 7/19

MEMBER:



DISTRIBUTED BY:

