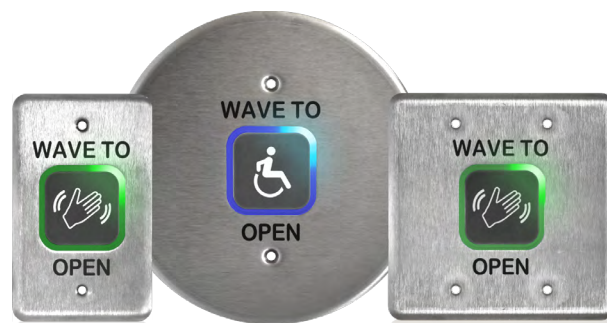




# MS41

STAINLESS STEEL, TOUCHLESS ACTUATOR WITH ADJUSTABLE RANGE AND RELAY HOLD TIME



## VIDEO



[Watch the product video](#)

## TECHNOLOGY



## CERTIFICATIONS



## DESCRIPTION

BEA's **MAGIC SWITCH® Family** provides a highly accessible and germ-free door activation without physical contact. Reduce touchpoints in fast-paced environments that depend on sanitation like healthcare, retail, industrial and commercial settings.

Using microwave technology, BEA's **MS41** produces a detection field with a reliable and consistent transmission in interior and exterior applications. Capable of detecting a

moving hand, cart or wheelchair. Plus, an adjustable hold time offers flexibility to meet ANSI standards.

The **MS41** features rounded corners and a customizable illuminated ring with audible signaling. The durable design suits sterile, wash-down applications such as surgical, wash-down, clean room and pharmaceutical environments.



### Durable Faceplate

Stainless steel faceplate increases durability and protection from daily cleaning

### Ideal For Harsh Environments

IP55 rated enclosure capable of use in industrial and extreme washdown environments

### High-Visibility

Animated or static illuminated ring allows for high-visibility in low light areas

### Adjustable Detection Zone

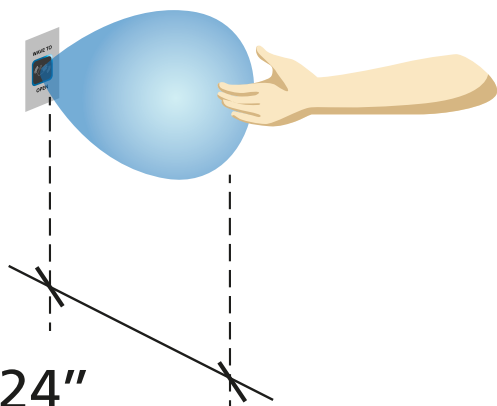
Adjustable sensing zone from 4 to 24 inches (timed or toggle)

### Activation Alerts

Adjustable audible alert setting, including silent-mode required for hospitals and other noise-sensitive environments

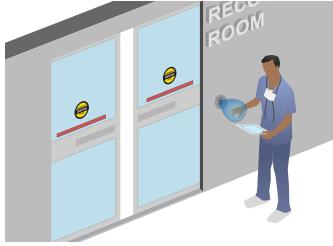
### Adjustable Hold Time

Configurable output hold time of ½ to 30 seconds allowing unique, user-defined device placement

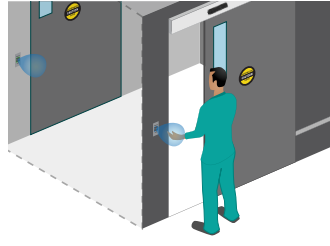


4 - 24"

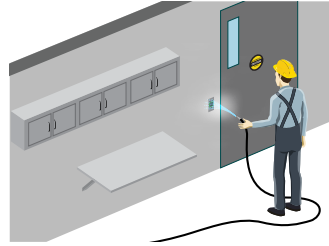
## APPLICATIONS



Healthcare Environments



Clean Rooms and Sterile Facilities



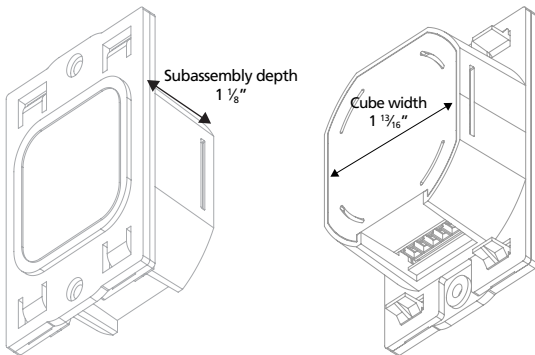
Washdown Resistant

## TECHNICAL SPECIFICATIONS

<b>Technology</b>	Microwave Doppler Radar
Radiated Frequency	24.125 GHz
Radiated Power Density	< 5 mW/cm <sup>2</sup>
<b>Detection Mode</b>	Motion (bidirectional)
<b>Detection Range</b>	4 – 24" (adjustable)
<b>Output</b>	Relay with switch-over contact (voltage-free)
Max. Contact Voltage	60 VDC / 125 VAC
Max. Contact Current	1A (resistive)
Max. Switching Power	30 W (DC) / 60 VA (AC)
<b>Output Hold Time</b>	0.5 – 30 s
<b>Supply Frequency</b>	50 – 60 Hz
<b>Supply Voltage</b>	12 – 24 VAC ±10% 12 – 24 VDC +30% / -10%
<b>Power Consumption</b>	< 1.5 W
<b>Wire Gauge</b>	26 – 22 AWG
<b>Weight</b>	0.34 lbs
<b>Material</b>	Stainless Steel
<b>Temperature Range</b>	-4 – 131 °F
<b>IP Rating*</b>	IP55 Apply silicone to achieve IP65
<b>Dimensions</b>	
Single Gang	4 ½" (H) × 2 ¾" (W) × ⅝" (T)
Double Gang	4 ½" (H) × 4 ½" (W) × ⅝" (T)
Round	6" (D) × ⅝" (T)
Cube	2 ⅛" (H) × 1 ⅜" (W) × 1 ⅛" (T)
<b>Certification</b>	EMC: 2004 / 108 / EC FCC: G9B-210161 IC: 4680A-210161

\* See Users Guide

\*\* MS41 Single, Double and Round adapter bracket 70.5236 is included in the box. The adapter bracket can be used to replace a mudring whose opening measures less than 2"



## PRODUCT SERIES

<p><b>10MS41-S</b> Stainless steel single gang - text + hand logo</p>	<p><b>10MS41-SA</b> Stainless steel single gang - text + accessibility logo</p>	<p><b>10MS41-D</b> Stainless steel double gang - text + hand logo</p>
<p><b>10MS41-DA</b> Stainless steel double gang - text + accessibility logo</p>	<p><b>10MS41-R</b> Stainless steel round plate - text + hand logo</p>	<p><b>10MS41-RA</b> Stainless steel round plate - text + accessibility logo</p>
<p><b>10TD900TR</b> 900 MHz retrofit transmitter</p>		
<b>10MS41-SP</b>	Stainless steel single gang - plain	
<b>10MS41-DP</b>	Stainless steel double gang - plain	
<b>10MS41-RP</b>	Stainless steel round plate - plain	

**DISCLAIMER** Information is supplied upon the condition that the persons receiving it will make their own determination as to its suitability for their purposes prior to use. In no event will BEA be responsible for damages of any nature whatsoever resulting from the use of or reliance upon information from this document or the products to which the information refers. BEA has the right without liability to change descriptions and specifications at any time.

[WWW.BEASENSORS.COM](http://WWW.BEASENSORS.COM)



BEA AMERICAS / RIDC Park West / 100 Enterprise Drive / Pittsburgh, PA  
T 1-800-523-2462 / F 1-888-523-2462 / E info-us@BEAsensors.com

A Halma company