

Ultraline 74R2 Electric Strike



ALUMINUM

UL 1034
BURGLARY
LISTEDELECTRIFIED
PRODUCTGRADE 1
E09321

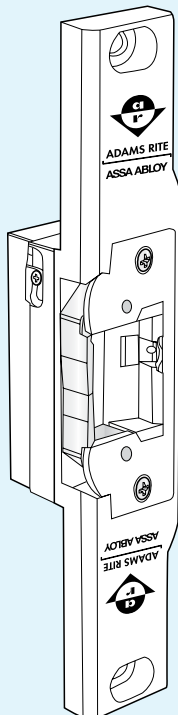
Intertek

74R2 Electric Strike is designed for narrow stile rim exit devices with 1/2" Pullman type latchbolt. For use in aluminum door jambs. Opens electrically under 35lbs. of preload.

Function

A semi-mortised strike for rim exit devices having 1/2" Pullman type bolts. Provides electrical remote control, allowing door to open without actuation of the exit device.

This non-handed strike features an ultra-compact design and a stainless steel split-jaw with over 1500 lbs. of holding force in fail-secure mode. The strike releases electrically with up to 35 lbs. of door "preload" (pressure exerted on doors by air conditioning systems, warping or misaligned hardware which can disable common electric strikes). Single solenoid operates on 12, 16, or 24 volt AC/DC power. Strikes are equipped with a quick connect plug-in type connector.



Specifications

FAIL-SAFE/FAIL-SECURE

- Field selectable at time of installation.

CASE

- Approximately 1" x 3-3/8" x 1-1/8" deep.

STRIKE OPENING

- Bolt retainer jaw is stainless steel, measures 5/8" x 1-7/16" x 1/2" deep.

MOUNTING PLATE/HOUSING

- Made of zinc aluminum alloy and measure 1-5/8" x 9" x 1/2" deep. Standard finish in epoxy to match Clear, Dark Bronze Anodized and Black Anodized finishes.

VOLTAGE

- Field selectable to match power source of 12, 16, or 24 VAC/VDC.

CURRENT DRAW/AMPS

VOLTS	AC INTERMITTENT	DC CONTINUOUS
12	0.163	0.440
16	0.228	0.458*
24	0.084	0.230

*Requires 16 DC adapter (P/N VA 7400-16VDC)

STANDARD PACKAGE

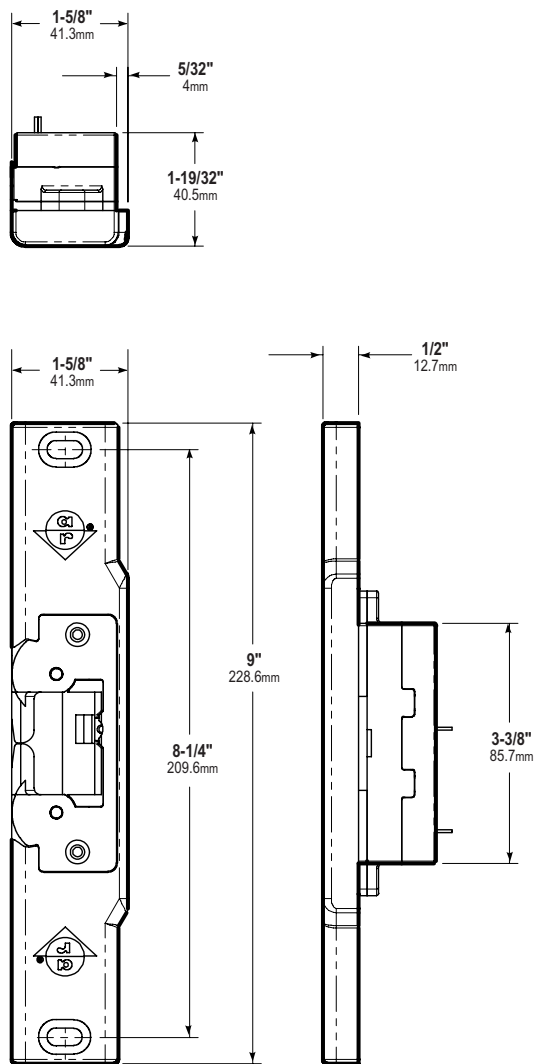
- Individually boxed with mounting plate shims, mounting screws, and installation instructions. Shipping weight approximately 2 lbs.

OPTIONS

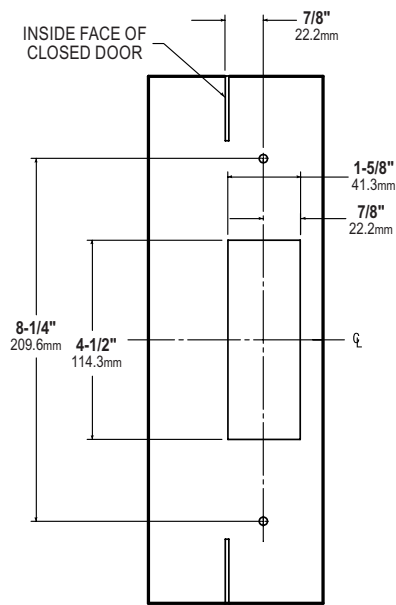
- ELX-ElectroLynx™ Adapter – Connects Adams Rite electrified products to ElectroLynx system.
- 16 VDC Adapter – VA7400-16VDC required when using 16 VDC power.

All measurements are approximate and are provided for informational purposes only. Refer to the product Installation Instructions.

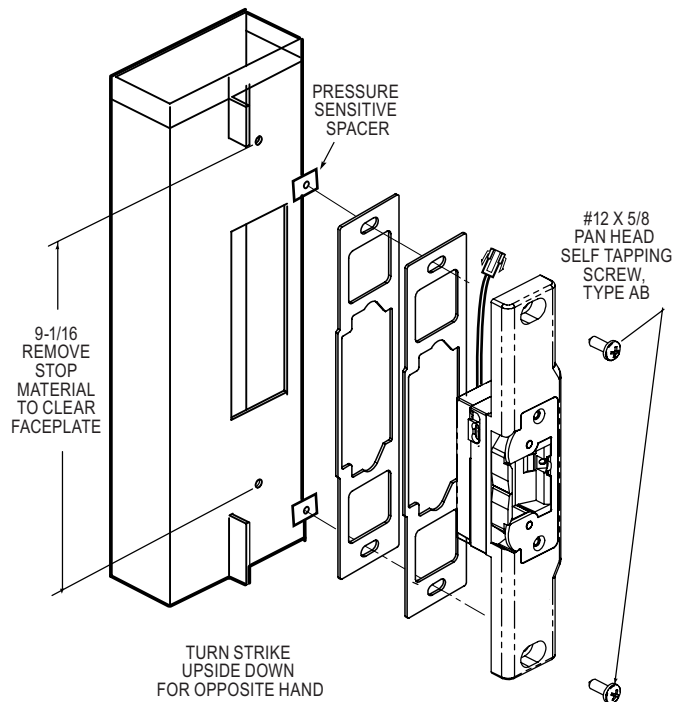
Dimensions



Jamb Preparation



Installation



HOW TO ORDER 74R2 ELECTRIC STRIKE

Specify quantity and the following information. Order related products separately.

PRODUCT NO.	FINISH
74R2	-130
	119 To match 335 Black Anodized
	121 To match 313 Dark Bronze Anodized
	130 To match 628 Clear Anodized

RELATED PRODUCTS When purchasing this product, please consider the following related products, available separately:

Options

ELX-ElectroLynx™ Adapter.
VA7400-16VDC Adapter.

Power

4603 Rectifier, 4605/4606 Transformer, Piezo Horn audible indicator, PS-1.