

# Ultraline 74R1 Electric Strike

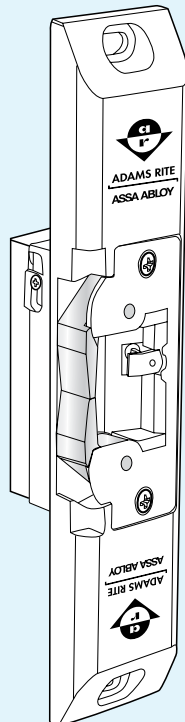


74R1 Electric Strike is designed for rim exit devices with 3/4" Pullman type latchbolt. For use in hollow metal, wood and aluminum door jambs. Opens electrically under 35lbs. of preload.

## Function

A semi-mortised strike for rim exit devices having 3/4" Pullman type bolts without auxiliary bolts. Provides electrical remote control, allowing door to open without actuation of the exit device.

This non-handed strike features an ultra-compact design and a stainless steel split-jaw with over 1500 lbs. of holding force in fail-secure mode. The strike releases electrically with up to 35 lbs. of door "preload" (pressure exerted on doors by air conditioning systems, warping or misaligned hardware which can disable common electric strikes). Single solenoid operates on 12, 16, or 24 volt AC/DC power. Strikes are equipped with a quick connect plug-in type connector.



## Specifications

### FAIL-SAFE/FAIL-SECURE

- Field selectable at time of installation.

### CASE

- Approximately 1" x 3-3/8" x 1-1/16" deep.

### MOUNTING PLATE/HOUSING

- Made of zinc aluminum alloy and measures 1-3/4" x 9" x 11/16" deep. Standard finish in epoxy to match Clear, Dark Bronze Anodized and Black Anodized finishes.

### STRIKE OPENING

- 5/8" x 1-7/16" x 9/16" deep. Bolt retainer jaw is stainless steel. Strike accepts Pullman bolt of exit devices without deadlocking bolts.

### VOLTAGE

- Field selectable to match power source of 12, 16, or 24 VAC/VDC.

### CURRENT DRAW/AMPS

VOLTS	AC INTERMITTENT	DC CONTINUOUS
12	0.163	0.440
16	0.228	0.458*
24	0.084	0.230

\*Requires 16 DC adapter (P/N VA 7400-16VDC)

### STANDARD PACKAGE

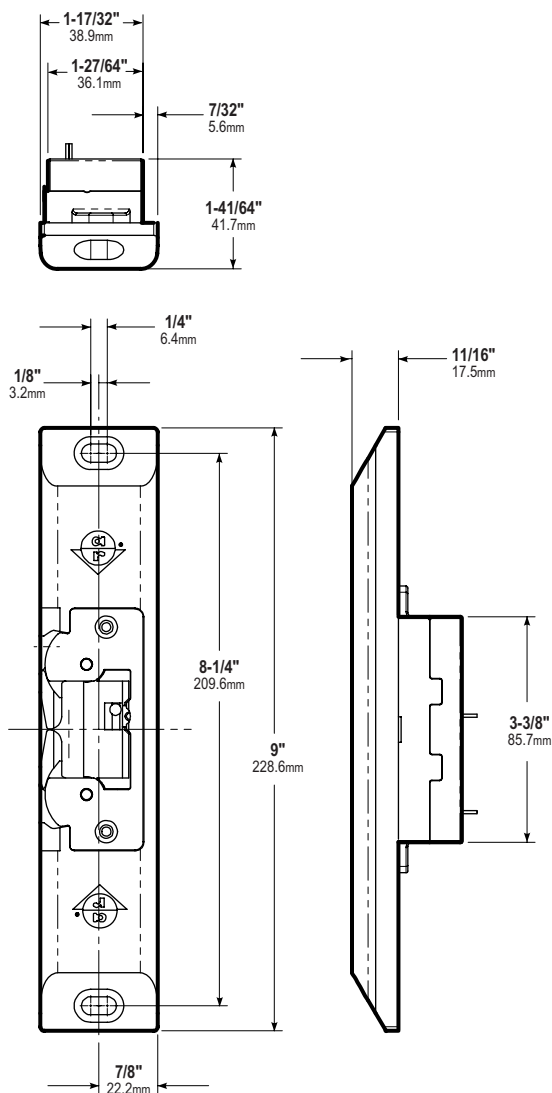
- Individually boxed with mounting plate shims, mounting screws, and installation instructions. Shipping weight approximately 2 lbs.

### OPTIONS

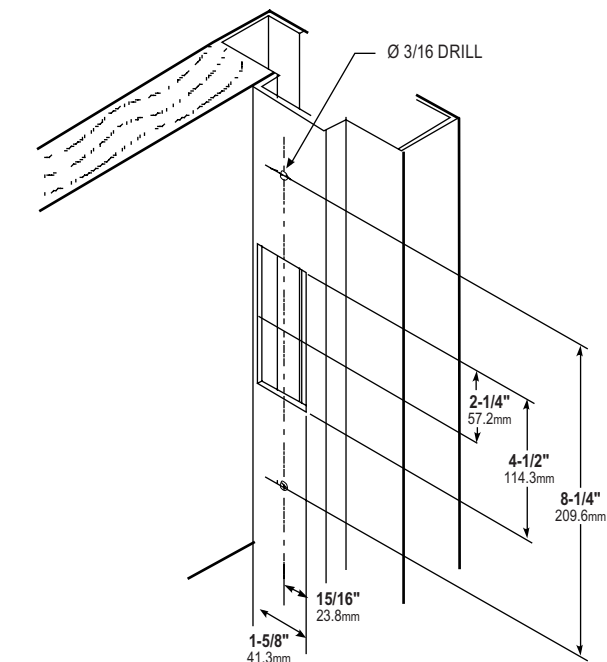
- Monitoring – Two internally mounted switches (Form "C") to indicate when the latchbolt is engaged in the strike jaws and a locked/unlocked solenoid status.
- ELX-ElectroLynx™ Adapter – Connects Adams Rite electrified products to ElectroLynx system.
- 16 VDC Adapter – VA7400-16VDC required when using 16 VDC power.

All measurements are approximate and are provided for informational purposes only. Refer to the product Installation Instructions.

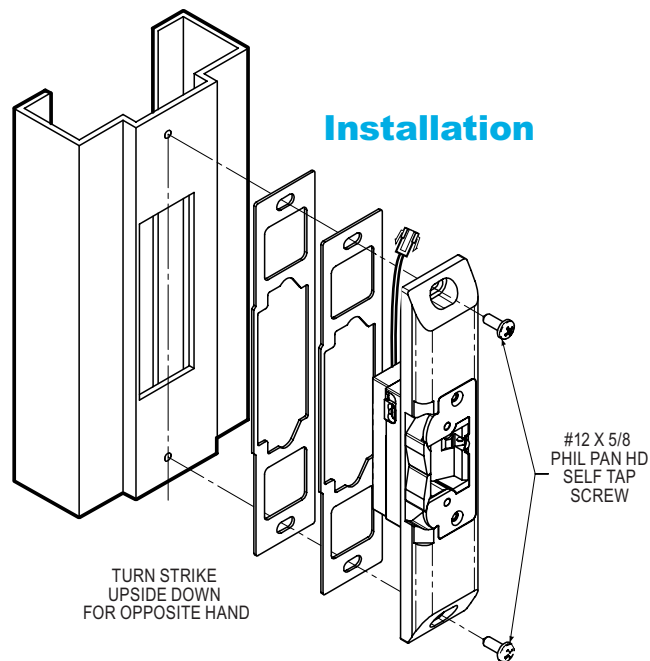
### Dimensions



### Jamb Preparation



### Installation



### HOW TO ORDER 74R1 ELECTRIC STRIKE

Specify quantity and the following information. Order related products separately.

PRODUCT NO.	FEATURES	FINISH
<b>74R1</b>	<b>M</b>	<b>-130</b>
	- None	119 To match 335 Black Anodized
	M Monitored	121 To match 313 Dark Bronze Anodized
		130 To match 628 Clear Anodized

Fail-secure can be field converted to fail-safe or vice-versa.

**RELATED PRODUCTS** When purchasing this product, please consider the following related products, available separately:

**Options**

ELX-ElectroLynx™ Adapter.  
VA7400-16VDC Adapter.

**Power**

4603 Rectifier, 4605/4606 Transformer, Piezo Horn audible indicator, PS-1.