



DWC-VSDG04Bi



Default Login Information: admin | admin

When logging into the camera for the first time, you will be prompted to set up a new password. You can set the new password using the DW® IP Finder™ software or directly from the camera's browser menu.

WHAT'S IN THE BOX

Quick setup and Installation Guides		1 set	Tapping Screws - 4pcs		1 set
Mounting Template		1	Plastic Plugs - 4pcs		1 set
Waterproof Cap		1 set	Rubber Plug		1
Hexagonal Wrench 0.11" (3mm)		1			

NOTE: Download all your support materials and tools in one place

- Go to: <http://www.digital-watchdog.com/resources>
- Search your product by entering the part number in the 'Search by Product' search bar. Results for applicable part numbers will populate automatically based on the part number you enter.
- Click 'Search'. All supported materials, including manuals and quick start guide (QSGs) will appear in the results.



Attention: This document is intended to serve as a quick reference for initial set-up. It is recommended that the user read the entire instruction manual for complete and proper installation and usage.

STEP 1 - PREPARING TO MOUNT THE CAMERA

- Using the mounting template or the camera itself, mark and drill the necessary holes in the wall or ceiling.
- For the installation process, remove the dome cover from the camera base using the included wrench.
- Using the mounting template sheet or the camera itself, mark and drill the necessary holes in the wall or ceiling.

STEP 2 - POWERING THE CAMERA

Pass the wires through and make all necessary connections.

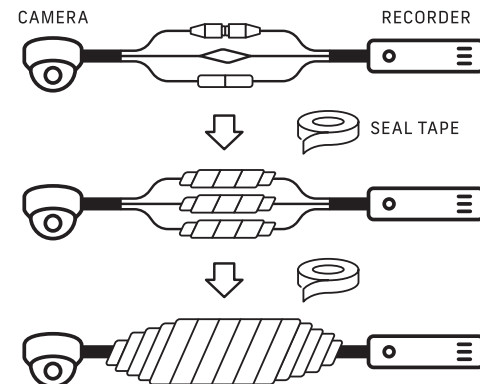
Use a PoE Switch or PoE Injector to connect data and power to the camera using a single Ethernet cable. Use a non-PoE Switch to connect data using an Ethernet cable and use a power adapter to power the camera.



Power requirements	Power consumption
DC12V, PoE (IEEE 802.3af class 2). Adapter not Included.	<4.5W

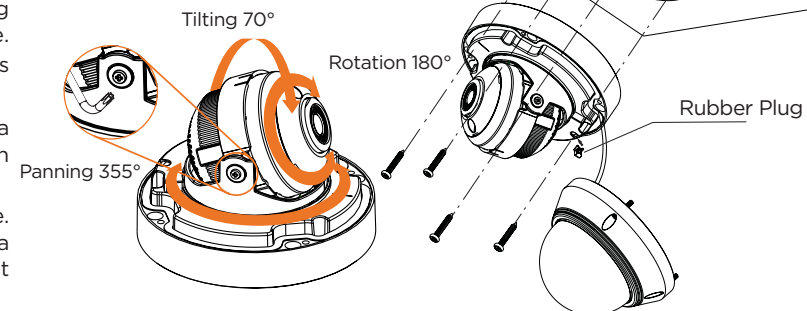
If needed, install the waterproof cap.

NOTE: In extreme environments use of an outdoor rated sealer is recommended.



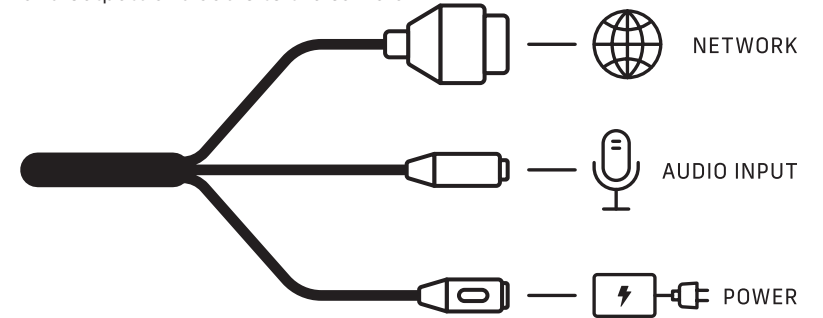
STEP 3 - INSTALLING THE CAMERA

- Mount the camera using the included screws and anchors.
- Adjust the camera's tilt and angle by loosening the tilt screw at the base of the camera module. Tighten the screw once the adjustment is complete.
- Assemble the dome cover over the camera body. Align the dome and bottom case to match the case outline.
- Remove the protective film from the dome. Softly wipe the dome with lens tissue or a microfiber cloth with ethanol to remove any dust or smudges left from the installation process.



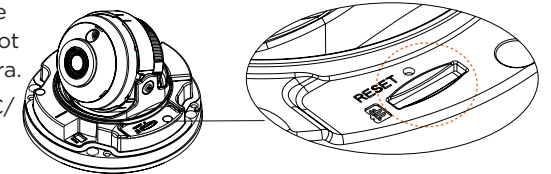
STEP 4 - CABLING

Use the diagram below to properly connect power, network, alarm input and outputs and audio to the camera.

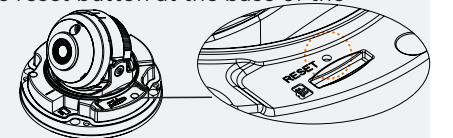


STEP 5 - MANAGING THE SD CARD (OPTIONAL)

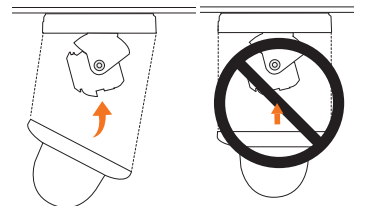
- Remove the cover dome to access the SD card slot at the base of the camera.
- Insert class 10 SD/SDHC/SDXC card into the SD card slot (max 256GB).
- Press the card inward until it clicks to release from the card slot.



Resetting the camera: Press the reset button at the base of the camera for five (5) seconds to initiate a camera-wide reset of all the settings, including network settings.



NOTE: Be careful not to alter the direction of the camera module.



STEP 6 – DW® IP FINDER™

Use the DW® IP Finder™ software to scan the network and detect all MEGApix® cameras, set the camera's network settings or access the camera's web client.

The screenshot shows the DW IP Finder software interface. On the left, there is a sidebar with various controls: 'Camera name', 'Select network to scan', 'Filter results', 'Scan network', 'Show/hide thumbnail view', 'Refresh thumbnail view', 'Bulk IP assignment', 'Bulk codec assignment', 'Bulk date/time assignment', 'Bulk password assignment', and 'Firmware upgrade'. The main area displays a table of detected devices with columns for Name, IP Address, Model, MAC Address, Netmask, Gateway, Port, DHCP, Version, Ping Test, Settings, and Uptime. A table with one row is visible: DWC-MF4W6C6, 192.168.21.144, DWC-MF4W6C6, 00:0D:F1:2B:7B:CB, 255.255.255.0, 192.168.21.1, 80, Disabled, A4.01.02_20190212. Callouts point to the 'Ping' and 'Click' buttons, and the 'Uptime' column. On the right, there are callouts for 'Firmware version', 'Camera's uptime', 'Open IP configuration settings', 'Ping camera', 'Camera's network information', and 'Camera's name, IP and MAC addresses'.

Network Setup

- To install the DW IP Finder, go to: <http://www.digital-watchdog.com>
- Enter "DW IP Finder" on the search box at the top of the page.
- Go to the "Software" tab on the DW IP Finder page to download and install the installation file.
- Open the DW IP Finder and click 'Scan Devices'. It will scan the selected network for all supported devices and list the results in the table. During the scan, the DW® logo will turn gray.
- When connecting to the camera for the first time, a password must be set.
 - Check the box next to the camera in the IP Finder's search results. You can select multiple cameras.
 - Click "Bulk Password Assign" on the left.
 - Enter admin/admin for the current username and password. Enter a new username and password to the right. Passwords must have a minimum of eight (8) characters and at least four (4) combinations of uppercase and lowercase letters, numbers and special characters. Passwords cannot contain the user ID.
 - Click "change" to apply all changes.

The screenshot shows the 'Bulk Password Assignment' dialog box. It has two sections: 'Current Account' and 'New Password'. The 'Current Account' section has fields for Username and Password. The 'New Password' section has fields for New, Confirm, and Hint. A 'Change' button is at the bottom right. Below the sections is a table with columns: Name, MAC Address, IP Address, Note. One row is visible: DWC-MF2W4T, 00:0D:F1:21:66:92, 192.168.10.159.

- Select a camera from the list by double-clicking on the camera's name or clicking on the 'Click' button. The pop-up window will show the camera's current network settings. Admin users can adjust the settings as needed. The camera's network settings are set to DHCP by default.
- To access the camera's web page, click on the 'Website' button.
- To save changes made to the camera's settings, enter the username and password of the camera's admin account and click 'Apply'.

The screenshot shows the 'DW Camera Settings' dialog box. It has fields for Camera Name (DWC-MF4W6C6) and MAC Address (00:0D:F1:2B:7B:CB). There are radio buttons for DHCP and Static IP. Below are fields for IP Address (192.168.21.144), Netmask (255.255.255.0), Gateway (192.168.21.1), and DNS (8.8.8.8). At the bottom, there is a 'Camera Account' section with fields for Username (admin) and Password (masked). Buttons for Website, Apply, Reboot, and Cancel are at the bottom.

- i** Select 'DHCP' for the camera to automatically receive its IP address from the DHCP server.
 - i** Select 'Static' to manually enter the camera's IP address, (Sub)Netmask, Gateway and DNS information.
 - i** The camera's IP must be set to static if connecting to Spectrum® IPVMS.
 - i** Contact your network administrator for more information.
- i** To access the camera from an external network, port forwarding must be set in your network's router.

STEP 7 – WEB VIEWER

The screenshot shows the DW IP Finder web viewer interface. On the left, there is a control panel with a 'Live' indicator, a directional pad, and buttons for Zoom, Iris, and Focus. The main area shows a live video feed of a street scene. At the bottom, there are buttons for AUDIO ON, SNAPSHOT, D-ZOOM IN, D-ZOOM OUT, ZOOM FOCUS, and (NO EVENT INFO). The DW logo and '© Digital Watchdog All Rights Reserved' are at the bottom left.

The GUI display may differ by camera models.

- Find the camera using the DW IP Finder.
- Double-click on the camera's view in the results table.
- Press the 'Website' button. The camera's web viewer will open up in your default web browser.
- Enter the camera's username and password you setup in the DW IP Finder. If you did not setup a new username and password via the DW IP Finder, a message will direct you to setup a new password for the camera before gaining access.

The screenshot shows the 'Change admin's password' dialog box. It has fields for Old Password, New Password, and Retype Password. There is a checkbox for 'Modify Onvif User' which is checked. A 'CHANGE PASSWORD' button is at the bottom right.

To open the camera using the web browser:

- Open a web browser.
- Enter the camera's IP address and port in the address bar. Example: `http://<ipaddress>:<port>`. Port forwarding may be necessary to access the camera from a different network. Contact your network administrator for more information.
- Enter the camera's username and password you setup in the DW IP Finder.

NOTE: Some menu options may not be available based on the camera model. See the full manual for more information.