



# Guardian TQ-230W Wide Band Outdoor Yagi Antenna

## FEATURES

- Wide Band (698 – 2700 MHz)
- 2G/3G/4G and WLAN systems
- Directional antenna – designed to be pointed directly at the cellular tower
- 8 dBi Gain
- Designed for outdoor use only

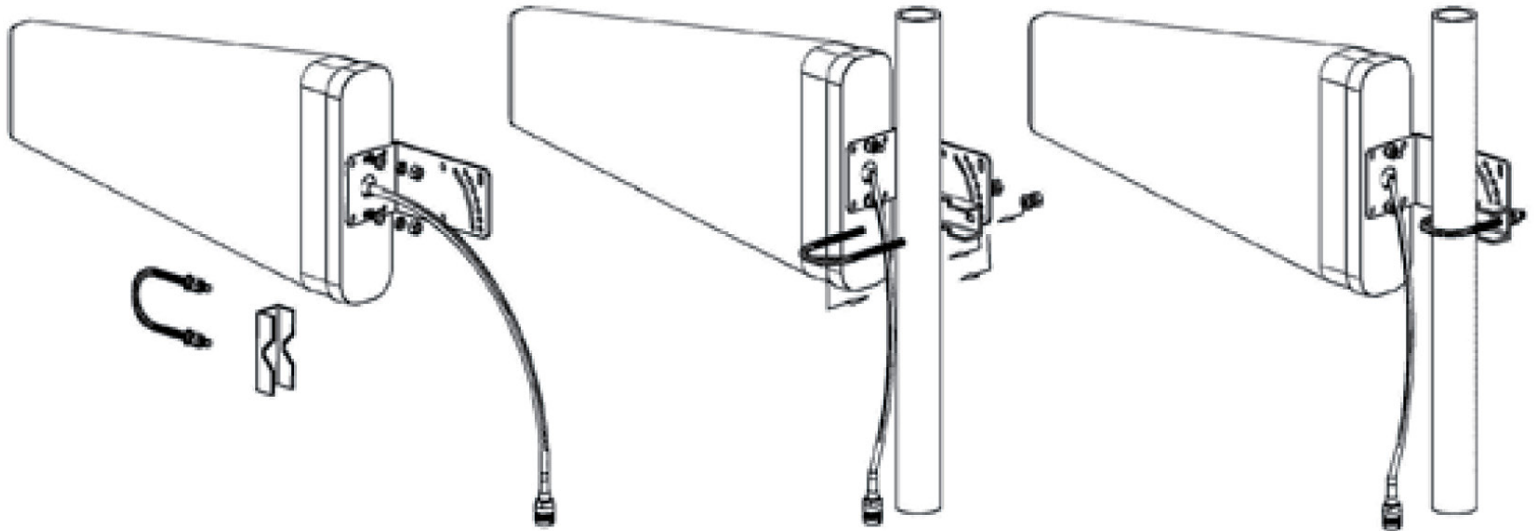


The TQ-230W is an outdoor yagi antenna that can be aimed in the direction of the closest cellular tower and pick up signals up to 30 miles away. The wide band yagi antenna is designed to cover 2G/3G/4G/and WLAN systems for Cellular, PCS, AWS and LTE frequencies.

When installing, any metallic rods must be at least 3 feet from the antenna. Mount the entire assembly to a 1 to 2 inch diameter pole (not included). In addition to the antenna, mounting equipment is included for mounting to either a flat horizontal surface or wall. For best results, the white fiber-glass portion of the antenna should be mounted above the roof line and unobstructed in the direction of the tower.

## Technical Specifications

Frequency	698-806 / 806-960 / 1710-2700 MHz
Input Impedance	50 ohm
Antenna Gain	8 dBi
VSWR	≤1.8
Polarization Type	Vertical
Radiation	Directional
Maximum Power	50 Watt
Connector Type	N-Female
Diameter	Φ40~50
Dimension	17.3" x 8" x 1.45"
Color	White
Weight	2 lb 4 oz
Beamwidth	E50 H75 / E50 H75 / E40 H60



### Installation

1. Install U-Bolt on pole
2. Slide pipe clamp over U-Bolt with the flat side facing away from the pipe.
3. Slide antenna bracket onto U-Bolt in desired location.
4. Install flat washer, split washer and nut, hand tighten

**Note:** Antenna may be installed on a variety of pipe angles. Ensure that the antenna is pointing in the direction of the closest cellular tower, and is vertical with the drip hole at the bottom.

### Ordering Information

Model	Description	Stock No.
TQ-230W	TQ-230W Wide Band Yagi Dir 50 ohm, 10 to 11dBi (inc mounting kit)	3996048