



2N[®] IP Force

Security IP Intercom



Installation Manual

Version: 2.17

www.2n.cz

The 2N TELEKOMUNIKACE a.s. is a Czech manufacturer and supplier of telecommunications equipment.



The product family developed by 2N TELEKOMUNIKACE a.s. includes GSM gateways, private branch exchanges (PBX), and door and lift communicators. 2N TELEKOMUNIKACE a.s. has been ranked among the Czech top companies for years and represented a symbol of stability and prosperity on the telecommunications market for almost two decades. At present, we export our products into over 120 countries worldwide and have exclusive distributors on all continents.



2N[®] is a registered trademark of 2N TELEKOMUNIKACE a.s. Any product and/or other names mentioned herein are registered trademarks and/or trademarks or brands protected by law.



2N TELEKOMUNIKACE a.s. administers the FAQ database to help you quickly find information and to answer your questions about 2N products and services. On www.faq.2n.cz you can find information regarding products adjustment and instructions for optimum use and procedures „What to do if...“.



2N TELEKOMUNIKACE a.s. hereby declares that the 2N product complies with all basic requirements and other relevant provisions of the 1999/5/EC directive. For the full wording of the Declaration of Conformity see the CD-ROM (if enclosed) or our website at www.2n.cz.



This device complies with part 15 of the FCC Rules. Operation is subject to the following two conditions: (1) This device may not cause harmful interference, and (2) this device must accept any interference received, including interference that may cause undesired operation.



The 2N TELEKOMUNIKACE a.s. is the holder of the ISO 9001:2009 certificate. All development, production and distribution processes of the company are managed by this standard and guarantee a high quality, technical level and professional aspect of all our products.

Content:

- 1. Product Overview
 - 1.1 Components and Associated Products
 - 1.2 Terms and Symbols
- 2. Description and Installation
 - 2.1 Before You Start
 - 2.2 Mechanical Installation
 - 2.3 Electric Installation
 - 2.3.1 Přepěťová ochrana
 - 2.4 Extending Module Connection
 - 2.5 Button Tags
- 3. Function and Use
 - 3.1 Configuration
 - 3.2 Control
 - 3.3 Maintenance
 - 3.4 Downloads
- 4. Technical Parameters
 - 4.1 General drawings
- 5. Supplementary Information
 - 5.1 Troubleshooting
 - 5.2 Directives, Laws and Regulations
 - 5.3 General Instructions and Cautions

1. Product Overview

Here is what you can find in this section:

- 1.1 Components and Associated Products
- 1.2 Terms and Symbols

Basic Features

2N[®] IP Force is a highly resistant and reliable IP door access intercom provided with a lot of useful above-standard functions. Supporting the SIP standard and being compatible with the leading IP PBX and telephone suppliers, **2N[®] IP Force** can make use of all VoIP services. **2N[®] IP Force** can work as a standard or emergency door access intercom for buildings, entrances to premises or garages, manufacturing halls, highways and so on.

2N[®] IP Force is equipped with two very sensitive microphones and an up to 10W loudspeaker. Thanks to an integrated acoustic echo cancelling (AEC) system, the product provides mutual audibility even of persons talking at the same time under normal conditions.

2N[®] IP Force can be equipped with a colour wide-angle camera, which displays the calling person on the called party's video telephone or PC monitor.

2N[®] IP Force can be provided with 1, 2 or 4 pre-programmed buttons. You can set up to three telephone numbers and time profiles for each of the buttons to increase the accessibility of the called party.

2N[®] IP Force can be equipped with a numerical keypad to be used as a code lock for lock switch activating or telephone/subscriber number dialling.

2N[®] IP Force is equipped with an electric lock switch. You can control the switch using a numerical keypad or, during a call, using any telephone set. An additional switch module can be installed if necessary. A wide range of settings allow for a variety of applications.

2N[®] IP Force can also be provided with RFID card reader modules.

2N[®] IP Force is very easy to install. All you have to do is connect the system into your LAN via a network cable and feed it from a 12 V power supply or your PoE supporting LAN.

Configure **2N[®] IP Force** using your PC via any web browser. Use the **2N[®] Access Commander** to manage extensive **2N[®] IP Force** systems easily and quickly.

Advantages of Use

- Uncompromising Antivandal design
- High coverage level – up to class IP69K
- Variable mounting options (brick/plasterboard flush mounting, surface mounting)
- Sensitive microphone and powerful loudspeaker
- Bidirectional communication – acoustic echo cancelling
- Integrated colour camera with wide-angle lens
- Optional dial buttons including name tags and backlight
- Optional numerical keypad with backlight
- Integrated electronic lock switches with wide setting options
- Optional integrated RFID card reader module
- LAN (PoE) or external 12 V power supply
- Configuration via web interface or dedicated PC application
- SIP 2.0 support
- Up to 1999 telephone directory positions
- Up to 20 user time profiles
- Video codecs (H.263, H.263+, H.264, MPEG-4, JPEG)
- Audio codecs (G.711, G.729, G.722, L16/16kHz)
- HTTP server for configuration
- SNTP client for time synchronisation with server
- RTSP server for video streaming
- SMTP client for e-mail sending

-
- TFTP client for automatic configuration and firmware update

1.1 Components and Associated Products

2N[®] IP Force Components and Associated Products:



Basic Units

| One-Button | |
|---|--|
| <p>2N Part No. 9151101W Axis Part No. 01336-001</p>  | <ul style="list-style-type: none">• 1 button• control of two electric locks• additional switch connection option• 10 W loudspeaker, IP69K |
| <p>Part No. 9151101CW</p>  | <ul style="list-style-type: none">• IP69K• 1 button• camera• 10 W loudspeaker, IP69K• extra robust version• control of two electric locks• additional switch connection option |

One-Button

2N Part No. 9151101CHW

Axis Part No. 01337-001



- IP69K
- 1 button
- HD camera
- control of two electric locks
- additional switch connection option
- 10 W loudspeaker
- night vision

2N Part No. 9151101RPW

Axis Part No. 01335-001



- 1 button, pictograms,
- possibility of connecting card reader
- control of two electric locks
- additional switch connection option
- 10 W loudspeaker, IP69K

One-Button

2N Part No.
9151101CRPW



- 1 button, pictograms
- with camera
- possibility of connecting card reader
- control of two electric locks
- additional switch connection option
- 10 W loudspeaker, IP69K

2N Part No.
9151101CHRPW
Axis Part No. 01334-001



- 1 button, pictograms,
- with HD camera,
- possibility of connecting card reader
- control of two electric locks
- additional switch connection option
- 10 W loudspeaker, IP69K
- night vision

One-Button

2N Part No. 9151101KW

Axis Part No. 01338-001



- 10 W loudspeaker, IP69K
- 1 button
- keypad
- control of two electric locks
- additional switch connection option

2N Part No. 9151101CKW



- 10 W loudspeaker, IP69K
- 1 button
- keypad
- camera
- control of two electric locks
- additional switch connection option

One-Button

2N Part No.
9151101CHKW

Axis Part No. 01339-001



- 10 W loudspeaker, IP69K
- 1 button
- keypad
- HD camera
- control of two electric locks
- additional switch connection option
- night vision

Two-Button

2N Part No.
9151102CHRW

Axis Part No. 01340-001



- 2 buttons
- HD camera
- possibility of connecting card reader
- control of two electric locks
- additional switch connection option
- 10 W loudspeaker, IP69K
- night vision

Two-Button

2N Part No. 9151102CRW



- 2 buttons
- camera
- possibility of connecting card reader
- control of two electric locks
- additional switch connection option
- 10 W loudspeaker, IP69K

2N Part No. 9151102RW

Axis Part No. 01341-001



- 2 buttons
- card reader connection option
- control of two electric locks
- additional switch connection option
- 10 W loudspeaker, IP69K

Two-Button

2N Part No. 9151102-X1



- 10W loudspeaker, IP69K
- 2 buttons with INFO and SOS labels
- anti-vandal buttons made of stainless steel
- Note: customization available per request

Four-Button

2N Part No. 9151104W

Axis Part No. 01342-001



- 10 W loudspeaker, IP69K
- 4 buttons
- control of two electric locks
- additional switch connection option

2N Part No. 9151104CW



- 10 W loudspeaker, IP69K
- 4 buttons
- camera
- control of two electric locks
- possibility of connecting additional switch

Four-Button

2N Part No. 9151104CHW

Axis Part No. 01343-001



- 10 W loudspeaker, IP69K
- 4 buttons
- HD camera
- control of two electric locks
- additional switch connection option
- night vision

2N[®] IP Force is designed for outdoor applications and requires no additional roof. W- including Part Nos. are intended for WAP pressure cleaning and extremely noisy environments (such as highways, etc.).

2N[®] IP Force units can be flush or wall mounted without requiring any additional accessories. Use the appropriate mounting box (see below) for plasterboard and hollow brick flush mounting.

Flush Mounting Box



- frame
- included with basic unit

2N Part No. 9151001
Axis Part No. 01348-001



- Brick flush mounting box
- Dimension: 132 x 223 x 83 mm

2N Part No. 9151002
Axis Part No. 01349-001



- Plasterboard flush mounting box
- Dimension: 237 x 129 x 70 mm
- Hole: 237 x 118 mm

Mounting Accessories

2N Part No. 9151005

Axis Part No. 01351-001





- Gooseneck stand
- Height 120 cm (47 inch) to the intercom top

2N Part No. 9151007

Axis Part No. 01550-001




- Gooseneck stand double
- Height: 115 cm (45") and 203 cm (80")



| | |
|---|---|
| <p>2N Part No. 9151006 Axis Part No. 01352-001</p>  A rectangular metal installation adapter with a central cutout. Inside the cutout, there is a smaller rectangular component with a red logo consisting of three vertical bars. | <ul style="list-style-type: none">• Installation adapter (US only) |
| <p>2N Part No. 9151018 Axis Part No. 01345-001</p>  A set of security screws, including a long Torx screwdriver handle and four screws of varying lengths. | <ul style="list-style-type: none">• Security screws• An alternative safer than regular screws• Torx with a pin. Supplied with the appropriate handle. |

Internal Units and Accessories




| | |
|--|---|
| <p>Part Numbers:</p> <p>2N Part No. 91378375</p> <p>Axis Part No. 01668-001</p> <p>2N Part No. 91378376</p> <p>Axis Part No. 01670-001</p>  | <ul style="list-style-type: none"> • 2N[®] Indoor Touch 2.0 – black • WiFi version (latter Part No.) • 2N[®] Indoor Touch 2.0, an elegant internal touch panel, is suitable for all 2N IP intercoms. On the panel's display not only can you find out who is at the door, but you can also start conversation with the visitor, open the lock or turn on the light in the entrance hall. |
| <p>2N Part No. 91378382</p> <p>Axis Part No. 01425-001</p>  | <ul style="list-style-type: none"> • 2N[®] Indoor Touch desk stand black |
| <p>Part Numbers:</p> <p>2N Part No. 91378375WH</p> <p>Axis Part No. 01669-001</p> <p>2N Part No. 91378376WH</p> <p>Axis Part No. 01671-001</p>  | <ul style="list-style-type: none"> • 2N[®] Indoor Touch 2.0 – white • WiFi version (latter Part No.) • 2N[®] Indoor Touch 2.0, an elegant internal touch panel, is suitable for all 2N IP intercoms. On the panel's display not only can you find out who is at the door, but you can also start conversation with the visitor, open the lock or turn on the light in the entrance hall. |




| | |
|--|--|
| | |
| <p>2N Part No. 91378382W Axis Part No. 01426-001</p>  | <ul style="list-style-type: none">• 2N[®] Indoor Touch desk stand white |

VoIP Telephones

| | |
|---|---|
| <p>2N Part No. 91378357 Axis Part No. 01422-001</p>  | <ul style="list-style-type: none">• Grandstream GXV3240 VoIP video telephone• GXV3240 is the successor to the popular GXV3140 model, which allows for comfortable video calls in the IP network. Touchscreen and keyboard control. |
| <p>2N Part No. 91378358 Axis Part No. 01421-001</p>  | <ul style="list-style-type: none">• Grandstream GXV3275 VoIP telephone• GXV3275 is the successor to the popular GXV3175 model, which allows for comfortable video calls in the IP network. Touchscreen control. |

Electric Locks

| | |
|--|--|
| <p>2N Part No. 932071E</p>  | <ul style="list-style-type: none">• BEFO 11211• 12 V / 230 mA DC• low consumption |
| <p>2N Part No. 932081E</p>  | <ul style="list-style-type: none">• BEFO 11221 with momentum pin• 12 V / 230 mA DC• low consumption• A short (momentum) electric pulse is sufficient for unlocking the door into the OPEN position. After the door is passed through, the lock is in the CLOSED position again. |
| <p>2N Part No. 932091E</p>  | <ul style="list-style-type: none">• BEFO 11211MB with mechanical blocking• 12 V / 230 mA DC• low consumption• Enables to mechanically close or open the lock. Once unlocked, the lock keeps open all the time. Once closed, the lock behaves as a standard electrical lock. |

| | |
|--|---|
| <p>2N Part No. 932061E</p>  | <ul style="list-style-type: none"> • BEFO 211211 door signalling, low consumption • 12 V / 230 mA • Regular lock with a built-in contact to indicate whether the door is open or closed. |
| <p>2N Part No. 932072E</p>  | <ul style="list-style-type: none"> • BEFO 31211 • fail-safe • 12 V / 170 mA DC • The failsafe lock is closed when electricity is switched on. When electricity is interrupted, the lock is opened. |
| <p>2N Part No. 932062E</p>  | <ul style="list-style-type: none"> • BEFO 321211 • fail-safe, door signalling • 12 V / 170 mA • The failsafe lock is closed when electricity is switched on. When electricity is interrupted, the lock is opened. • It contains a built-in contact to indicate whether the door is open or closed. |

 **Tip**

- FAQ: Electric locks - Difference between locks in 2N IP intercom accessories

Power Supply

Part Numbers:

2N Part No. 91378100E

2N Part No. 91378100US

2N Axis Part No. 01403-001



- PoE injector - with EU cable
- PoE injector - with US cable
- For intercom power supply via an Ethernet cable where no PoE switch is available.

2N Part No. 91341481E



- Stabilised 12 V / 2 A power supply needs to be used where no PoE is available.

2N Part No. 932928



- 12 V transformer
- For 230 V mains voltage.
- For external power supply of the lock with 12 V AC voltage.

Additional Modules

2N Part No. 9151010

Axis Part No. 01350-001



- Additional switch
- Including:
 - relay switch - 30 V / 1 A NO/NC contact
 - active 12 V / 600 mA output
 - digital input
- tamper switch for 2N[®] IP Force front panel opening signalling

2N Part No. 9151011

Axis Part No. 01344-001








- Internal RFID card reader 125 kHz for installation in 2N[®] IP Force intercoms. Allows the use of EM4xxx cards. Another two switches, two logical inputs and a Wiegand interface are available. It is compatible with the 2N[®] IP Force two-button and pictogram models.
- Includes a tamper switch to signal when the front panel is opened.




2N Part No. 9151031



- Internal RFID card reader 13.56 MHz NFC/HCE
Ready for 2N[®] IP Force mounting. Two switches, two logical inputs and a Wiegand interface are available. It is compatible with the 2N[®] IP Force two-button and pictogram models.
- Includes a tamper switch to signal when the front panel is opened.
- Allows the use 13.56 MHz cards of these standards (only card serial number is read):
 - ISO14443A (Mifare, DESFire)
 - PicoPass (HID iClass)
 - FeliCa
 - ST SR(IX)
 - 2N[®] Mobile Key

| | |
|--|---|
| <p>2N Part No. 9151031S Axis Part No. 01730-001</p>  | <ul style="list-style-type: none"> • Internal secured RFID card reader 13.56 MHz NFC/HCE Ready for 2N[®] IP Force mounting. Two switches, two logical inputs and a Wiegand interface are available. It is compatible with the 2N[®] IP Force two-button and pictogram models. • Includes a tamper switch to signal when the front panel is opened. • Allows the use 13.56 MHz cards of these standards (only card serial number is read): <ul style="list-style-type: none"> • ISO14443A (Mifare, DESFire) • PicoPass (HID iClass) • FeliCa • ST SR(IX) • 2N[®] Mobile Key • HID SE (Seos, iClass SE, Mifare SE) |
| <p>2N Part No. 9159010 Axis Part No. 01386-001</p>  | <ul style="list-style-type: none"> • 2N[®] Security Relay • A handy add-on that significantly enhances door entry security as it prevents tampering with the intercom and forced opening of the lock. To be installed between intercom and lock, powered by the intercom. |
| <p>2N Part No. 9159011 Axis Part No. 01387-001</p>  | <ul style="list-style-type: none"> • Wiegand Isolator • The 2N[®] IP Wiegand Isolator is designed for galvanic isolation of two devices separately power supplied and interconnected via the Wiegand bus. The Wiegand Isolator protects the interconnected devices against communication errors and/or damage. |

| | |
|--|--|
| <p>2N Part No. 9137410E</p> <p>Axis Part No. 01397-001</p>  | <ul style="list-style-type: none"> • External IP Relay - 1 output • Standalone IP device which can be controlled by HTTP commands sent by 2N IP intercom, which can thus control devices on unlimited distance. |
| <p>2N Part No. 9137411E</p> <p>Axis Part No. 01398-001</p>  | <ul style="list-style-type: none"> • External IP Relay - 4 outputs, PoE • Standalone IP device which can be controlled by HTTP commands sent by 2N IP intercom, which can thus control devices on unlimited distance. |
| <p>2N Part No. 9134165E</p> <p>Axis Part No. 01395-001</p>  | <ul style="list-style-type: none"> • RFID card, type EM4100, 125 kHz |

| | |
|---|---|
| <p>2N Part No. 9134166E Axis Part No. 01396-001</p>  A blue, oval-shaped RFID fob with a silver metal ring attached to one end. | <ul style="list-style-type: none">• RFID fob, type EM4100, 125 kHz |
| <p>2N Part No. 9134173 Axis Part No. 01384-001</p>  A white, rectangular Mifare Classic 1k RFID card. | <ul style="list-style-type: none">• Mifare Classic 1k RFID card, 13.56 MHz |
| <p>2N Part No. 9159050 Axis Part No. 01391-001</p>  A white, rectangular 2N Induction Loop device. The top surface features a blue graphic of a person's head with sound waves and the text '2N' and 'Loop'. | <ul style="list-style-type: none">• 2N[®] Induction Loop• An induction loop transmits sound wirelessly from the 2N IP intercom to the earphones of people with hearing disabilities and enables them to hear and perceive sounds better. |

| | |
|---|---|
| <p>2N Part No. 9159052 Axis Part No. 01393-001</p>  | <ul style="list-style-type: none"> • Power supply for 2N[®] Induction Loop • External power supply for the induction loop • Input 230 V AC • Output 12 V DC |
| <p>2N Part No. 9134174 Axis Part No. 01385-001</p>  | <ul style="list-style-type: none"> • Mifare Classic 1k RFID fob, 13.56 MHz |
| <p>2N Part No. 9159014EU/UK 2N Part No. 9159014US Axis Part No. 01404-001</p>  | <ul style="list-style-type: none"> • 2N[®] 2Wire • (set of 2 adaptors and power source for EU/US /UK) • The 2N[®] 2Wire converter allows you to use the existing wiring (2 wires) from your original doorbell or door intercom to connect any IP device. You do not have to configure anything; all you need is a 2N[®] 2Wire unit at each end of the cable and a power source connected to at least one of these units. <p>The 2N[®] 2Wire unit then provides PoE power not only to the second converter, but also to all the other connected IP end devices.</p> |

2N Part No. 9159013



- Exit button
- (suitable for Internal RFID card reader or Security relay)
- A button for connection to a logic input for opening a door inside a building.

2N Part No. 9159012

Axis Part No. 01388-001




- Magnetic door contact
- (Suitable for Internal RFID card reader)
- Set for installation on a door, enabling the status of door opening to be ascertained. Used when the intercom is used for door protection, to detect when the door is not closed or forcibly opened.


2N Part No. 9159030



Axis Part No. 01389-001



- External RFID card reader, 125 kHz
- Secondary reader for connection to an internal reader. Provides card entry control from both sides of the door. IP68 cover, also suitable for exteriors. Reads EM4xxx cards.

| | |
|---|---|
| <p>2N Part No. 9159031 Axis Part No. 01390-001</p>  | <ul style="list-style-type: none"> • External 13.56 MHz Mifare RFID card reader, Wiegand • Secondary reader for connection to an internal reader. Provides card entry control from both sides of the door. IP68 cover, also suitable for exteriors. Reads Mifare cards. |
| <p>2N Part No. 9154004 Axis part No. 01479-001</p>  | <ul style="list-style-type: none"> • Water-proof metal button • (Suitable for Internal RFID card reader) |
| <p>2N Part No. 9137420E Axis Part No. 01399-001</p>  | <ul style="list-style-type: none"> • External RFID card reader for connection to a PC using a USB interface. Suitable for system management and the addition of EM41xx cards via the PC application, 2N[®] Access Commander . |

| | |
|---|--|
| <p>2N Part No. 9137421E Axis Part No. 01400-001</p>  | <ul style="list-style-type: none"> • Ext. RFID Reader 13.56 MHz, 125 kHz + NFC /HCE (USB interface) • External RFID card reader for connection to PC using a USB interface. Suitable for system administration and adding 13.56 MHz, 125 kHz cards and Android platform devices supporting NFC/HCE using 2N IP intercom web interface or the 2N[®] Access Commander application. It reads the same types of cards and devices as the card readers in 2N IP intercoms. <ul style="list-style-type: none"> • 13.56 MHz/ISO/IEC 14443A Mifare Classic 1k & 4k, DESFire EV1, Mini, Plus S&X, Ultralight, Ultralight C • 13.56 MHz/ISO/IEC 14443B CEPAS, HID iCLASS (CSN only) • 13.56 MHz/JIS X 6319 Felica • ISO/IEC 18092 SmartPhone with NFC /HCE support, since Android version 4.3 (2N[®] Mobile Key app required) • EMarine |
| <p>2N Part No. 9137424E Axis part No. 01527-001</p>  | <ul style="list-style-type: none"> • Ext. secured RFID Reader 13.56 MHz, 125 kHz + NFC/HCE (USB interface) • External secured RFID card reader for connection to PC using a USB interface. Suitable for system administration and adding 13.56 MHz, 125 kHz cards and Android platform devices supporting NFC/HCE using 2N IP intercom web interface or the 2N[®] Access Commander application. It reads the same types of cards and devices as the card readers in 2N IP intercoms. <ul style="list-style-type: none"> • 13.56 MHz/ISO/IEC 14443A Mifare Classic 1k & 4k, DESFire EV1, Mini, Plus S&X, Ultralight, Ultralight C • 13.56 MHz/ISO/IEC 14443B CEPAS, HID iCLASS (CSN or PAC ID) • 13.56 MHz/JIS X 6319 Felica |

| | |
|---|---|
| | <ul style="list-style-type: none"> • <u>ISO/IEC 18092</u> SmartPhone with NFC /HCE support, since Android version 4.3 (2N[®] Mobile Key app required) • EMarine |
| <p>2N Part No. 9159051 Axis Part No. 01392-001</p>  | <ul style="list-style-type: none"> • 2N[®] Induction loop - external antenna • External antenna boosts the range of usability of the induction loop, so that the disabled user can receive the audio signal in a wider area. Use an external antenna with the induction loop, Part No. 9159050. A 170 cm long interconnecting cable is included. |
| <p>2N Part No. 9160501 Axis Part No. 0820-001</p>  | <ul style="list-style-type: none"> • AXIS A9188 Network I/O relay module • Lift control relay module for up to 8 floors |

License

| | |
|--|--|
| 2N Part No. 9137905 Axis Part No. 01376-001 | <ul style="list-style-type: none">• Enhanced Audio |
| 2N Part No. 9137906 Axis Part No. 01377-001 | <ul style="list-style-type: none">• Enhanced Video |
| 2N Part No. 9137907 Axis Part No. 01378-001 | <ul style="list-style-type: none">• Enhanced Integration |
| 2N Part No. 9137908 Axis Part No. 01379-001 | <ul style="list-style-type: none">• Enhanced Security |
| 2N Part No. 9137909 Axis Part No. 01380-001 | <ul style="list-style-type: none">• Gold |
| 2N Part No. 9137910 Axis Part No. 01381-001 | <ul style="list-style-type: none">• InformaCast |
| 2N Part No. 9137915 Axis Part No. 01382-001 | <ul style="list-style-type: none">• NFC |

| | |
|--|---|
| | |
| 2N Part No. 9137916 Axis Part No. 02001-001 | <ul style="list-style-type: none">• Lift Module |

✔ **Tip**

- Refer to the Configuration Manual for 2N IP intercoms, Subs. **3.2 Function Licensing** for details.

✔ **Tip**

- For more accessories and particular advice please contact your local distributor of 2N products.

✔ **Tip**

- FAQ: Induction loop - How to connect it with 2N IP intercoms

1.2 Terms and Symbols

The following symbols and pictograms are used in the manual:

Safety

- Always abide by this information to prevent persons from injury.

Warning

- Always abide by this information to prevent damage to the device.

Caution

- Important information for system functionality.

Tip

- Useful information for quick and efficient functionality.

Note

- Routines or advice for efficient use of the device.

2. Description and Installation

Here is what you can find in this section:

- 2.1 Before You Start
- 2.2 Mechanical Installation
- 2.3 Electric Installation
- 2.4 Extending Module Connection
- 2.5 Button Tags

2.1 Before You Start

Product Completeness Check

Before you start please check the contents of your 2N[®] IP Force delivery:

- 1x 2N[®] IP Force
- 1x frame (of the corresponding colour)
- 1x Torx 10 / Torx 20 double-ended wrench
- Bushings (enclosed):
 - 1x big two-hole sealed bushing with nut
 - 1x spare sealing for big bushing for a thick cable, one hole
 - 1x big blank with nut
 - 1x small bushing with nut
 - 1x bushing plug, big size
 - 2x bushing plugs, small size
- 1x Brief Manual
- 1x mounting template
- 1x A5 transparent name plate foil
- 1x spare name tag
- 1x grounding connector with the screw
- 4x (5 x 90) mm screws
- 4x "intelligent" (8 x 50) mm dowels
- 1x Certificate of ownership

2.2 Mechanical Installation

Content

Common Mounting Principles

Flush Mounting - Classic Bricks

Flush Mounting - Thermally Insulated Wall

Flush Mounting - Plasterboard

Flush Mounting - Hollow Bricks

Wall Mounting

Use of Cable Bushings

Common Mounting Principles

 **Tip**

- Select flush mounting where possible to make your product elegant looking, more vandal resistant and more secure.
- You can purchase the flush mounting box in advance and hire an installation professional to make the basic installation work. Moreover, the mounting box helps you align the intercom vertically (with a deviation of up to 2°).

 **Caution**

- Before starting the mechanical installation on a selected place, make sure carefully that the preparations connected with it (drilling, wall cutting) cannot damage the electrical, gas, water and other existing wires and pipes.
- Make sure that the dowel holes have the required diameter. If the diameter is too large, the dowels may get loose. Use some suitable building adhesive to keep the dowels in place.
- Make sure that the hole depth is sufficient too! The dowel length is 50 mm and the screw length is 90 mm.
- Remember that dowels of poor quality may easily get loose and fall out of the wall!
- Stainless steel screws are used for the **2N[®] IP Force** assembly. Other screws than stainless steel ones corrode soon and may aesthetically deteriorate the surrounding environment!
- Having removed the front panel, make sure that no dirt gets inside the product (especially onto the sealing surface and microphone sound guides).

 **Caution**

- The warranty does not apply to the product defects and failures arisen as a result of improper mounting (in contradiction herewith). The manufacturer is neither liable for damages caused by theft within an area that is accessible after the attached electric lock is switched. The product is not designed as a burglar protection device except when used in combination with a standard lock, which has the security function.
- When the proper mounting instructions are not met, water might get in and destroy the electronics. It is because the intercom circuits are under continuous voltage and water infiltration causes an electro-chemical reaction. The manufacturer's warranty shall be void for products damaged in this way!

i Note

- The microphone sound guides are normally loose after the front panel is removed! The screw is only used as a fall-out protection during installation.

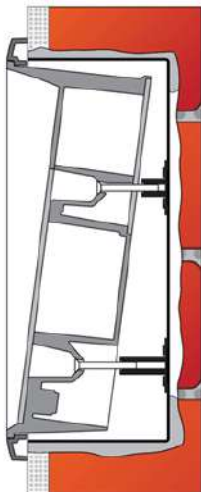
i Warning

Be sure keep strictly the hole dimensions while mounting the device into classic bricks without the flush mounting box as shown in the picture with dimensions.

Flush Mounting - Classic Bricks

What You Need:

- The brick flush mounting box, Part No. 9151001
- Hole: (132 x 223 x 83) mm



If you use the brick flush mounting box, follow the instructions below:

1. Make a hole using the template.
2. Suppose that all the required cables have been carried into the hole.
3. Put the intercom inside and place the set onto the hole to make sure that the hole is deep enough and the uneven edge is perfectly covered with the frame.
4. If the hole is perfect, wall in the flush mounting box.
5. Remove the front panel from the intercom.
6. Select the holes for cable supply. Insert the blanks into the other holes. Apply the cable bushings or a suitable sealant to prevent penetration of insects or water. You can also insert the small bushing in the intercom bottom hole.
7. Put the frame on the intercom.
8. Place the intercom into the flush mounting box while introducing the cables. Leave some of the cables inside the unit as a reserve and the rest under the intercom bottom.
9. Insert the supplied screws in the side mounting holes making sure that they penetrate into the flush mounting box nuts. Tighten all the screws properly. Tip: The screw tightening sequence may affect the intercom position.
10. We recommend to seal the frame – wall gap with a silicone or another sealant to avoid wall dampening as a result of water leakage.
11. Do not complete mounting until you have finished electrical installation.

Be sure keep strictly the hole dimensions while mounting the device into classic bricks.

 **Tip**

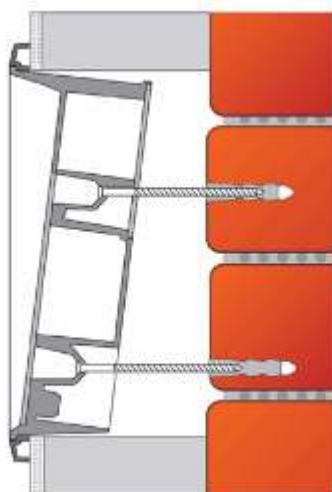
- While flush mounting, pull the cables through the device back opening leaving a reserve cable length behind the device if necessary.
- If the cables cannot be cut in the wall deep enough, you can use a smaller hole on the device bottom.

Flush Mounting - Thermally Insulated Wall

What You Need:

- Longer screws (depending on the thermal insulation thickness)
- Hole: (112 x 220 x 70) mm

Cut out the thermal insulation layer using the template (the same as for classic brick wall).



Caution

- The hole depth depends on the insulation layer thickness. If the insulation layer is rather thick, you may need longer screws! If there are hollow bricks under the insulation, make sure that your screws pass through the whole dowel (50 mm) and fix the dowel reliably.
- Make sure that the dowel holes have the required diameter. If the diameter is too large, the dowels may get loose. Use some suitable building adhesive to keep the dowels in place.
- Make sure that the hole depth is sufficient too! The dowel length is 50 mm and the screw length is 90 mm.

Suppose that all the required cables have been carried into the drilled hole. Now follow the instructions applicable for classic brick flush mounting. However, remember that thermally insulated walls show less strength than classic brick walls.

Flush Mounting - Plasterboard

Use the plasterboard flush mounting box and follow the instructions included therein.

What You Need:

- Plasterboard flush mounting box, Part No. 9151002
- Hole: 118 x 237 mm

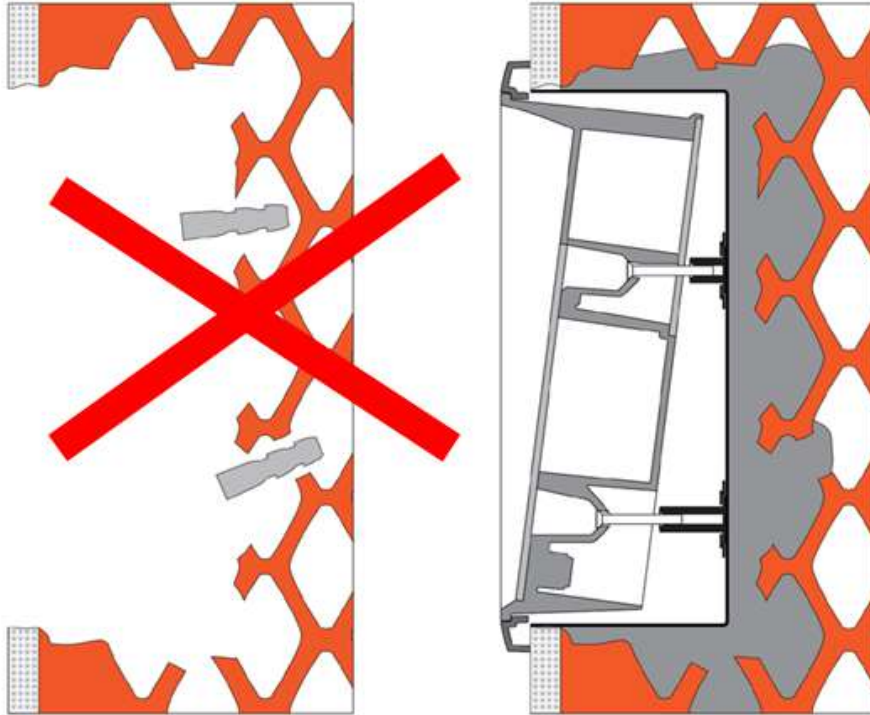


Flush Mounting - Hollow Bricks

What You Need:

- Brick flush mounting box, Part No. 9151001
- Hole: (132 x 223 x 83) mm

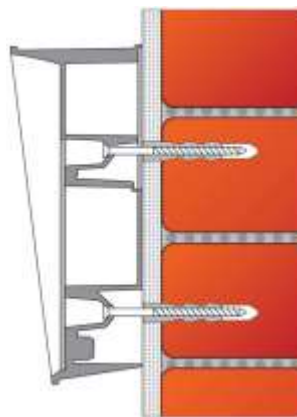
Suppose you intend to install your **2N[®] IP Force** unit into a wall made of hollow bricks. Note that the external side of the bricks gets damaged by cutting and the dowels cannot practically be fixed into the thin internal part of the bricks. Therefore, use the brick flush mounting box and follow the instructions included therein.



Wall Mounting

What You Need:

- Just your 2N[®] IP Force unit



Wall (surface) mounting is used where flush mounting is inapplicable (in concrete and steel structures, entry barrier columns, etc.). The frame is not used.

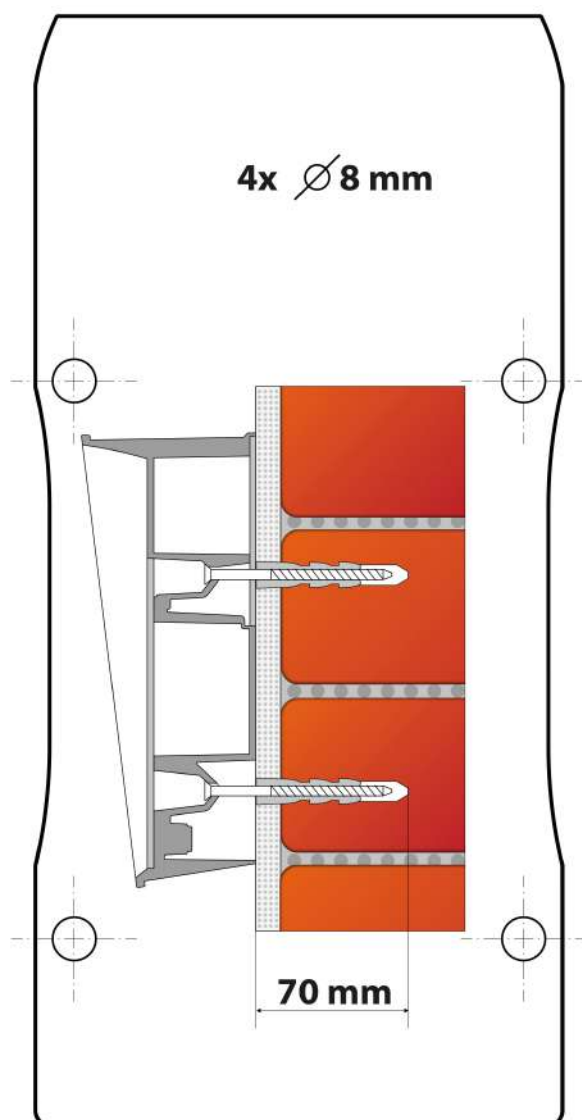
⚠ Caution

- Wall mounting may be a problem where vandals may destroy the unit (in public garages, e.g.). Therefore, use steel fixing elements instead of the dowels and screws included in the delivery.
- Be sure to insert plugs into unused bushing holes to avoid water leakage during facade cleaning, for example. Never leave the holes open for even a short time (one day delay between mounting and cable connection, e.g.).

⚠ Warning

- Eliminate the risk of accident! Wall mounting is not suitable for narrow passages or places where people's attention may be distracted. The manufacturer shall not be liable for injuries incurred as a result of unsafe mounting!

1. Select position with respect to the supply cables. Where the cables are installed inside a structure or wall, use the hole at the intercom bottom.
2. Drill holes of the depth of 70 mm for dowels in the wall as shown in the figure. Push or hammer the enclosed dowels into the drilled holes. Use some suitable building adhesive if the dowels are too loose. Use fixing elements of your own for steel structure surface mounting (metric screws + nuts, e.g.).
3. Remove the front panel from the intercom.
4. Select the holes for cable supply. Select and mount the bushings depending on the cables: 2-hole bushing or 1-hole bushing or both. Insert the blanks in the other holes.
5. Put the intercom on the wall/structure while introducing cables inside. Leave some of the cables inside the unit as a reserve. Insert the plugs in the unused bushings and tighten the bushing nuts carefully.
6. Do not complete mounting until you have finished electrical installation. Where cables lead along the surface, use the bushings included in the delivery.



Stand Mounting

This mounting method is suitable for entrance installations in particular.

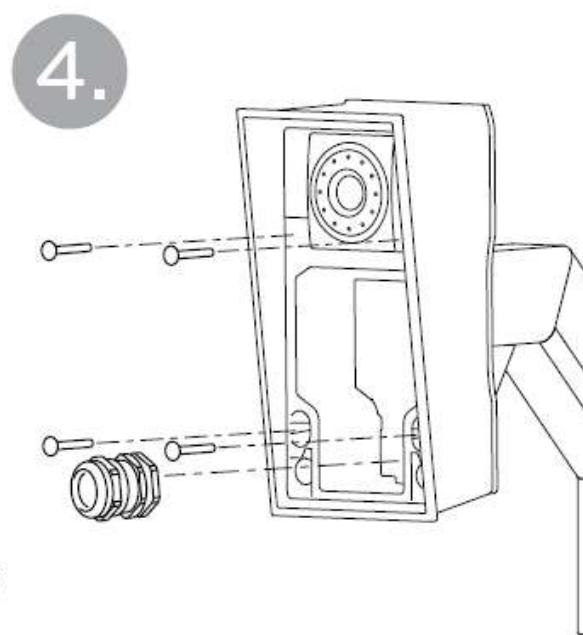
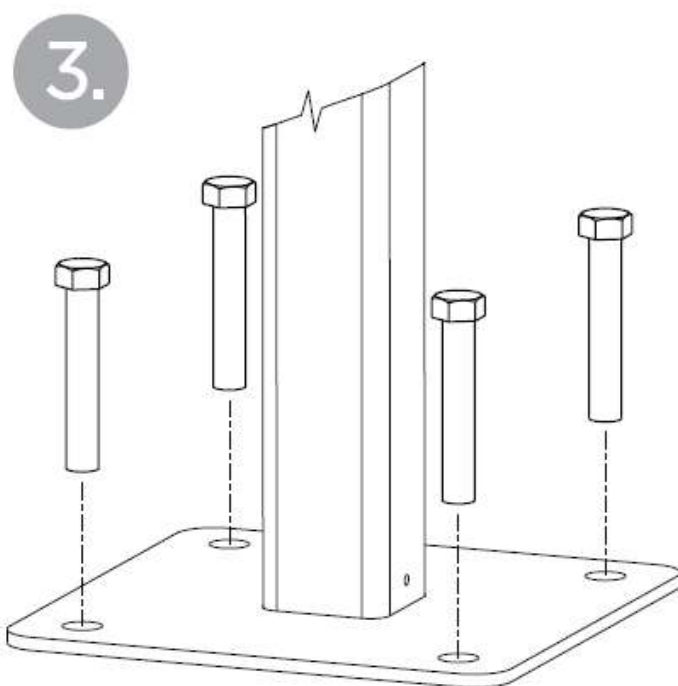
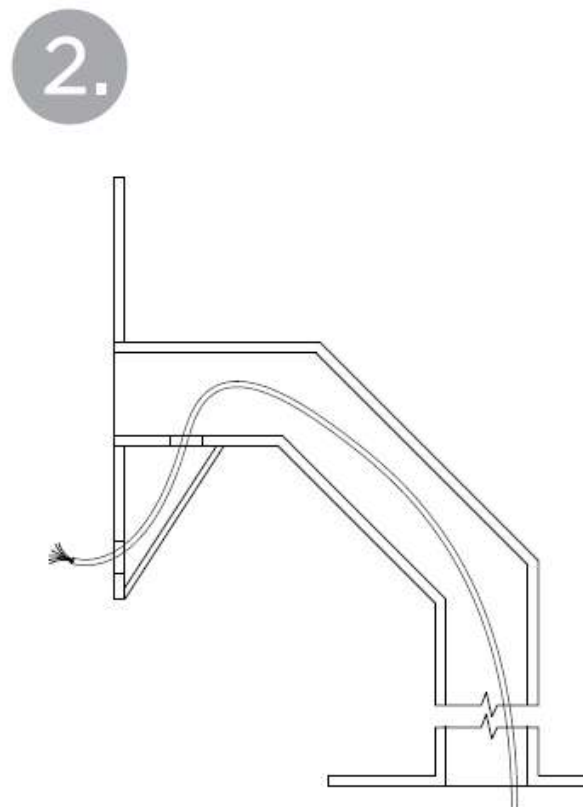
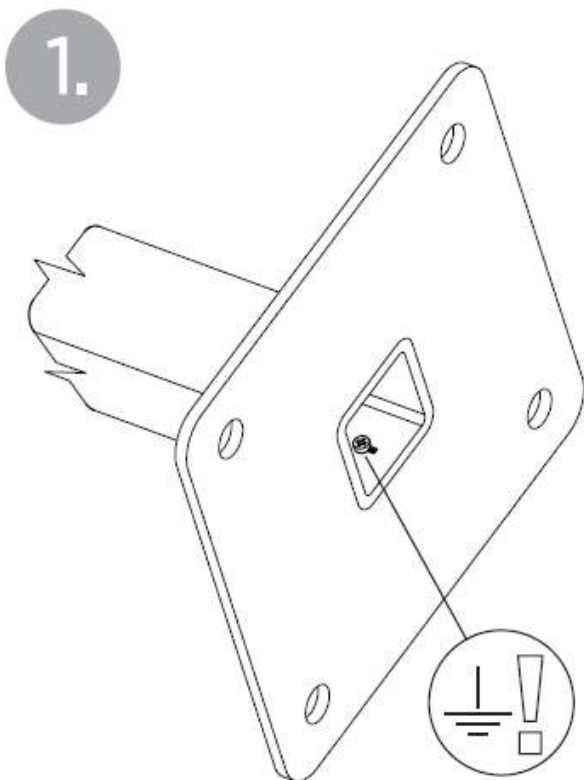
What you need for installation:

- Stand, Part No. 9151005
- Screws suitable for the surface - are not included in the package

Caution

- Remember to fit the stand to the base thoroughly especially if there is a risk of vandalism (public garages, etc.). Steel fitting elements are recommended.

1. Connect grounding.
2. Pull the cable through the stand.
3. Fit the stand to the base. Refer to the Base drilling template for the dimensions of the fitting elements. The screws are not included in the package. Use screws of your own according to the type of surface.
4. Use a cable bushing for the **2N[®] IP Force** cable fee-out!



Use of Cable Bushings

The cable bushings included in the 2N[®] IP Force delivery are designed for the following cables:

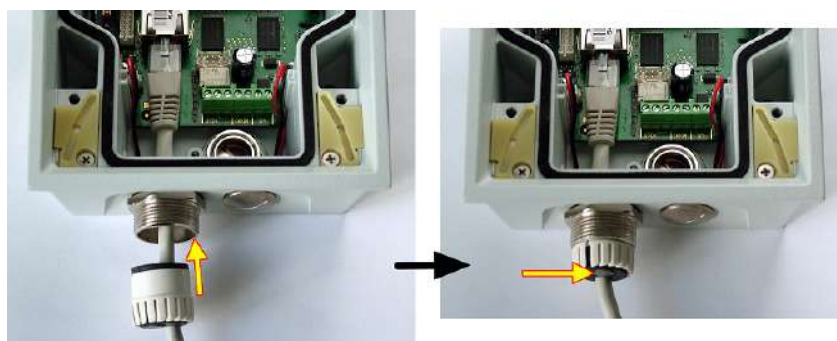
- Big bushing: for two cables of the diameter of 5–6 mm (UTP cable), or, upon insert replacement, for one thick cable/tube of the diameter of up to 14 mm.
- Small bushing: for one cable of the diameter of 5–8 mm.

✓ Tip

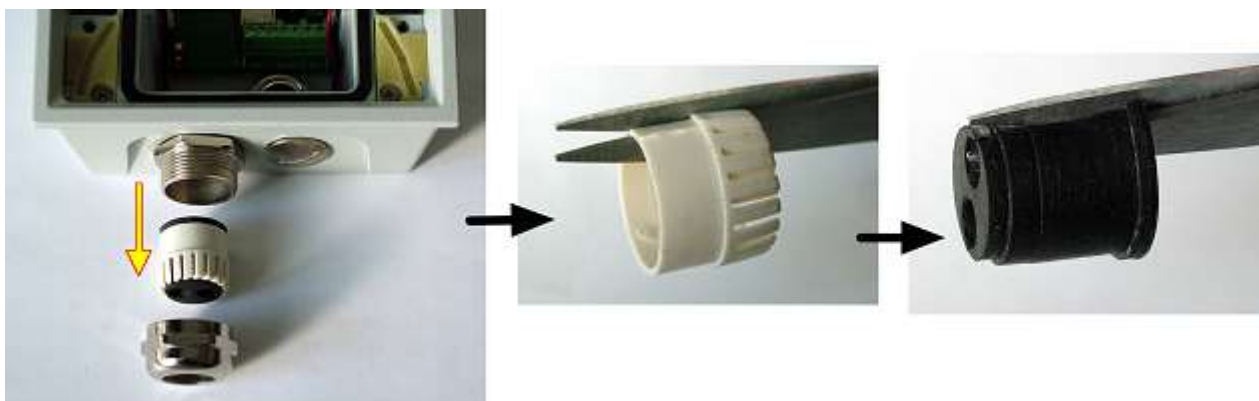
- Even a LAN cable including the RJ-45 connector can go through the big bushing. See below for instructions.

How to Pull a RJ-45 Terminated Cable through a Bushing

1. Unscrew the big bushing nut completely.



2. Remove the sealing including the cover from the bushing. Cut either of the components as shown in the figures.



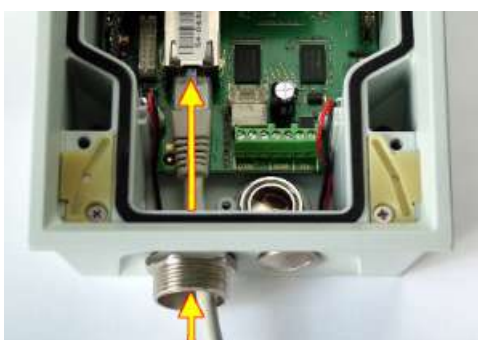
3. Put the bushing nut on the cable and insert the sealing.



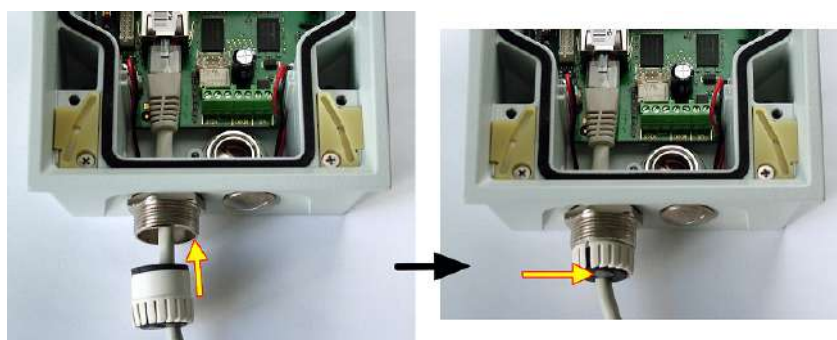
4. Replace the cover onto the sealing.



5. Pull the cable connector through the bushing body into the intercom and clip it into the motherboard connector.



6. Move the sealing including the cover along the cable as far as the bushing body, or add a plug if necessary.



7. Replace and tighten the nut.



2.3 Electric Installation

This subsection describes how to connect 2N[®] IP Force into your Local Area Network (LAN) and how to connect supply voltage and the electric lock.

- PCB Connectors
- LAN Connection
- External Power Supply Connection
- Electric Lock Connection
- Factory Default Resetting (PCB version 555v5)
- Factory Default Resetting (PCB version 555v3 and higher)
- Factory Default Resetting (PCB version 555v2)
- Grounding
- Mounting Completion
- Available Switches



Caution

- The device must be part of the electrical system of the building.

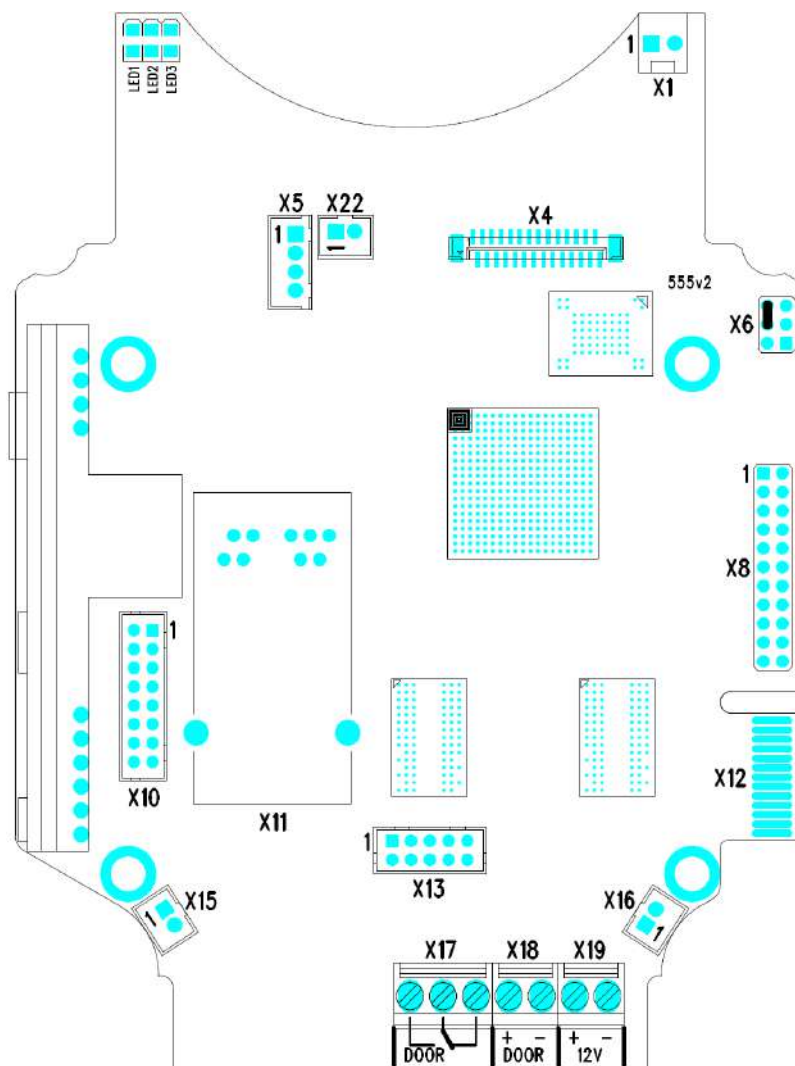
PCB Connectors

Picture shows the lay-out of connectors on the 2N[®] IP Force printed circuit board (PCB). Cables, accessories and other system components are connected to connectors X1 through X22.

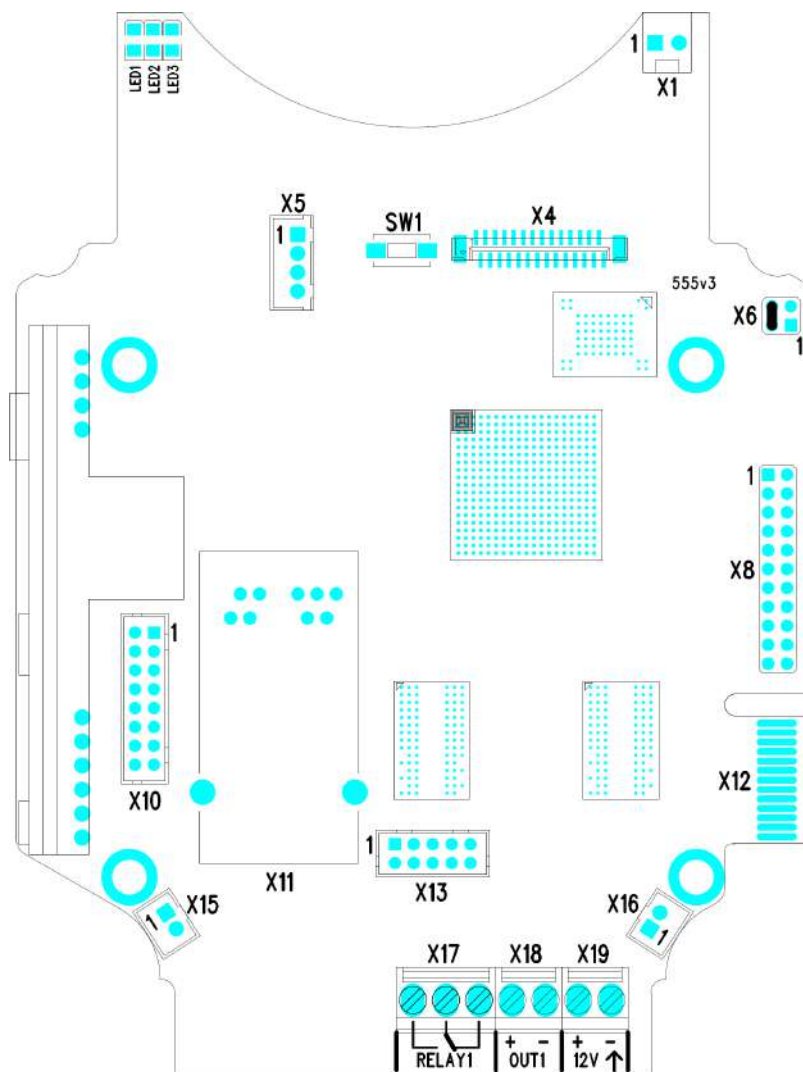
Connectors description:

- X1 - Loudspeaker
- X2 - Button 2
- X3 - Button 3
- X4 - Camera module
- X5 - Button 1
- SW1 - Reset button (version 555v3 and higher)
- X6 - Configuration jumpers
- X7 - Induction loop output. Connector type JST SHR-02V-S.
- X8 - Extending module (RFID card reader or additional switch)

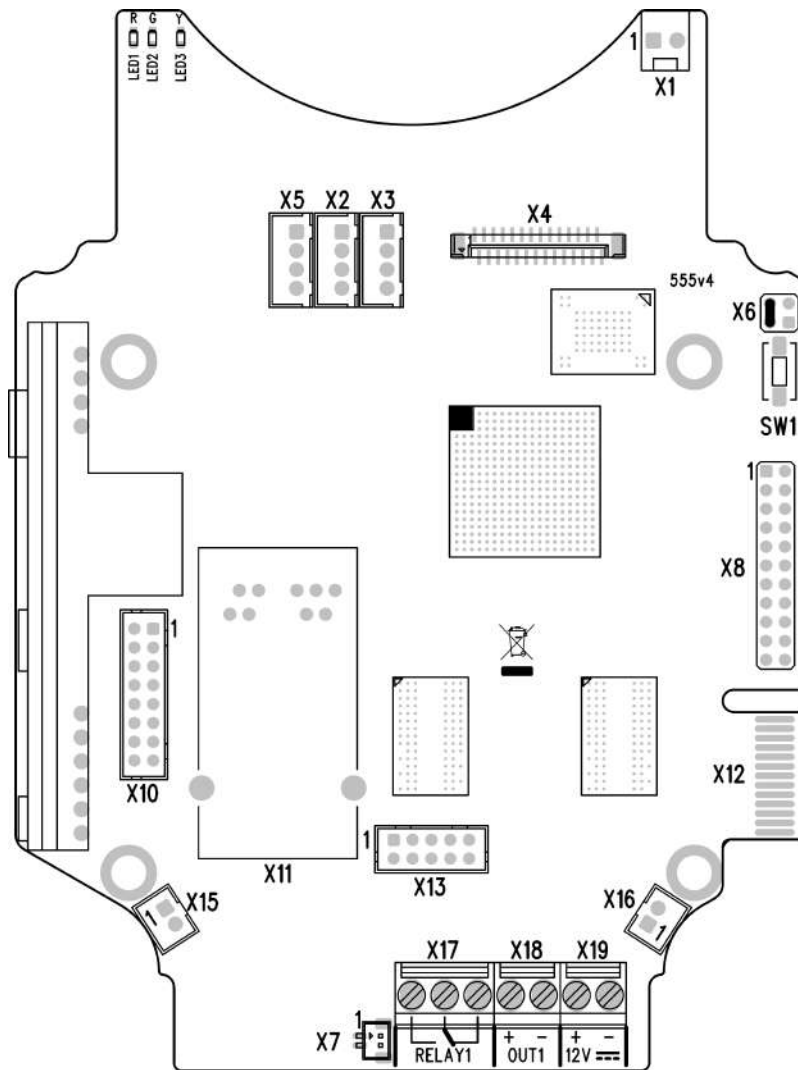
- X10 - Buttons 1 through 4
- X11 - LAN
- X12 - Servicing connector
- X13 - Keypad module
- X15 - Left-hand microphone
- X16 - Right-hand microphone
- X17 - Relay NO and NC contact max. 30 V / 1 A AC/DC. Used for connection of non-critical devices only (lights, e.g.).
- X18 - Switched output 9 up to 13 V DC depending on power supply (PoE: 9 V; adaptor: power supply voltage minus 1 V), max 700 mA
- X19 - Power input 12 V \pm 15 % / 2 A DC
- LED1/2 - System status indicators
- LED3 - LAN connection activity indicator



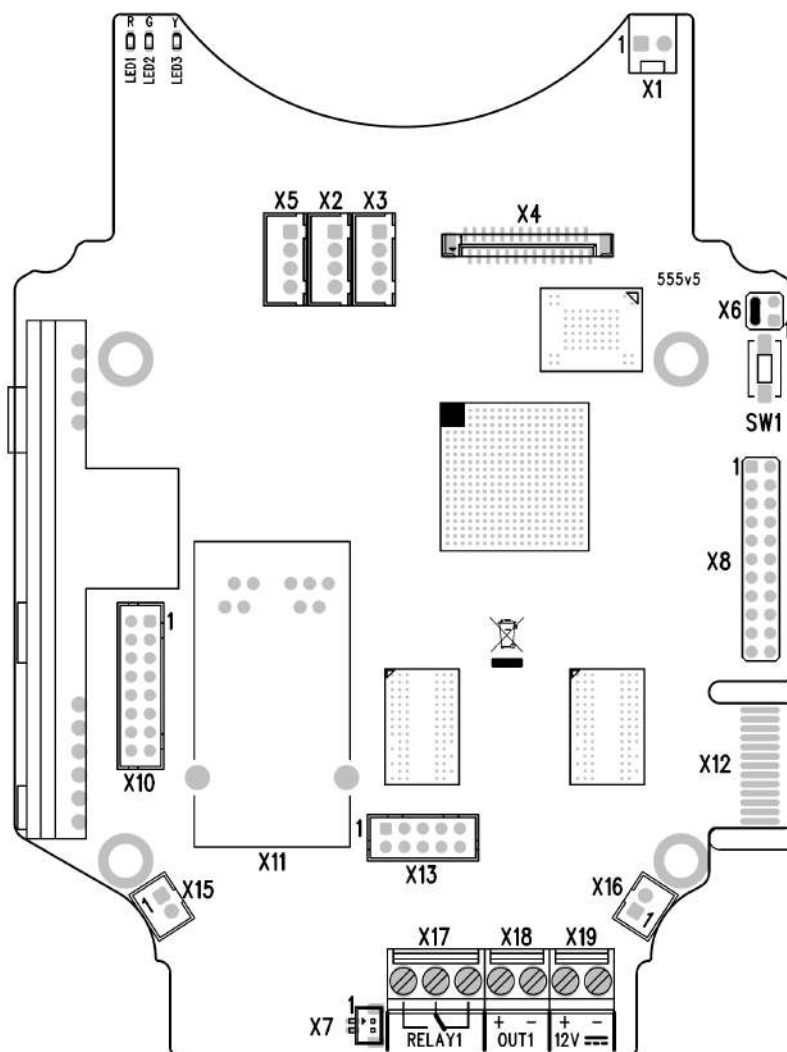
2N[®] IP Force Connectors, PCB Version 555v2



2N[®] IP Force Connectors, PCB Version 555v3



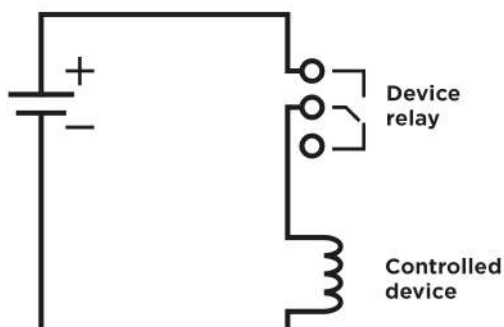
2N[®] IP Force Connectors, PCB Version 555v4



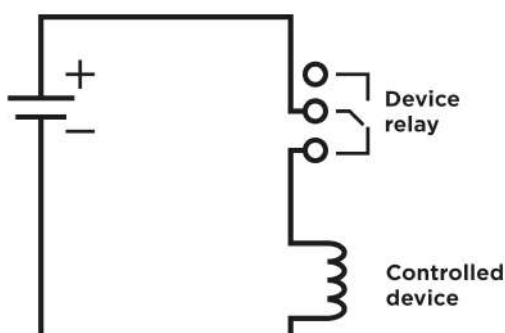
2N[®] IP Force Connectors, PCB Version 555v5

Tip

- Output wiring diagram for Relay terminals



Wiring diagram for the controlled device's electric circuit closing



Wiring diagram for the controlled device's electric circuit opening

LAN Connection

2N[®] IP Force is connected to the LAN via a RJ-45 terminated (connector X11) UTP /STP cable (of category Cat 5e or higher). The system is equipped with the Auto-MDIX function and so both the straight and crossed cable versions can be used.

⚠ Caution

- We recommend the use of a LAN surge protection.
- We recommend the use of a shielded SSTP Ethernet cable.

External Power Supply Connection

2N[®] IP Force can be fed either from an external 12 V \pm 15 % / 2 A DC power supply or from the LAN equipped with the PoE 802.3af supporting network elements.

External Power Supply

An external 12 V power supply is connected to terminal block X19. Use a 12 V \pm 15 % DC power source dimensioned to current intake of 2 A at least (Part No. 91341481E) to ensure a reliable function of your device.

PoE Supply

2N[®] IP Force is compatible with the PoE 802.3af (Class 0-12.95 W) technology and can be supplied directly from the LAN via compatible network elements. If your LAN is incompatible, insert the PoE injector, Part No. 91378100E/US, between 2N[®] IP Force and the nearest network element.

Electric Lock Connection

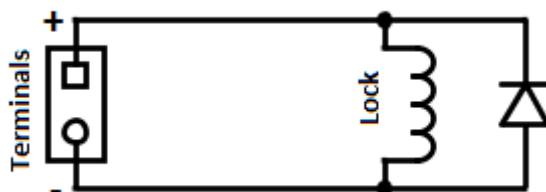
2N[®] IP Force is equipped with an electrically isolated relay switch with NO and NC contacts (terminal block X17, max. 30 V / 1 A AC/DC) and 9 up to 13 V DC depending on power supply (PoE: 9 V; adaptor: power supply voltage minus 1 V), max 600 mA switched output (terminal block X18), to which a standard electric lock or another compatible electrical appliance can be connected.

i Note

- Devices with PCB version 555v3 and higher provides independent control of 12 V switched output (terminal block X18) and relay switch (terminal block X17). Devices with PCB version 555v2 have both outputs switched simultaneously.

⚠ Warning

When you connect a device containing a coil, such as a relay or an electromagnetic lock, it is necessary to protect the intercom against voltage peak while switching off the induction load. For this way of protection we recommend a diode 1 A / 1000 V (e.g., 1N4007, 1N5407, 1N5408) connected antiparallel to the device.




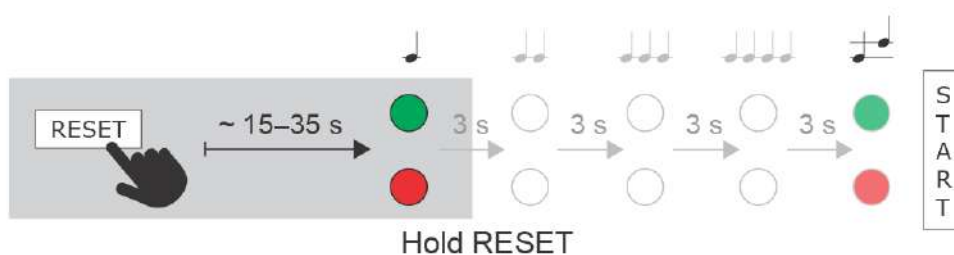
Reset Button

Located among the main unit connectors, the Reset button helps you reset the factory default values, restart the device, find the device IP address and switch the static /dynamic mode.

IP Address Finding

Follow the instructions below to **identify the current IP address**:

- Press and hold the RESET button.
- Wait until the red and green LEDs go on simultaneously on the device and the acoustic signal  can be heard (approx. 15–35 s).
- Release the RESET button.
- The device automatically announces the current IP address.





Note

- The delay after pressing RESET till the first light and sound signalling is set to 15–35 s depending on the 2N IP intercom/answering unit model used.
 - 24 s is the valid value for 2N[®] IP Force HW version 8.

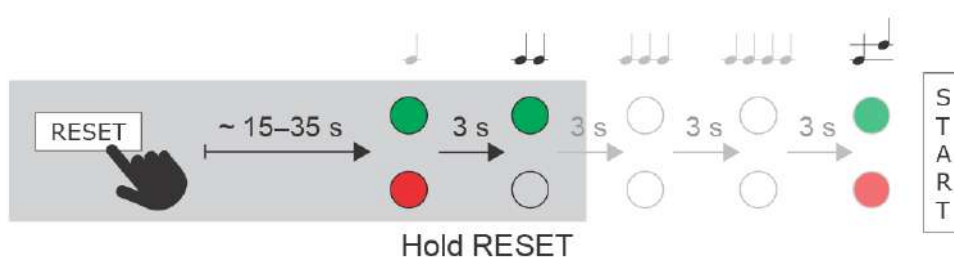
Static IP Address Setting

Follow the instructions below to switch on the **Static IP address** mode (DHCP OFF):

- Press and hold the RESET button.
- Wait until the red and green LEDs go on simultaneously on the device and the acoustic signal  can be heard (approx. 15–35 s).
- Wait until the red LED goes off and the acoustic signal  can be heard (approx. for another 3 s).
- Release the RESET button.




The following network parameters will be set after restart:

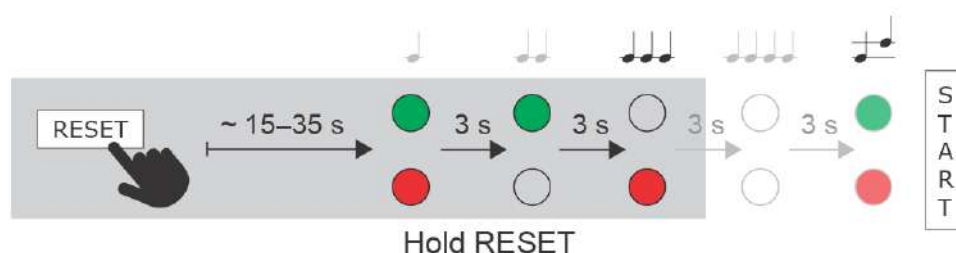
- IP address: 192.168.1.100
- Network mask: 255.255.255.0
- Default gateway: 192.168.1.1



Dynamic IP Address Setting





Follow the instructions below to switch on the **Dynamic IP address** mode (DCHP ON):

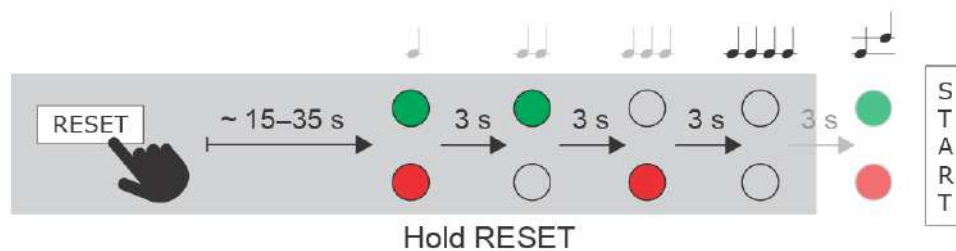
- Press and hold the RESET button.
- Wait until the red and green LEDs go on simultaneously on the device and the acoustic signal  can be heard (approx. 15–35 s).
- Wait until the red LED goes off and the acoustic signal  can be heard (approx. for another 3 s).
- Wait until the green LED goes off and the red LED goes on again and the acoustic signal  can be heard (approx. for another 3 s).
- Release the RESET button.



Factory Reset (PCB version 555v5 and higher)

Follow the instructions below to **reset the factory default values**:

- Press and hold the RESET button.
- Wait until the red and green LEDs go on simultaneously and the acoustic signal  can be heard (approx. 15–35 s).
- Wait until the red LED goes off and the acoustic signal  can be heard (approx. for another 3 s).
- Wait until the green LED goes off and the red LED goes on again and the acoustic signal  can be heard (approx. for another 3 s).
- Wait until the red LED goes off and the acoustic signal  can be heard (approx. for another 3 s).
- Release the RESET button.



⚠ Caution

- In case of resetting the factory default settings on a device with a version of firmware 2.18 or higher it is necessary to reprogram the 2N[®] Security Relay using the instructions from section 2.4.

Device Restart

Press the RESET button shortly (< 1 s) to restart the system without changing configuration.

i Note

- The time interval between the short press of RESET and reconnection after restart is 25-50 s for 2N[®] IP Force depending on the HW version.

Factory Default Resetting (PCB version 555v3 and higher)

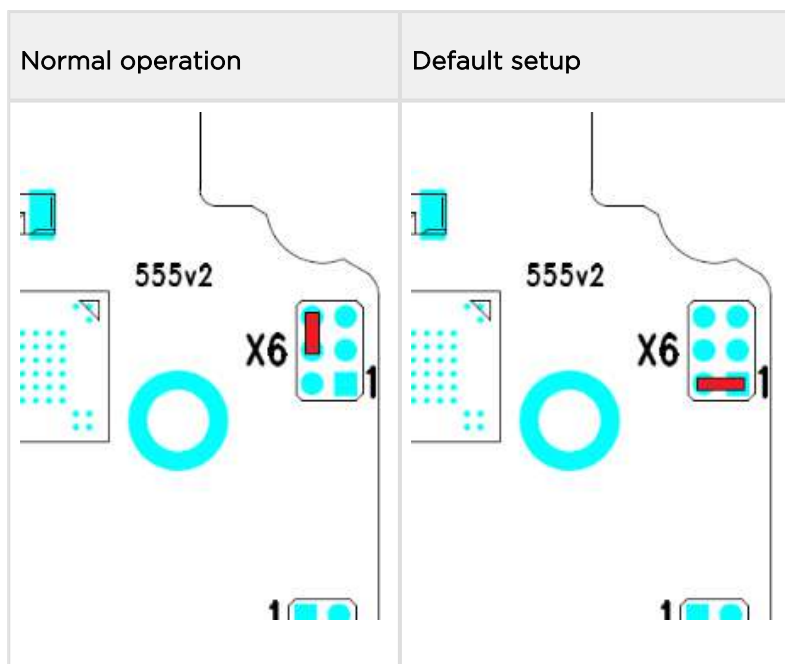
For resetting device to default settings press and hold SW1 button. Wait for the first sound signalization and then release the button. If you press the button for short time device will reboot only. SW1 button is available in devices with PCB version 555v3 and higher. For devices with PCB version 555v2 see procedure below.

Caution

- In case of resetting the factory default settings on a device with a version of firmware 2.18 or higher it is necessary to reprogram the 2N[®] IP Security Relay using the instructions from section 2.4.

Factory Default Resetting (PCB version 555v2)

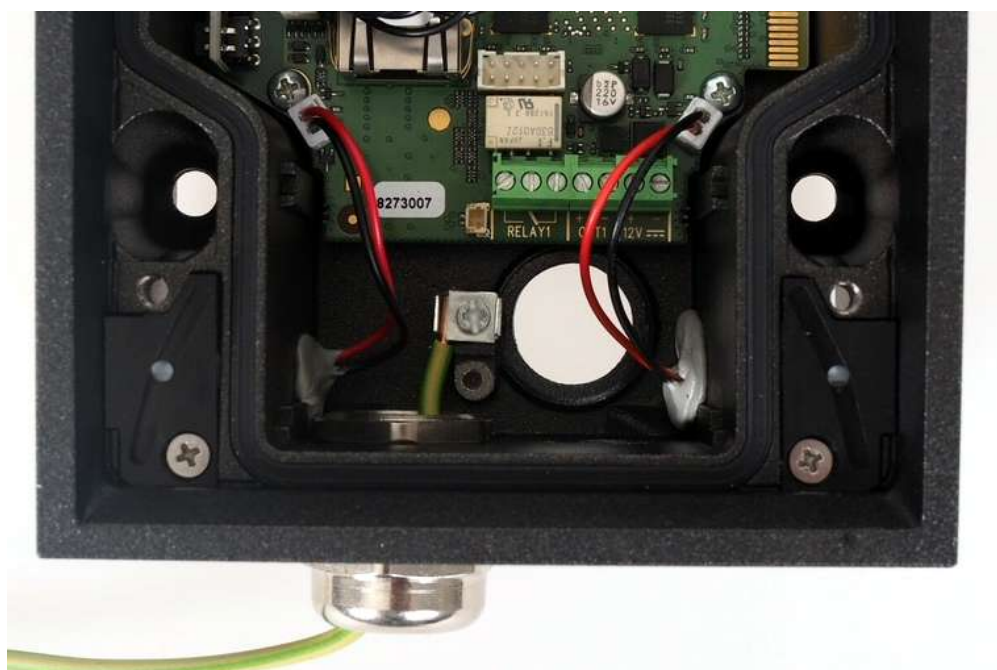
1. Disconnect the device from the power supply.
2. Move the short-circuit jumper on connector X6 into the **Default setup** position. Configuration jumpers (X6) are located in the right-hand upper corner of the PCB.
3. Reconnect the power supply and wait for a start signalling sound.
4. Disconnect the device from the power supply.
5. Move the short-circuit jumper on connector X6 into the **Normal operation** position.
6. Reconnect the power supply. The device will be reset to factory default.



Configuration jumpers X6, PCB version 555v2

Grounding

We recommend to ground the intercom in order to improve the static electricity resistance. For proper grounding you need a cable of the minimum cross-section of 4 mm². Connect the cable to the connector in the bottom part of the intercom. The connector is enclosed to the delivery.



Mounting Completion

1. Having connected all the wires, make sure that the bushings, if used, are tightened properly and the RJ-45 connector is inserted in the PCB connector.
2. Replace the front cover carefully. Make sure that the connector is inserted correctly and the wires inside the device leave enough space for the board if you are installing a four-button board. Tighten the four screws thoroughly with the wrench enclosed (Torx 20) to make the panel fit tightly to the metal chassis.



Caution

- Properly installed intercom is waterproof. An incorrect mounting may compromise the intercom watertightness. Water leakage may damage the electronic part of the system.
- Stainless steel screws are used for the 2N[®] IP Force assembly. Other screws than stainless steel ones corrode soon and may aesthetically deteriorate the surrounding environment!

Available Switches

| Location | Name | Description |
|--|---------------------------|---|
| Basic Unit | Relay 1 | Passive relay switch: NO and NC contacts, up to 30 V / 1 A AC /DC. Used for connection of non-critical devices only (lights, e. g.). |
| | Output 1 | Active switch output: 9 up to 13 V DC depending on power supply (PoE: 9 V; adaptor: power supply voltage minus 1 V), max 600 mA |
| Additional Switch* (Part No. 9151010) | Relay 2 | Passive relay switch: NO and NC contacts, up to 30 V / 1 A AC /DC. Used for connection of non-critical devices only (lights, e. g.). |
| | Output 2 | Active switch output : 9 up to 13 V DC depending on power supply (PoE: 9 V; adaptor: power supply voltage minus 1 V), max 600 mA |
| Internal RFID Card Reader 125 kHz* (Part No. 9151011) | Relay 1 (Card Reader), | Passive relay switch: NO and NC contacts, up to 30 V / 1 A AC /DC |
| | Output 1 (Card Reader) | Active switch output: 9 up to 13 V DC depending on power supply (PoE: 9 V; adaptor: power supply voltage minus 1 V), max 600 mA |
| Internal RFID Card Reader 13.56 MHz* (Part No. 9151016) | Relay 1 (Card Reader), | Passive relay switch: NO and NC contacts, up to 30 V / 1 A AC /DC |
| | Output 1 (Card Reader) | Active switch output: 9 up to 13 V DC depending on power supply (PoE: 9 V; adaptor: power supply voltage minus 1 V), max 600 mA |

Only one module marked by * can be used.

2.3.1 Přepětová ochrana

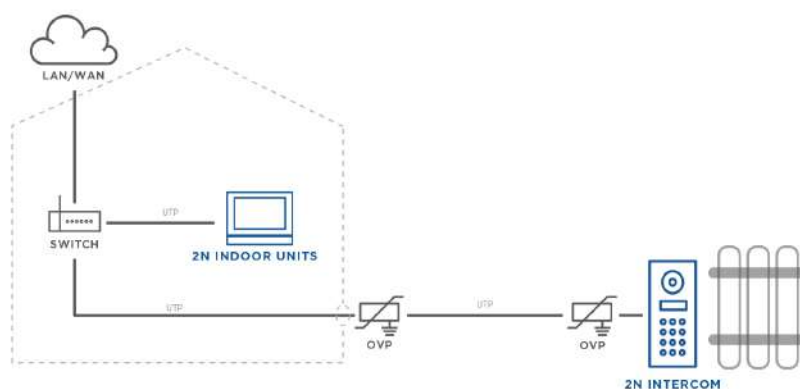
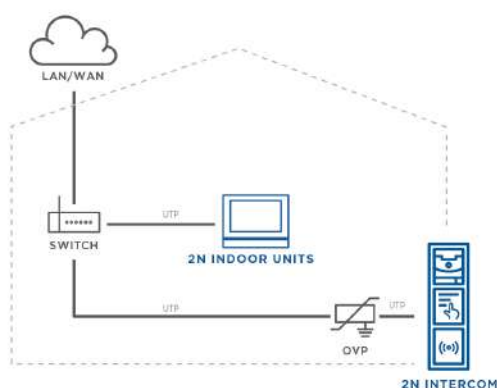
Recommendations for Additional Overvoltage Protection Installation

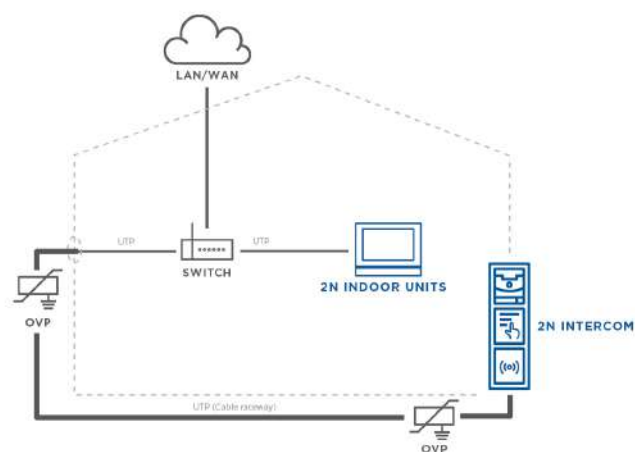
If running:

- a) outside a building,
- b) on/in an outer wall or roof,

the 2N device wiring may be exposed to atmospheric effects resulting in overvoltage that may subsequently damage any devices installed outside the building, on its outer wall or roof. Overvoltage may damage devices connected to these wires and installed inside the building as well. Therefore, we recommend that additional surge protectors be installed on all the wires leading outside buildings, on outer walls or roofs, namely:

- a) as close as possible to the device installed outside the building or on its outer wall /roof,
- b) as close as possible to the point where the wires leave the building.





OVP = overvoltage protection

2.4 Extending Module Connection

2N[®] IP Force allows the following extending modules to be connected:

- Additional Switch
- Internal RFID Card Reader 125 kHz
- Internal RFID Card Reader 13.56 MHz
- Internal secured RFID Card Reader 13.56 MHz
- Security Relay
- Wiegand Isolator
- Induction Loop

Additional Switch

The **Additional Switch** (Part No. 9151010) is used for extending the number of inputs /outputs. This extending module is intended for mounting into the 2N[®] IP Force main unit and is compatible with the basic units with Part No. 915110xxxxx. If the Additional Switch is installed, it is not possible to install Internal RFID Card Reader.



Function:

The 2N[®] IP Force Additional Switch adds two additional switches, one logical input and a tamper switch to the 2N[®] IP Force basic unit. The purpose of the tamper switch is to signal any unauthorised opening of the intercom (to prevent a theft, e.g.). It is recommended to use the tamper switch.

 **Tip**

- FAQ: Tamper switch - How to install it into the 2N® IP Force

Specifications version 5:

- IN2 terminals for input in passive / active mode (-30 V to +30 V DC)
 - OFF = open OR $U_{IN} > 1.5$ V
 - ON = closed contact OR $U_{IN} < 1.5$ V
- RELAY2 terminals 30 V/1 A AC/DC NO/NC contact
- OUT2 active output: 12 V/600 mA DC
- Tamper switch input (X2): 24 V/50 mA AC/DC

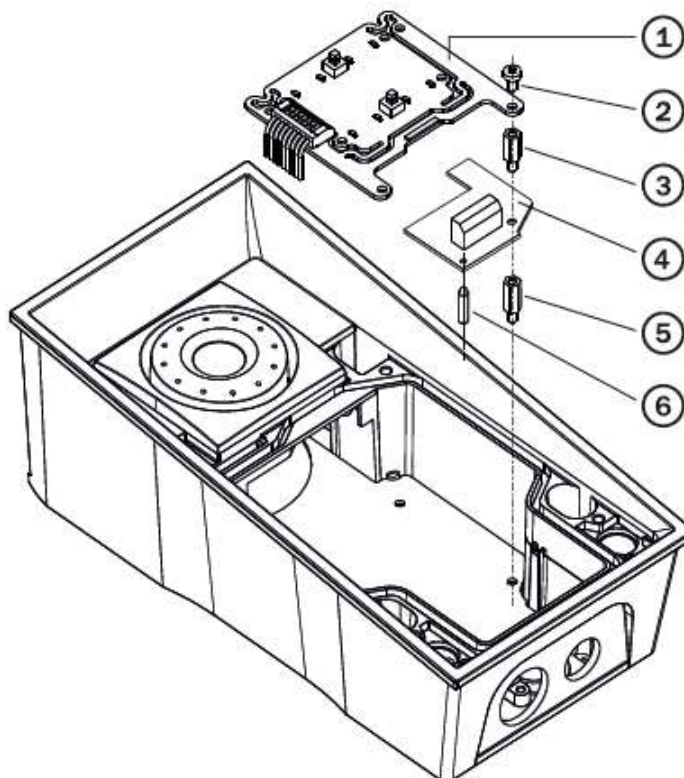
Specifications version 4 a lower:

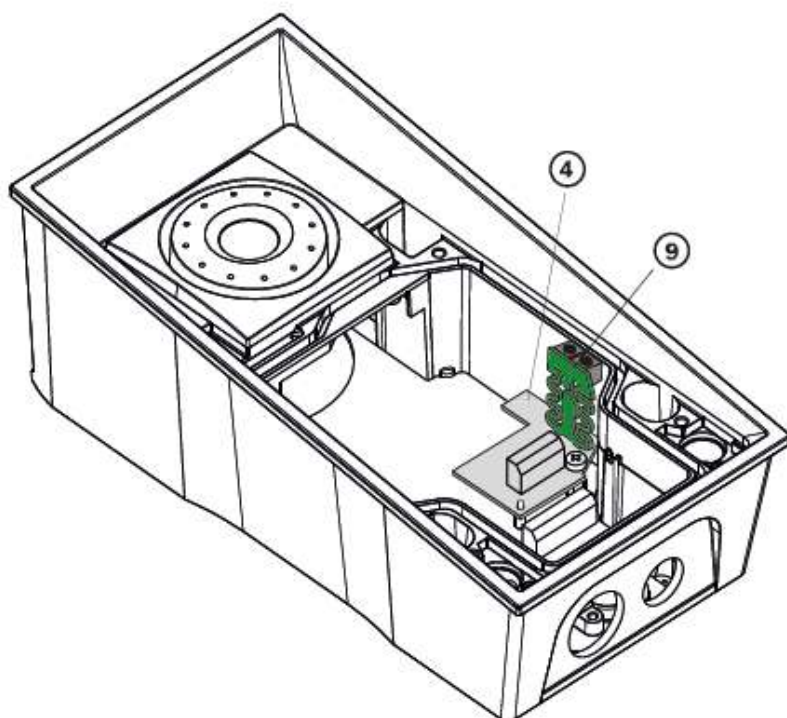
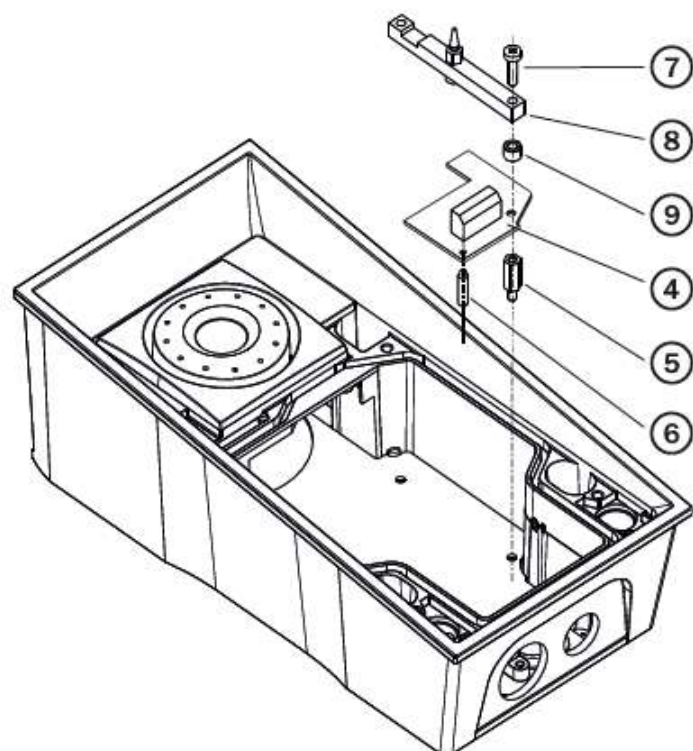
- Passive switch: NO and NC contacts, up to 30 V / 1 A AC/DC
- Active switch output: 9 V (Using PoE) or power supply voltage minus 1 V, from 9 to 13 V max. 700 mA DC
- Tamper switch: 24 V / 50 mA AC/DC

Module mounting:

1. Switch off the intercom.
2. Remove the front panel from the intercom.
3. According to your model
 - a. If you are mounting the switch into a two-nameplate model, demount the button PCB (1) and remove the right-hand bottom spacer (there are four PCB fitting spacers altogether).
 - b. If you are mounting the switch into a keypad model, take the keypad out of the holder. Demount the right-hand keypad holder – beam with a pin (8) – remembering its position. Demount the right-hand bottom spacer. Do not disconnect the keypad cable!
 - c. If you are mounting the switch into a model other than the two ones mentioned in items 3a and 3b above, remove the right-hand bottom screw from the main board.
4. Now screw the enclosed 12 mm spacer (5) into the vacated main board slot.
5. Mount the enclosed plastic support (6) onto the switch board bottom side.

6. Put the switch board (4) in the main board connector making sure that the screw hole is directly above the spacer.
7. According to your model
 - a. If you are mounting the switch into a two-nameplate model, fit the switch board with the enclosed 10.5 mm spacer (3) and reinstall the button PCB (1).
 - b. If you are mounting the switch into a keypad model, reinstall the beam (8) of the keypad holder (the slot is on top). Insert the enclosed 4.5 mm washer (9) between the beam and the switch board, fitting the assembly with the 15 mm screw enclosed (7).
 - c. If you are mounting the switch into a model other than the two ones mentioned in items 7a and 7b, fit the switch board with the original 6 mm screw (2).
8. If you want to use the tamper switch, insert the tamper board (9) in the connector located in the right-hand bottom part of the switch board (4). As the tamper switch shares the relay output (NO and NC) terminals, you cannot use the RELAY2 output with the tamper switch together.
9. Place front panel back and tighten all four screws.

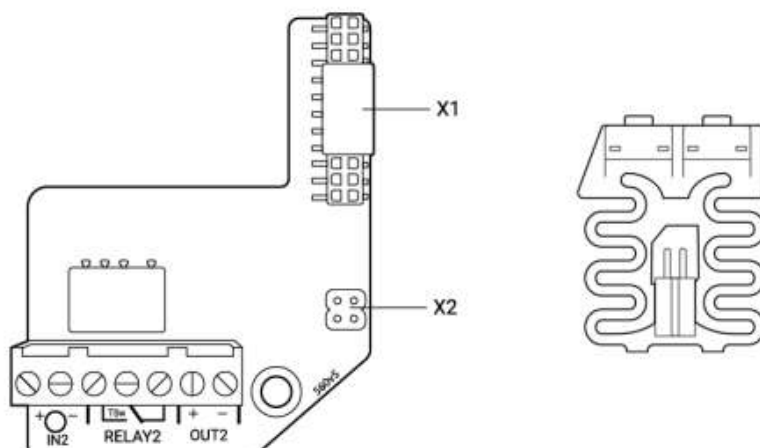




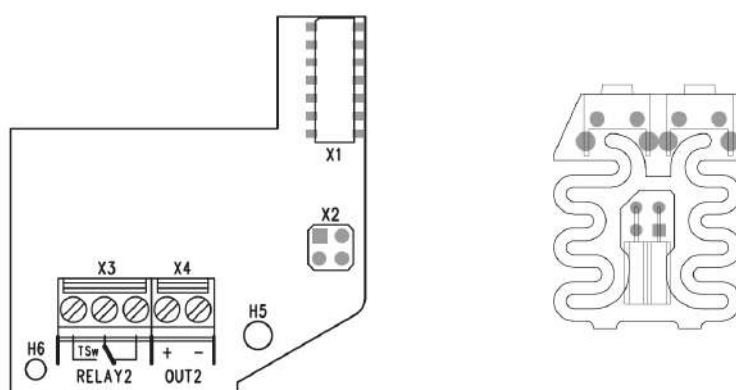
Module settings:

Refer to the Configuration Manual for details.

Connection:



Version 5



Version 4 and lower

Internal RFID Card Reader 125 kHz

The **Internal RFID Card Reader 125 kHz** (Part No. 9151011) is used for reading RFID card IDs in the 125 kHz band. This module is intended for mounting into the **2N[®] IP Force** model 9151102CR, 9151102R, 9151101CRP and 9151101RP. These models have an window, which is necessary for antenna operation. If the Internal RFID Card Reader is installed, it is not possible to install the Additional Switch.



Function:

The **2N[®] IP Force** Internal RFID Card Reader adds two logical inputs, two additional switches and a tamper switch to the **2N[®] IP Force** basic unit.

The purpose of the tamper switch is to signal any unauthorised opening of the intercom (to prevent a theft, e.g.). It is recommended to use the tamper switch.

✓ Tip

- [FAQ: Tamper switch - How to install it into the 2N[®] IP Force](#)

Specifications:

Card reader

- Compatible with:
 - EM4xxx
- Operating frequency: 125 KHz
- Minimum reading distance: 10 mm above **2N[®] IP Force** cover

Relay output

- Switching contact
- 30 V / 2 A AC/DC

Active output

- 12 V / 700 mA transistor switched output

Logical inputs

Active mode - requires external voltage (JP2 jumper OFF)

- $U_{IN-ON} = \text{min } +2.5 \text{ V}$
- $U_{IN-OFF} = \text{max } +1.5 \text{ V}$
- $U_{IN \text{ max}} = +48 \text{ V}$
- $I_{IN} (U_{IN} +48 \text{ V}) = \text{max } 1 \text{ mA}$

Passive mode - requires external contact only (JP2 jumper ON)

- $U_{OUT} = \text{approx. } 8.3 \text{ V}$
- $I_{LOOP} = \text{approx. } 0.5 \text{ mA}$

Signalling output

- Internal red LED under reader window

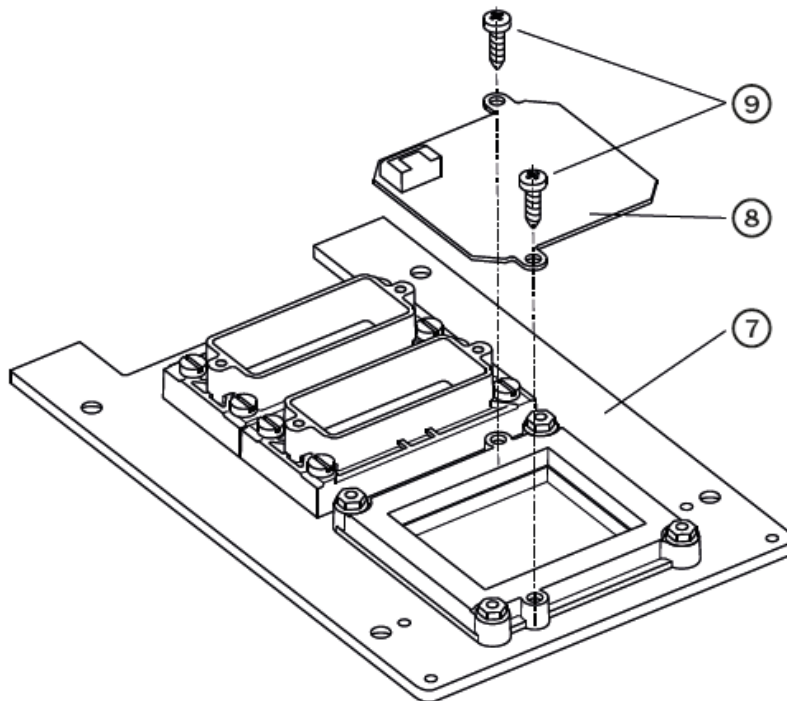
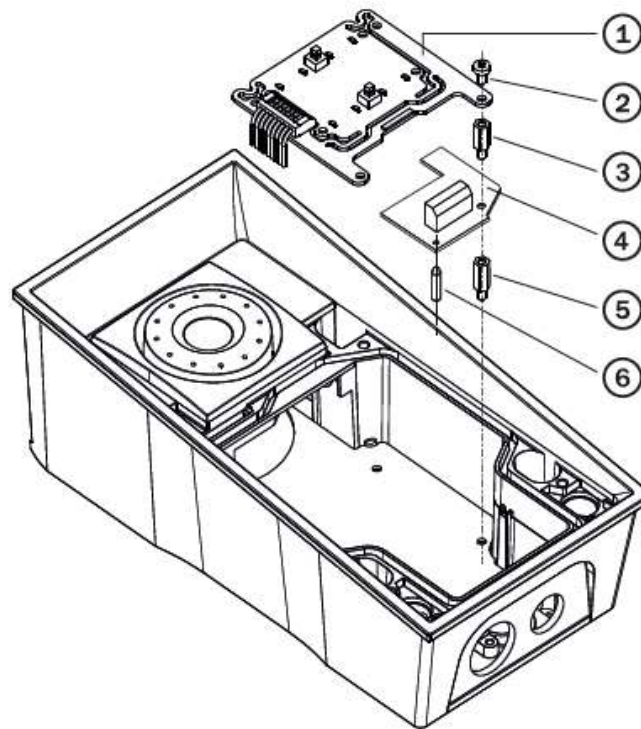
WIEGAND interface

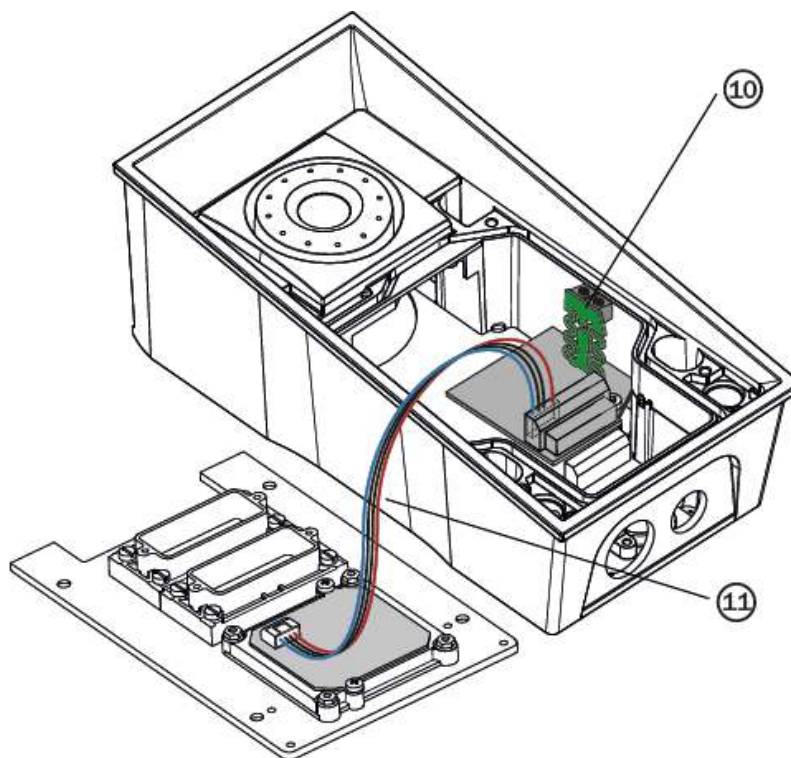
- Off/Input/Output (as programmed)

Mounting guide:

1. Switch off the intercom.
2. Remove the front panel (7) from the intercom.
3. Mount antenna board (8). Use two enclosed self tapping screws (9).
4. Plug enclosed cable (11) to the antenna board connector.
5. Demount a button PCB (1). Don't disconnect its cable!
6. There will stay four spacers after the switch board removal. Dismount the bottom right one.

-
7. There are two short metal spacers enclosed to the reader. Take a longer one (5), 12 mm long. Screw it into the free hole.
 8. Plug an enclosed plastic support (6) to the reader board from the bottom side.
 9. Put the reader board (4) in the main board connector making sure that the mounting hole is directly above the spacer.
 10. Screw in a remaining metal spacer (3), 10.5 mm long.
 11. Fit the button PCB (1) back to its position using original bolts (2).
 12. If you want to use the tamper switch (to detect unauthorized opening the case, as a theft protection), insert the tamper board (10) in the connector located in the right-hand bottom part of the reader board (4). As the tamper switch shares the relay output (NO and NC) terminals, you cannot use the RELAY2 output with the tamper switch at the same time.
 13. Plug the antenna cable (11) to its connector at the reader board (4).
 14. Place front panel back and tighten all four screws.

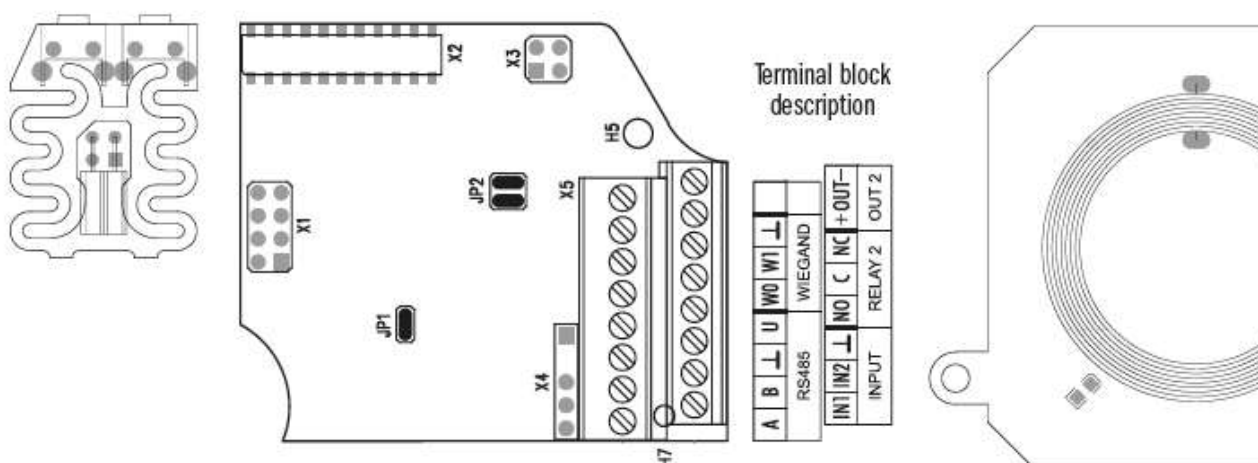




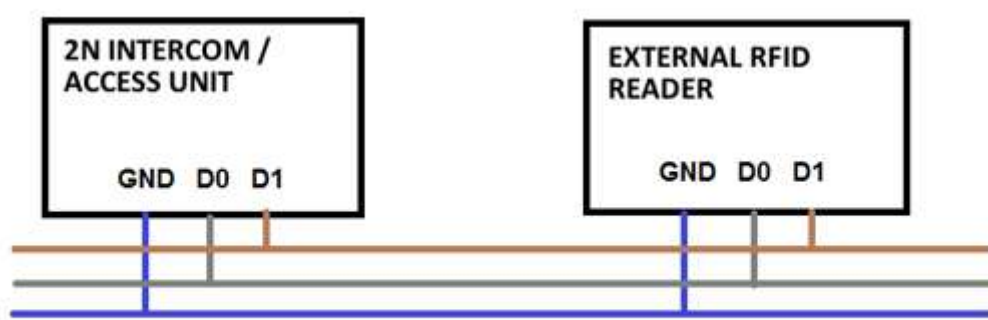
Module setting:

Refer to the Configuration Manual for details of Wiegand, outputs and reader. Refer to the Automation manual for details of input, red LED and tamper function and use.

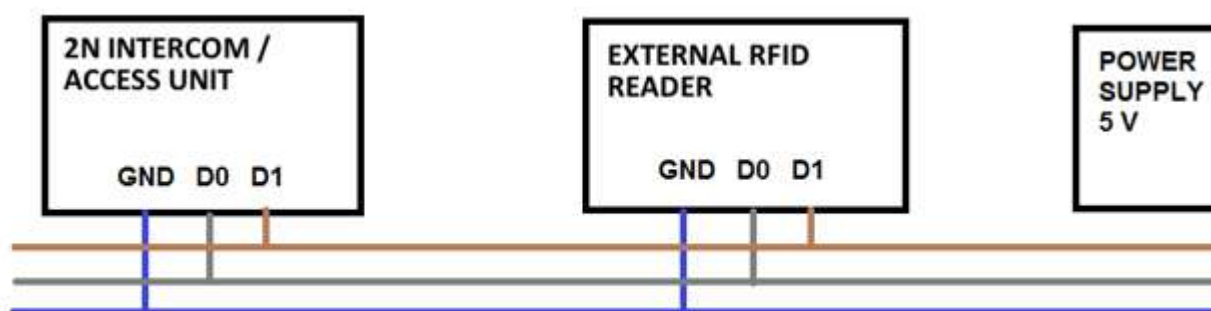
Connection:



| Wiegand Input Technical Parameters | |
|------------------------------------|--------------|
| Current | 5 mA |
| Input resistance | 680 Ohm |
| Pulse length | 50 μ s |
| Delay between pulses | approx. 2 ms |



Recommended Wiring Diagram for Reader with Bus Driver



Recommended Wiring Diagram for Reader with Open Collector (OC) Output

Internal RFID Card Reader 13.56 MHz

The **Internal RFID Card Reader 13.56 MHz** (Part No. 9151031/9151017) is used for reading RFID card Ids in the 13.56 MHz band, NFC supported. This module is intended for mounting into the **2N[®] IP Force** model 9151101RPW, 9151101CRPW, 9151101CHRPW, 9151102RW, 9151102CRW and 9151102CHRW. These models have an window, which is necessary for antenna operation. If the Internal RFID Card Reader is installed, it is not possible to install the Additional Switch.



9151031



9151017

Function:

The **2N[®] IP Force** Internal RFID Card Reader adds two logical inputs, two additional switches and a tamper switch to the **2N[®] IP Force** basic unit.

The purpose of the tamper switch is to signal any unauthorised opening of the intercom (to prevent a theft, e.g.). It is recommended to use the tamper switch.

Tip

- **FAQ: Tamper switch - How to install it into the 2N[®] IP Force**

Specifications:

Card reader

- Operating frequency: 13.56 MHz
- Minimum reading distance: 30 mm above 2N[®] IP Force cover
- **RFID Reader 9151031** is compatible with cards (only card serial number is read):
 - ISO14443A (Mifare, DESFire)
 - PicoPass (HID iClass)
 - FeliCa
 - ST SR(IX)
 - 2N[®] Mobile Key
- **RFID Reader 9151017** is compatible with cards (only card serial number is read):
 - ISO14443A (Mifare, DESFire)
 - PicoPass (HID iClass)
 - FeliCa
 - ST SR(IX)
 - 2N[®] Mobile Key

Relay output

- Switching contact
- 30 V / 2 A AC/DC

Active output

- 9 to 12 V / 700 mA transistor switched output. Depends on power supply (PoE: 9 V or power supply voltage minus 1 V).

Logical inputs

Active mode - requires external voltage (JP2 jumper OFF)

- $U_{IN-ON} = \min +2.5 \text{ V}$
- $U_{IN-OFF} = \max +1.5 \text{ V}$
- $U_{IN \max} = +48 \text{ V}$
- $I_{IN} (U_{IN} +48 \text{ V}) = \max 1 \text{ mA}$

Passive mode – requires external contact only (JP2 jumper ON)

- U_{IN1} = approx. 8.3 V
- U_{IN2} = approx. 8.3 V
- I_{LOOP} = approx. 0.5 mA

Signalling output

- Internal red LED under reader window

PWR

- For external RFID card reader
- Out: 9 to 12 V / 350 mA depends on power supply

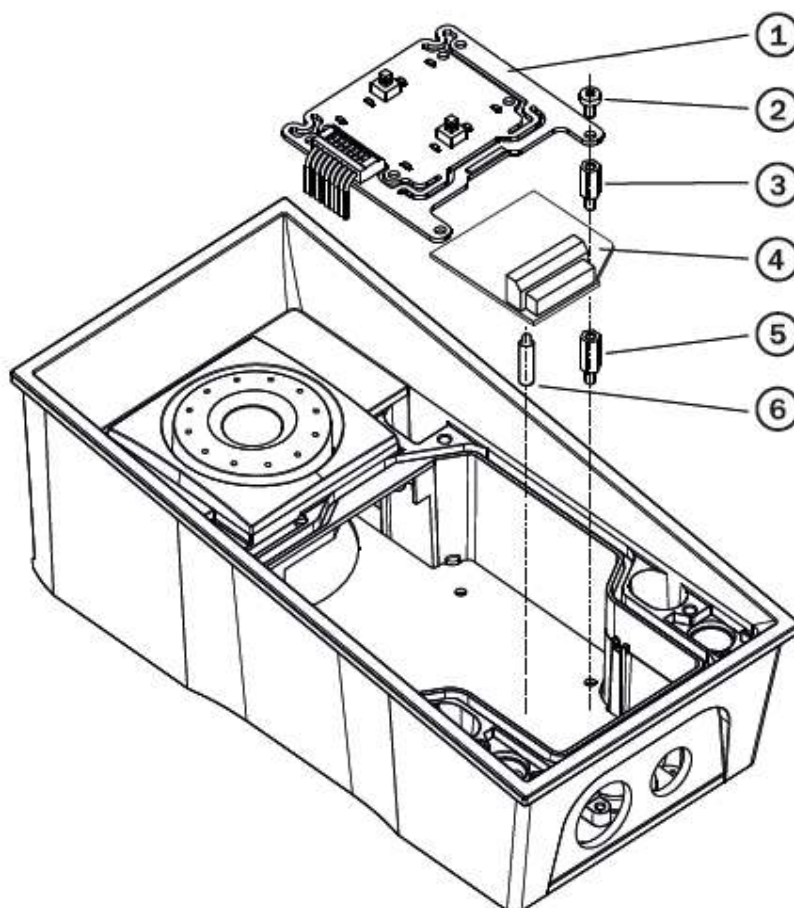
WIEGAND interface

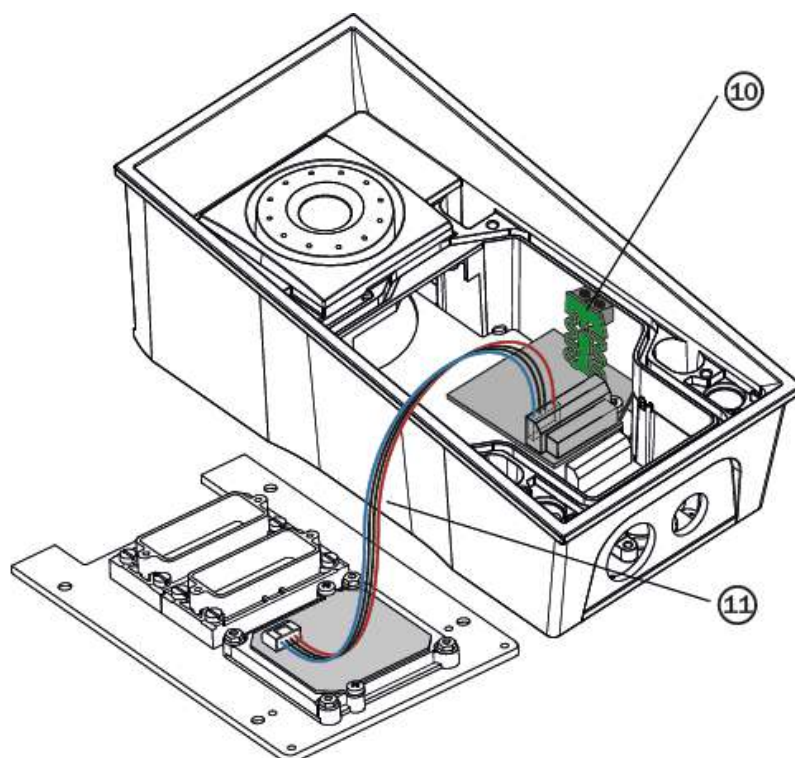
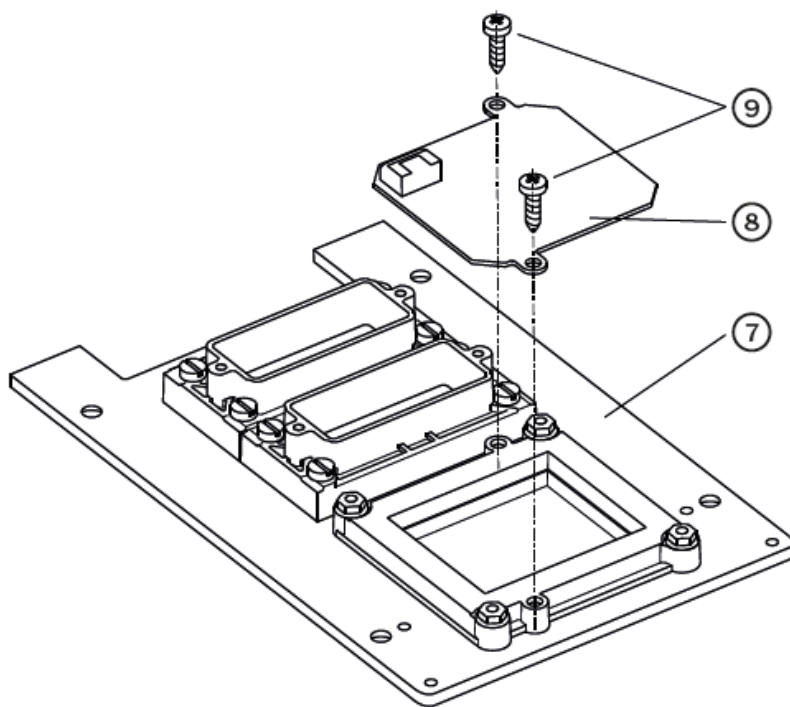
- Off/Input/Output (as programmed)

Mounting guide:

1. Switch off the intercom.
2. Remove the front panel (7) from the intercom.
3. Mount antenna board (8). Use two enclosed self tapping screws (9).
4. Plug enclosed cable (11) to the antenna board connector.
5. Demount a button PCB (1). Don't disconnect its cable!
6. There will stay four spacers after the switch board removal. Dismount the bottom right one.
7. There are two short metal spacers enclosed to the reader. Take a longer one (5), 12 mm long. Screw it into the free hole.
8. Plug an enclosed plastic support (6) to the reader board from the bottom side.
9. Put the reader board (4) in the main board connector making sure that the mounting hole is directly above the spacer.
10. Screw in a remaining metal spacer (3), 10.5 mm long.
11. Fit the button PCB (1) back to its position using original bolts (2).

12. If you want to use the tamper switch (to detect unauthorized opening the case, as a theft protection), insert the tamper board (10) in the connector located in the right-hand bottom part of the reader board (4). As the tamper switch shares the relay output (NO and NC) terminals, you cannot use the RELAY2 output with the tamper switch at the same time.
13. Plug the antenna cable (11) to its connector at the reader board (4).
14. Place front panel back and tighten all four screws.

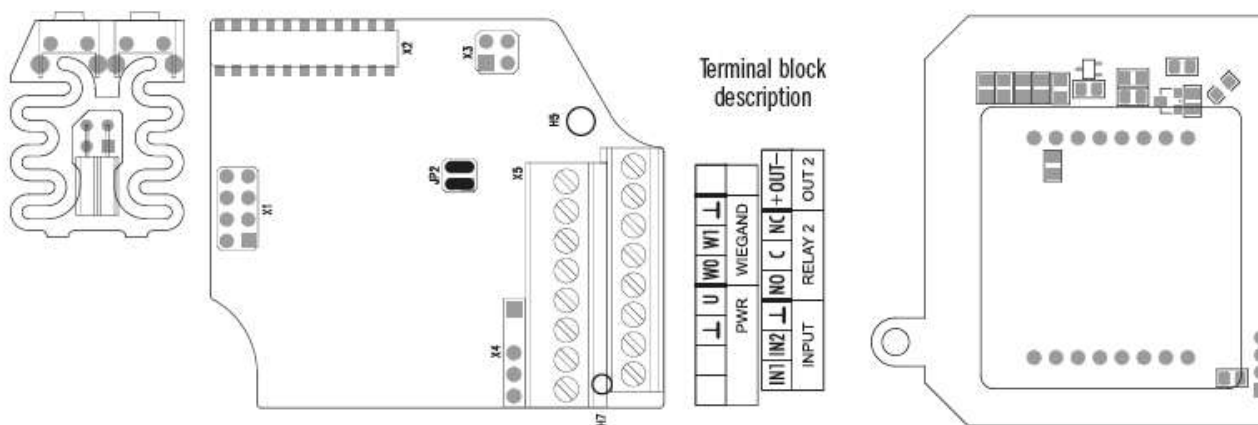




Module setting:

Refer to the Configuration Manual for details of Wiegand, outputs and reader. Refer to the Automation manual for details of input, red LED and tamper function and use.

Connection:



Internal secured RFID Card Reader 13.56 MHz

The **Internal RFID Card Reader 13.56 MHz** (Part No. 9151031S/9151019) is used for reading RFID card Ids in the 13.56 MHz band, NFC supported. This module is intended for mounting into the **2N[®] IP Force** model 9151101RPW, 9151101CRPW, 9151101CHRPW, 9151102RW, 9151102CRW a 9151102CHRW. These models have an window, which is necessary for antenna operation. If the Internal RFID Card Reader is installed, it is not possible to install the Additional Switch.



9151019



9151031S

Function:

The **2N[®] IP Force** Internal RFID Card Reader adds two logical inputs, two additional switches and a tamper switch to the **2N[®] IP Force** basic unit.

The purpose of the tamper switch is to signal any unauthorised opening of the intercom (to prevent a theft, e.g.). It is recommended to use the tamper switch.

Tip

- **FAQ: Tamper switch - How to install it into the 2N[®] IP Force**

Specifications:

Card reader

- Operating frequency: 13.56 MHz
- Minimum reading distance: 30 mm above 2N[®] IP Force cover
- **RFID card reader 9151031S** is compatible with cards (optionally card serial number or PAC ID is read):
 - ISO14443A (Mifare, DESFire)
 - PicoPass (HID iClass)
 - FeliCa
 - ST SR(IX)
 - 2N[®] Mobile Key
 - HID SE (Seos, iClass SE, Mifare SE)
- **RFID card reader 9151019** is compatible with cards (optionally card serial number or PAC ID is read):
 - ISO14443A (Mifare, DESFire)
 - PicoPass (HID iClass)
 - FeliCa
 - ST SR(IX)
 - 2N[®] Mobile Key
 - HID SE (Seos, iClass SE, Mifare SE)

Relay output

- Switching contact
- 30 V / 2 A AC/DC

Active output

- 9 to 12 V / 700 mA transistor switched output. Depends on power supply (PoE: 9 V or power supply voltage minus 1 V).

Logical inputs

Active mode - requires external voltage (JP2 jumper OFF)

- $U_{IN-ON} = \text{min } +2.5 \text{ V}$

- $U_{IN-OFF} = \max +1.5 \text{ V}$
- $U_{IN \max} = +48 \text{ V}$
- $I_{IN} (U_{IN} +48 \text{ V}) = \max 1 \text{ mA}$

Passive mode - requires external contact only (JP2 jumper ON)

- $U_{IN1} = \text{approx. } 8.3 \text{ V}$
- $U_{IN2} = \text{approx. } 8.3 \text{ V}$
- $I_{LOOP} = \text{approx. } 0.5 \text{ mA}$

Signalling output

- Internal red LED under reader window

PWR

- For external RFID card reader
- Out: 9 to 12 V / 350 mA depends on power supply

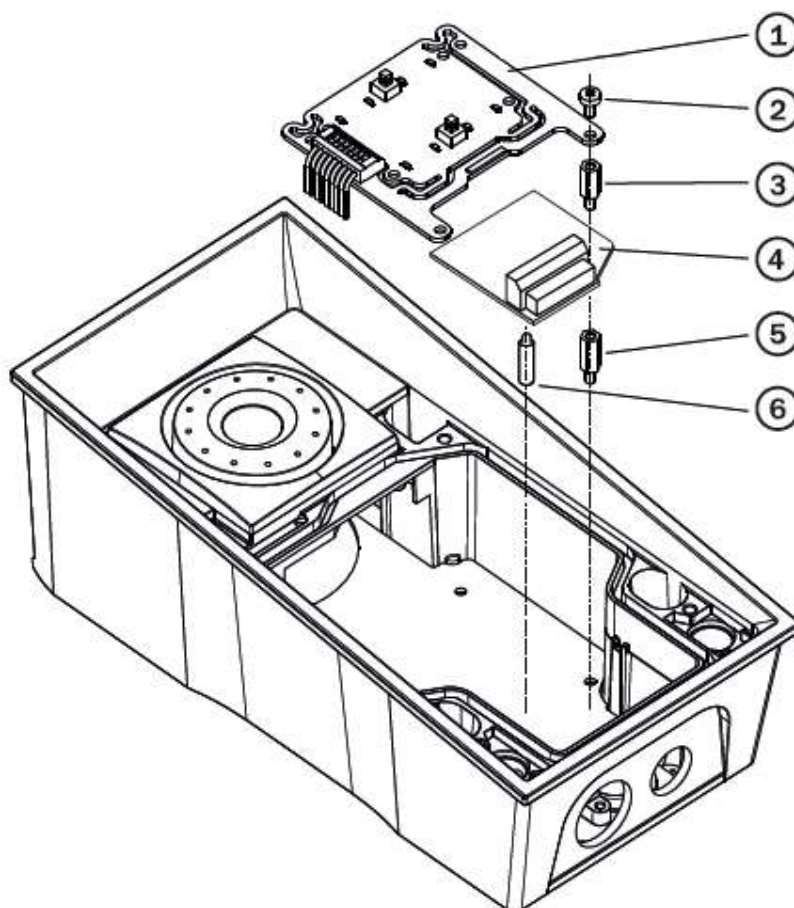
WIEGAND interface

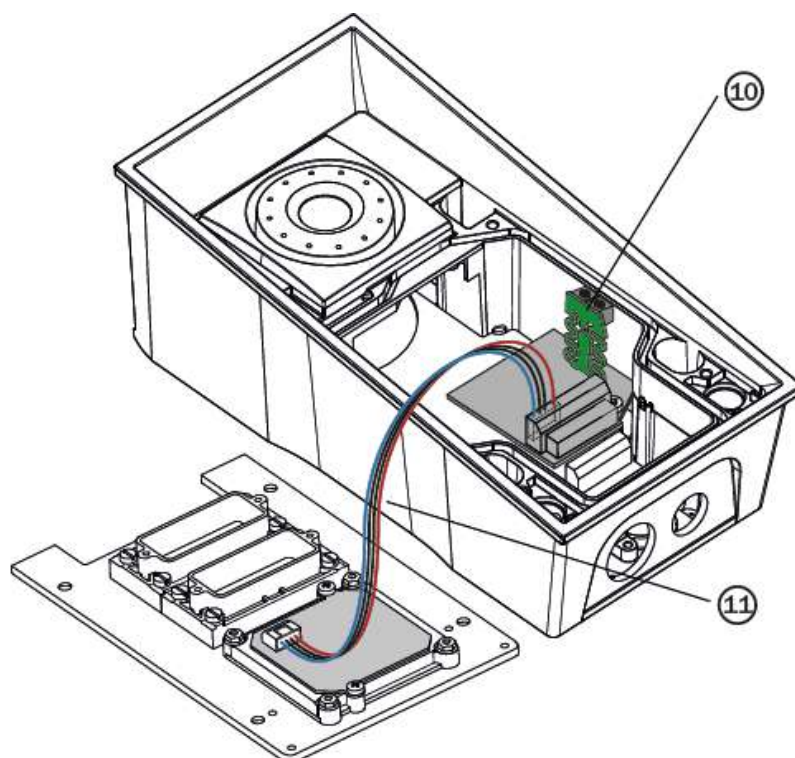
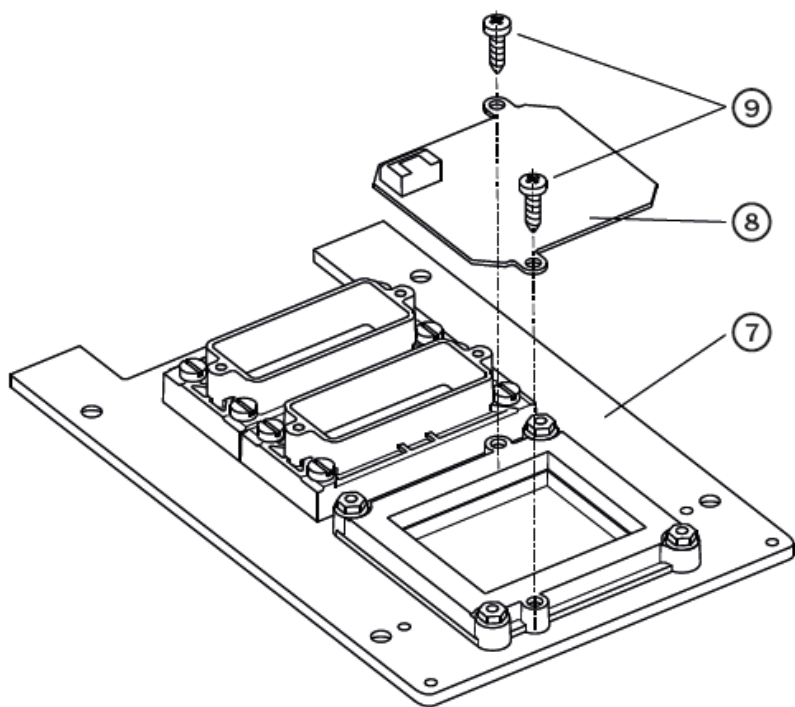
- Off/Input/Output (as programmed)

Mounting guide:

1. Switch off the intercom.
2. Remove the front panel (7) from the intercom.
3. Mount antenna board (8). Use two enclosed self tapping screws (9).
4. Plug enclosed cable (11) to the antenna board connector.
5. Demount a button PCB (1). Don't disconnect its cable!
6. There will stay four spacers after the switch board removal. Dismount the bottom right one.
7. There are two short metal spacers enclosed to the reader. Take a longer one (5), 12 mm long. Screw it into the free hole.
8. Plug an enclosed plastic support (6) to the reader board from the bottom side.
9. Put the reader board (4) in the main board connector making sure that the mounting hole is directly above the spacer.
10. Screw in a remaining metal spacer (3), 10.5 mm long.
11. Fit the button PCB (1) back to its position using original bolts (2).

12. If you want to use the tamper switch (to detect unauthorized opening the case, as a theft protection), insert the tamper board (10) in the connector located in the right-hand bottom part of the reader board (4). As the tamper switch shares the relay output (NO and NC) terminals, you cannot use the RELAY2 output with the tamper switch at the same time.
13. Plug the antenna cable (11) to its connector at the reader board (4).
14. Place front panel back and tighten all four screws.

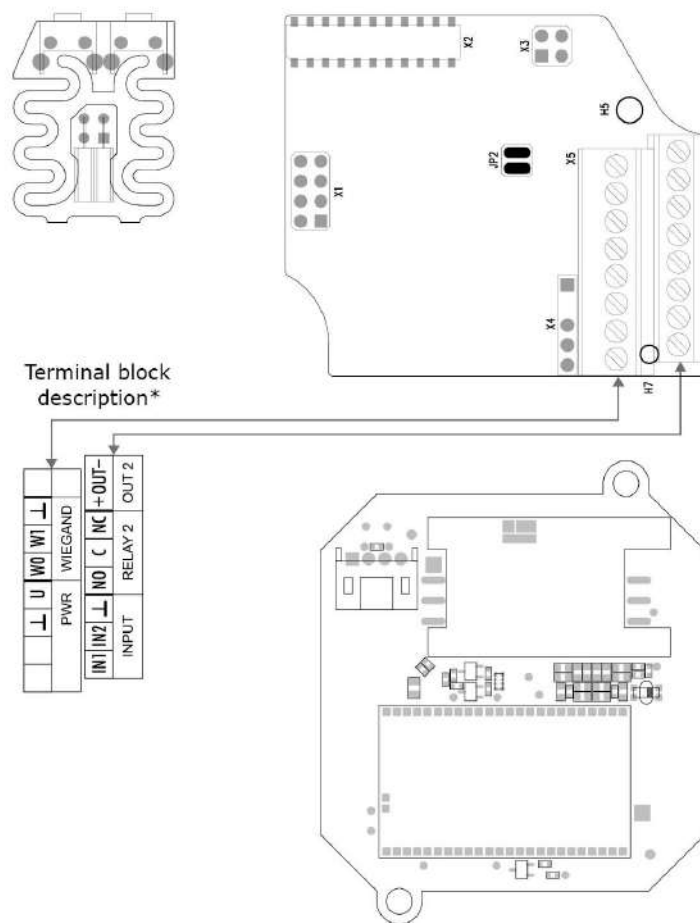




Module setting:

Refer to the Configuration Manual for details of Wiegand, outputs and reader. Refer to the Automation manual for details of input, red LED and tamper function and use.

Connection:



Security Relay

The 2N[®] Security Relay (Part No. 9159010) is used for enhancing security between the intercom and the connected electric lock. The 2N[®] IP Security Relay is designed for any 2N IP intercom model with firmware versions 1.15 and higher. It significantly enhances security of the connected electric lock as it prevents lock opening by forced intercom tampering.



Function:

The 2N[®] Security Relay is a device installed between an intercom (outside the secured area) and the electric lock (inside the secured area). The 2N[®] Security Relay includes a relay that can only be activated if the valid opening code is received from the intercom.

Specifications:

Passive switch: NO and NC contacts, up to 30 V / 1 A AC/DC

Switched output:

- Where the security relay is fed from the intercom, 9 to 13 V DC is available on the output depending on the power supply (PoE: 9 V; adapter: source voltage of minus 1 V) / 400 mA DC.
- Where the security relay is fed from an external power supply, 12 V / 700 mA DC is available on the output.

Dimensions: (56 x 31 x 24) mm

Weight: 20 g

Installation:

Install the 2N[®] Security Relay onto a two-wire cable between the intercom and the electric lock inside the area to be secured (typically behind the door). The device is powered and controlled via this two-wire cable and so can be added to an existing installation. Thanks to its compact dimensions, the device can be installed into a standard mounting box.

Connection:

Connect the 2N[®] Security Relay to the intercom as follows:

- To the intercom active output (OUT1 or OUT2 if a reader module or additional switch is connected)

Connect the electric lock to the 2N[®] Security Relay output as follows:

- To the switched output.
- To the passive output in series with the external power supply.

The device also supports a Departure button connected between the 'PB' and '- HeliosIP/IP intercom' terminals. Press the Departure button to activate the output for 5 seconds.

Status signalling:

| Green LED | Red LED | Status |
|-----------|----------|---|
| blinking | off | Operational mode |
| on | off | Activated output |
| blinking | blinking | Programming mode - waiting for initialisation |
| on | blinking | Error - wrong code received |

Configuration:

- Connect the 2N[®] Security Relay to the properly set intercom switch output; refer to the Configuration Manual. Make sure that one LED at least on the 2N[®] Security Relay is on or blinking.
- Press and hold the 2N[®] Security Relay Reset button for 5 seconds to put the device in the programming mode (both the red and green LEDs are blinking).
- Activate the intercom switch using the keypad, telephone, etc. The first code sent from the intercom will be stored in the memory and considered valid. After code initialisation, the 2N[®] Security Relay will pass into the operational mode (the green LED is blinking).

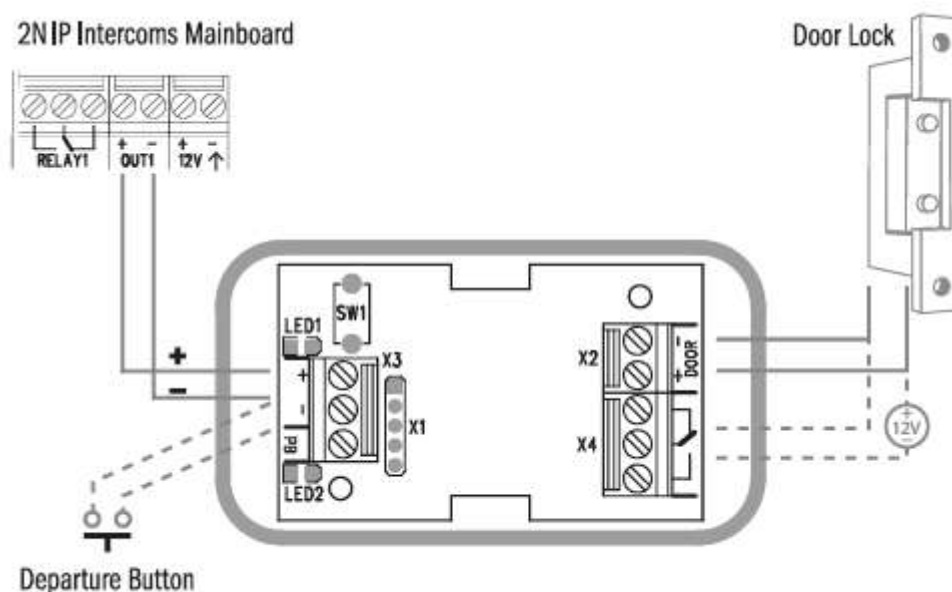
Caution

- In case of resetting the factory default settings on a device with a version of firmware 2.18 or higher it is necessary to reprogram the 2N[®] Security Relay using the instructions above.

Tip

- FAQ: 2N[®] Security Relay - what it is and how to use it with 2N IP intercom?

Connection:



Wiegand Isolator

The 2N[®] Wiegand Isolator (Part No. 9159011) is used for galvanic isolation of the Wiegand bus.

The 2N[®] Wiegand Isolator is designed for galvanic isolation of two devices with separate power supply and interconnected via the Wiegand bus. The 2N[®] Wiegand Isolator protects the interconnected devices against communication errors and/or damage.

Connection of the 2N IP intercoms Card Reader to a security system unit is a typical example of application.



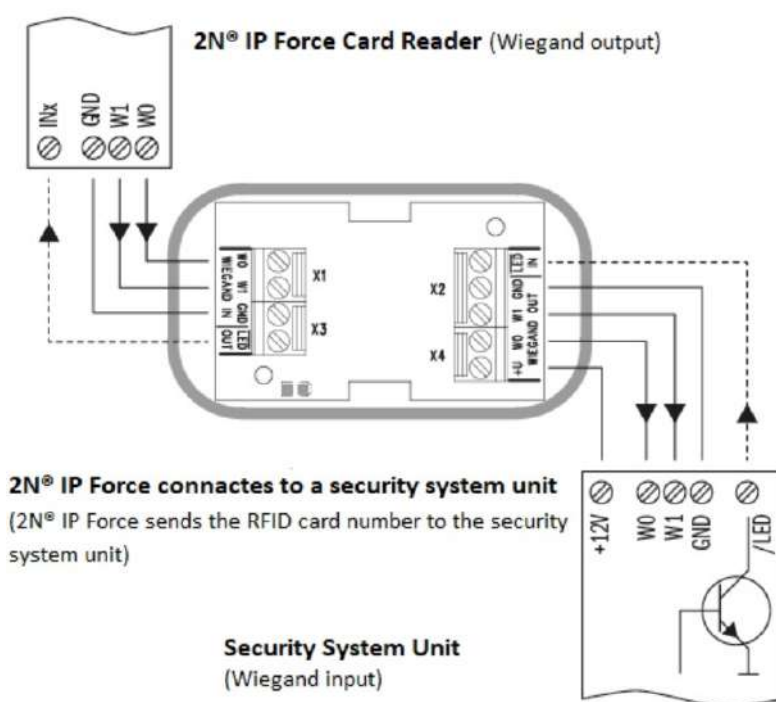
Function:

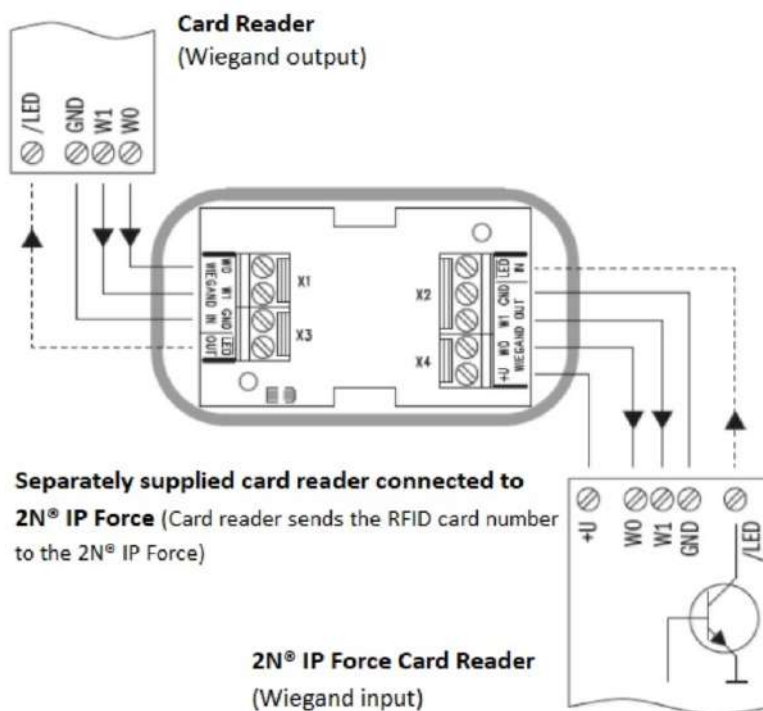
The 2N[®] Wiegand Isolator separates galvanically a two-wire Wiegand bus in one direction and a status LED signal in the other direction. The module is power supplied from the Wiegand bus receiver side.

Specifications:

- 2-wire WIEGAND IN
- 2-wire WIEGAND OUT
- LED IN switched against GND on WIEGAND OUT side
- Open LED OUT switched against GND on WIEGAND IN side (up to 24 V / 50 mA)
- 5 to 16 V / 10 mA power supply from Wiegand bus receiver side
- 500 V DC isolation strength

Connection:





Induction Loop

2N[®] Induction Loop (Part No. 9159050 – Induction loop amplifier for 2N IP intercom, Part No. 9159054 – Induction loop amplifier without 2N IP intercom accessory, Part No. 9159051 – External induction loop for wall mounting, Part No. 9159052 – 12 V DC power adapter) is part of sound system installations for hearing impaired persons that are equipped with a special hearing aid capable of receiving reproduced sound via a magnetic field receiver. The system is defined by the IEC 60118-4 standard.

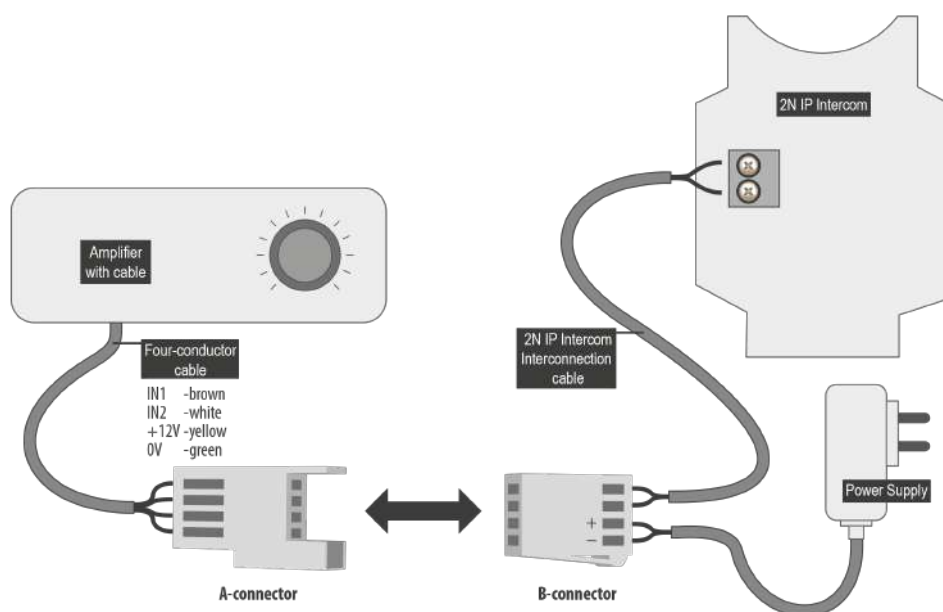
Installation:

The induction loop amplifier can be wall mounted with the use of an internal induction loop where a signal covering is requested. Outdoor use is possible thanks to the IP65 covering. A four-wire cable of the length of one meter is mounted to the supplied product for easier connection to the intercom. In the cable are two wires for 12 V DC supply and two wires for signal input, the wires are connected into interconnection connector. If you shorten the cable, follow the colour marking.

Before wall mounting run the cable through the hole that you have prepared. Then mark two mounting holes on the wall, through the amplifier front. Remove the amplifier and drill the mounting holes. Use the plugs and screws included in the delivery. Use a drill of the diameter of 6 mm. After fastening, cover the screws with the blanks supplied.

Use the supplied connectors to connect the amplifier to the intercom and power supply. The A connector is connected to the amplifier four-wire cable. Insert a special intercom-connecting cable supplied with the amplifier and 12 V power supply outlets to the B connector. Connect the special cable to the intercom and connect the power supply to the mains. You can place the mated A and B connectors into the 2N IP intercom cover. The connectors help you connect stripped cables. Open the connector by pushing a thin screwdriver onto the white spots at its front and close the connector by sliding the movable part through a side gap.

Finally, test the amplifier function using a suitable receiver for hearing impaired persons or magnetic field communication tester. No other settings are required.



Specifications:

- Supply voltage: 8 18 V DC
- Supply current at 12 V supply:
 - standby; up to 10 mA
 - no signal; 100 mA
 - 8 Ω load, half power output; 550 mA, sine wave signal; 400 mA, pink noise signal
 - 1 Ω load, full power output; 1.4 A, sine wave signal; 1 A, pink noise signal
- Transition to standby w/o signal: 10 s
- Input level - basic: 100 mV – 6 V_{rms}
- Input level - increased: 1 V – 35 V_{rms}
- Input impedance: 2 k Ω parallel with 0.3 H

-
- Output current, 1 Ω load: 2.2 A_{rms} (sine wave)
 - Full power output: 1.6 A_{rms} (pink noise)
 - Output current, 8 Ω load: 730 mA_{rms} sine wave signal
 - Half power output: 520 mA_{rms} pink noise signal
 - Output short-circuit resistance: unlimited time
 - Frequency characteristics: 100 Hz - 5 KHz \pm 3 dB
 - Temperature range: - 20 - +50 °C
 - Covering: IP65 (with round cable of 5-10 mm diameter)
 - Dimensions: 144 x 100 x 31 mm
 - Weight: 0.3 kg

2.5 Button Tags

Tag Printing

1. Every 2N[®] IP Force delivery includes a sheet of translucent foil, which can be laser-printed. Cut the printed foil and insert the tags in the name plates.
2. Every name plate includes a piece of foil, which can be written over manually, using a waterproof permanent marker, if necessary.

Note

- Always use waterproof foil (enclosed or other) for the tags. Never use paper or ink jet printing to avoid damage due to water leakage!

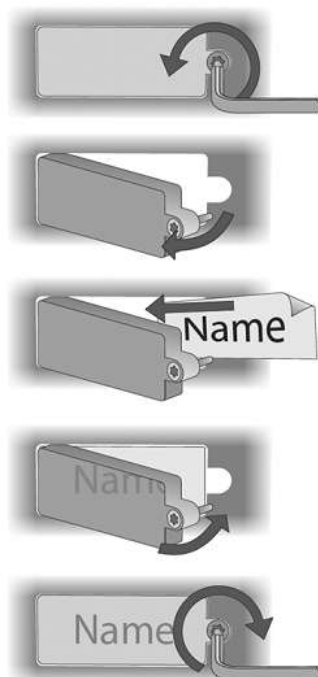
Tip

- A template for printing nametags can be downloaded from www.2n.cz.

Tag Inserting/Replacing Instructions

2N[®] IP Force provides an intuitive, easy access to the name plates. The tags are easy to insert and replace even without a manual. You need not remove the front panel and thus are not exposed to the risk of loss of components while replacing the tags.

1. Loosen the name plate screw using the wrench enclosed, for example. You can open the name plate window like a door without losing the tightened screw.
2. Remove the used or blank name tag and insert a new tag.
3. Close the name plate window and tighten the screw appropriately.
4. Check the click effect of the buttons: if the button fails to click properly when pressed (when moved by approx. 0.5 mm), the tag is too thick or thin. Make sure that the button clicks when you press it on both ends.



3. Function and Use

In this section we describe the basic and extending functions of the 2N[®] IP Force product.

Here is what you can find in this section:

- **3.1 Configuration**
- **3.2 Control**
- **3.3 Maintenance**
- **3.4 Downloads**

3.1 Configuration

Use a PC equipped with any web browser to configure **2N[®] IP Force**:

- Launch your web browser (Internet Explorer, Firefox, etc.).
- Enter the IP address of your intercom (<http://192.168.1.100/>, e.g.).
- Log in using the **Admin** user name and **2n** password.


You have to know the IP address of your device to log in to the integrated web server.

By default, **2N[®] IP Force** is switched into the dynamic IP address mode, i.e. it obtains the IP address automatically if a properly set DHCP server is available in your LAN. If no such DHCP server is available, you can operate **2N[®] IP Force** in the static IP address mode.

If your device remains inaccessible (you have forgotten the IP address, or the LAN configuration has changed, for example), change the LAN settings using the buttons on the device.

IP Address Retrieval

Take the following steps to retrieve the **2N[®] IP Force** IP address:

- Connect (or, if connected, disconnect and reconnect) **2N[®] IP Force** to the power supply.
- Wait for the second sound signal .
- Press the first quick dial button 5 times.
- **2N[®] IP Force** will read its IP address.
- If the address is 0.0.0.0, it means that the intercom has not obtained the IP address from the DHCP server.




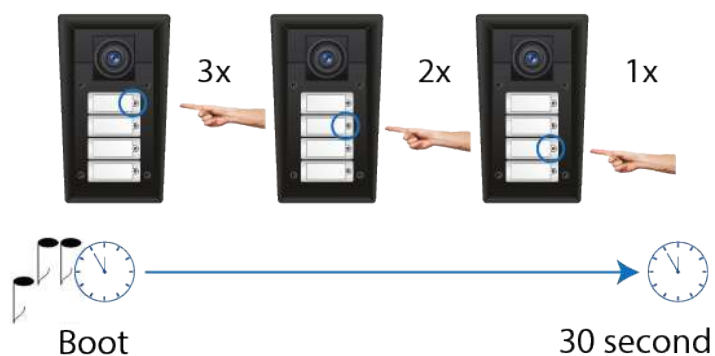
Note


- Be sure to press the button sequence within thirty seconds after the sound signal for security reasons. Up to 2 s intervals are allowed between the presses.

Static IP Address Setting for 4-button models

Follow the instructions below to enable the static IP address mode:

- Connect **2N[®] IP Force** to the power supply (or, disconnect and reconnect it if already connected).
- Wait for the first acoustic signal .
- Press buttons 1, 1, 1, 2, 2, 3 sequentially.



- The acoustic signal  indicates mode switching.
- Wait until the device is restarted automatically.

Caution


- The 1, 1, 1, 2, 2, 3 sequence must be entered within 30 seconds after the first sound signal for security reasons. The inter-digit delay may be 2 s at most.

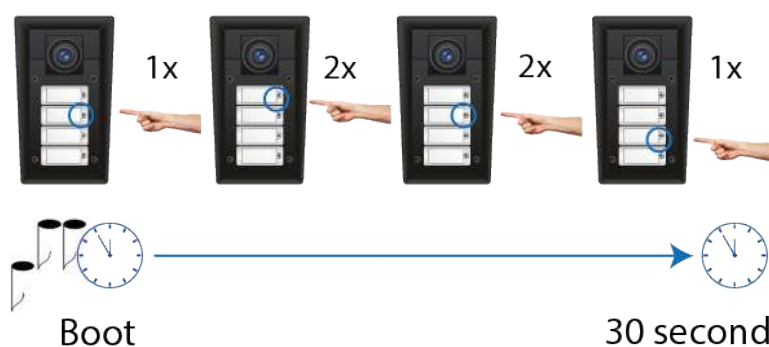
The device will have the following network parameters after restart:


- IP address - 192.168.1.100
- Network mask - 255.255.255.0
- Default gateway - 192.168.1.1

Dynamic IP Address Setting for 4-button models

Follow the instructions below to enable automatic getting of network parameters from the DHCP server:

- Connect **2N[®] IP Force** to the power supply (or, disconnect and reconnect it if already connected).
- Wait for the first acoustic signal .
- Press buttons 2, 1, 1, 2, 2, 3 sequentially.



- The acoustic signal  indicates mode switching.
- Wait until the device is restarted automatically.



Caution

- The 2, 1, 1, 2, 2, 3 sequence must be entered within 30 seconds after the first sound signal for security reasons. The inter-digit delay may be 2 s at most.

2N[®] IP Force gets the IP address upon restart only if the DHCP server is configured properly.

Mode Switching with 1 or 2-Button Models

In case your 2N[®] IP Force device is equipped with 1 or 2 buttons, you can switch the modes using one button only.

- Connect 2N[®] IP Force to the power supply (or, disconnect and reconnect it if already connected).
- Wait for the first acoustic signal .
- Press the first quick dial button 15 times.
- The acoustic signal  indicates mode switching.
- Wait until the device is restarted automatically.



**Caution**

- The 15 times 1 sequence must be entered within 30 seconds after the first sound signal for security reasons. The inter-digit delay may be 2 s at most.

The static IP address mode will be switched into the dynamic IP address mode and vice versa upon restart.


3.2 Control

This subsection describes how to control 2N[®] IP Force when viewed by an external user.

Speed Dial Buttons

Press the speed dial buttons on the basic unit to make quick dialling for the first 1, 2 or 4 positions (depending on the model type) in the telephone directory. Call setup is signalled by a long intermittent tone or otherwise as configured in the PBX connected.



Repeated pressing of one and the same speed dial button during call setup may initiate call termination, or call termination plus dialling the next telephone number of the called subscriber, or may be assigned no function. This behaviour can be set in unit configuration.

If your model is equipped with a numerical keypad, you can also push the  button anytime to terminate a call if enabled so in the **Hang up with #** parameter.

Calling to Telephone Directory Positions

The 2N[®] IP Force telephone directory can contain up to 1999 pre-programmed positions. Speed dial can only be used for positions 1 to 4. The remaining positions can be retrieved via the numerical keypad if the **Speed dial using digits** function is enabled in configuration.


Procedure:



- Enter the position number using your numerical keypad (05, 15, 200, 1759 e.g. – two digits at least and four digits at most) and press  for confirmation.
- You can also push the  button anytime to terminate a call if enabled so in the **Hang up with #** parameter in the unit configuration.

Calling to Telephone Number



You can dial a telephone number using your numerical keypad from 2N[®] IP Force if the **Enable telephone function** parameter is on.

Procedure:

1. Press the  button.
2. You will hear the continuous tone from the loudspeaker.

3. Enter the telephone number using the numerical keypad and repress  for confirmation.
4. You can also push the  button anytime to terminate a call if enabled so in the **Hang up with #** parameter; refer to the Miscellaneous subsection.


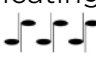
Answering and Rejecting Incoming Calls

If the automatic incoming call answering function is off, 2N[®] IP Force signals an incoming call with loud ringing. Push the  button to answer the call and the  to reject the call. This function is available in models equipped with a numerical keypad only.

Door Opening (Switch Activation) by Code

2N[®] IP Force is equipped with a door lock opening switch. Enter the valid code using your numerical keypad to activate the switch.






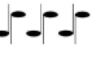
Procedure:

- Enter the numerical switch activating code using the numerical keypad and press  for confirmation.
- A successful entering of a valid code is signalled by a continuous tone indicating unlocking (switch activation). An invalid code is signalled acoustically by .

Profile Activation and Deactivation

Activate/deactivate a profile using the numerical keypad in order to define call routing to the telephone directory numbers more specifically.

Procedure:

- Enter the numerical profile activating/deactivating code and press  for confirmation.
- A successful entering of a valid code is signalled acoustically by  ( for profile) for activation, or  ( for profile) for deactivation. An invalid code is signalled acoustically by .

3.3 Maintenance

Cleaning

If used frequently, the device surface, the keypad in particular, gets dirty. To clean it, use a piece of soft cloth moistened with clean water. We recommend you to follow these principles while cleaning:

- Never use aggressive detergents (such as abrasives or strong disinfectants).
- Use suitable cleaning agents for glass lens cleaning (cleaners for glasses, optic devices screens, etc.).
- Alcohol-based cleaners may be applied.
- Clean the device in dry weather in order to make waste water evaporate quickly.
- We recommend using cleaning wipes designed for IT / electronic items.

Warning

- Avoid peroxide-based cleaners.

Tip

- The 2N[®] IP Force models of Part Nos. 9151101W and 9151101CW may be cleaned with WAP high pressure washers.

Future Tag Replacement, Programming Changes

For necessary steps refer to the preceding subsections. Keep the following for future changes:

- This manual
- Unused transparent foil strips for button tags



Caution

- Always use the product for the purpose it was designed and manufactured for, in compliance herewith.
- The manufacturer reserves the right to modify the product in order to improve its qualities.
- **2N[®] IP Force** contains no environmentally harmful components. When the product's service life is exhausted and you would like to dispose of it please do so in accordance with applicable legal regulations.

3.4 Downloads

Templates

Nametags

Software

2N[®] IP USB driver

2N[®] IP Eye

2N[®] IP Network Scanner

4. Technical Parameters

Signalling protocol

- SIP (UDP, TCP, TLS)

Buttons

- **Button design:** Transparent, white backlit buttons with easily replaceable name tags
- **Count of buttons:** 1, 2 or 4
- **Numerical keypad:** optional

Audio

- **Microphone:** 2 integrated microphones
- **Amplifier:** 10 W (class D)
- **Loudspeaker:** 10 W
- **Sound pressure level (SPL max):** 78.5 dB (1 W type, for 1 kHz, distance 1 m)
- **Sound pressure level (SPL max):** 94 dB (10 W type, for 1 kHz, distance 1 m)
- **Volume control:** Adjustable with automatic adaptive mode
- **Full duplex:** Yes (AEC)
- **Speech transmission index (STI):** 0.80

Audio stream

- **Protocols:** RTP / RTSP
- **Codecs:** G.711, G.729, G.722, L16/16 kHz

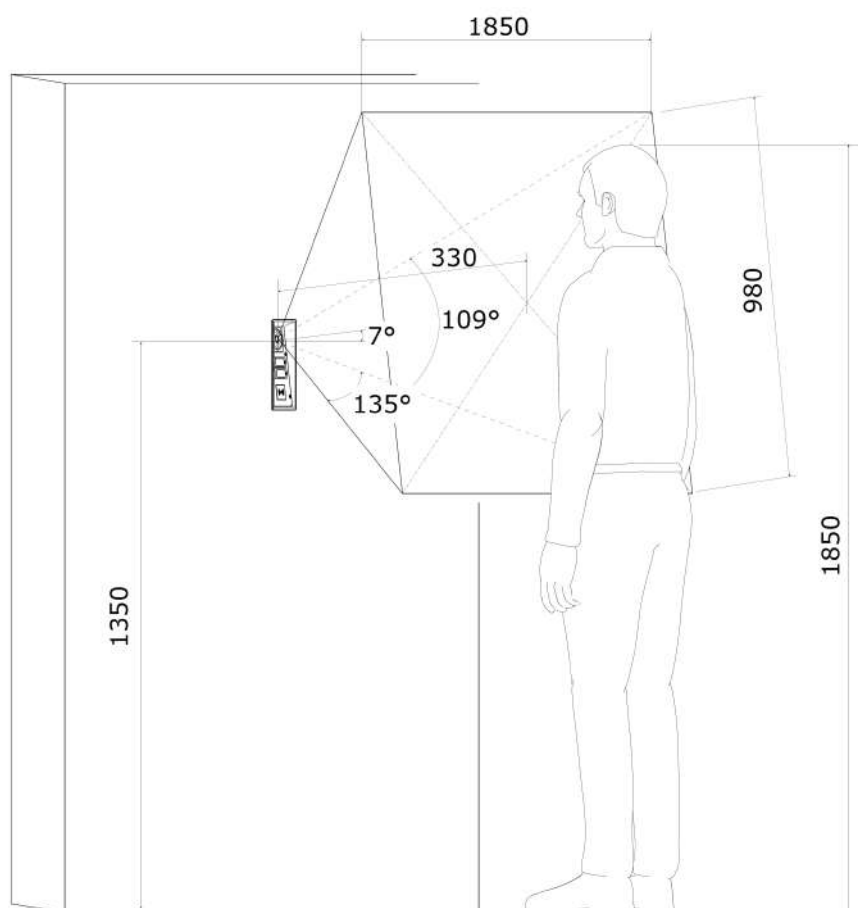
Camera SD

- **Sensor:** 1/4" colour CMOS
- **Resolution:** 640 (H) × 480 (V)
- **Frame rate:** Up to 30 snaps/s
- **Sensor sensitivity:** 1.9 V/lux-sec (550 nm)
- **View angle:** 135° (H), 109° (V)

- **Infrared light:** Yes
- **Focal length:** 1.1 mm
- **Focal length HD version:** 2.3 mm

Camera HD

- **Sensor:** 1/3" colour CMOS
- **JPEG resolution:** Up to 1280 (H) x 960 (V)
- **Video resolution:** 640 (H) x 480 (V)
- **Frame rate:** Up to 30 snapshots/s
- **Sensor sensitivity:** 5.6 V/lux-sec (550 nm)
- **View angle:** 135° (H), 109° (V)
- **Infrared light:** Yes
- **Sensor sensitivity without IR light:** 0,1 Lux \pm 20 %
- **Focal length:** 2.3 mm



Video stream

- **Protocols:** RTP / RTSP / HTTP
- **Codecs:** H.263, H.263+, H.264, MPEG-4, M-JPEG
- **IP camera function:** Yes, ONVIF v2.4 profile S compatible

Bandwidth

- **Audio codecs**

- - PCMA, PCMU - 64 kbps (with 85.6 kbps headers)
 - G.729 - 16 kbps (with 29.6 kbps headers)
 - G.722 - 64 kbps (with 85.6 kbps headers)
 - L16 / 16 kHz - 256 kbps (with 277.6 kbps headers)

- **V i d e o c o d e c s**

Set the video codec data flows in the Services / Phone / Video menu for calls and in the Services / Streaming / RTSP menu for streaming. The set bandwidth represents the value that the codec has to approach on a long-time average. The data flows can vary depending on the scene to be scanned.

The measured data flow values correspond to the test view of a person standing in front of the intercom.

- **H.264**

- Low quality: QVGA (320 x 240), 10 fps, 256 kbps: 181 kbps (with 190 kbps headers)
- Medium quality: VGA (640 x 480), 15 fps, 768 kbps: 600 kbps (with 661 kbps headers)
- High quality: VGA (640 x 480), 30 fps, 2048 kbps: 1319 kbps (with 1372 kbps headers)

- **MJPEG**

- Low quality: QVGA (320 x 240), 10 fps, quality 70: 435 kbps with headers
- Medium quality: VGA (640 x 480), 15 fps, quality 85: 506 kbps
- High quality: SXGA (1280 x 960), 15 fps, quality 95: 8 Mbps

Interface

- **Power supply:** 12 V \pm 15 % / 2 A DC or PoE
- **PoE:** PoE 802.3af (Class 0-12.95 W)
- **LAN:** 10/100BASE-TX s Auto-MDIX, RJ-45
- **Recommended cabling:** Cat-5e or higher
- **Supported protocols:** SIP2.0, DHCP opt. 66, SMTP, 802.1x, RTSP, RTP, TFTP, HTTP, HTTPS, Syslog, ONVIF
- **Passive relay switch:** NO and NC contacts, up to 30 V / 1 A AC/DC

- **Active switch output:** 9 up to 13 V DC depending on power supply (PoE: 9 V; adaptor: power supply voltage minus 1 V), max 600 mA

RFID card reader

- **Optional**
 - Includes besides card reader itself: Wiegand interface, tamper switch, active output, relay, two inputs
- **Supported cards on 125 kHz version, Part No. 9151011**
 - EM4100, EM4102
- **Supported cards on 13.56 MHz version, Part No. 9151016** (only card serial number is read)
 - ISO/IEC 14443A
 - Mifare Classic 1k & 4k, DESFire EV1, Mini, Plus S&X, Ultralight, Ultralight C
 - ISO/IEC 14443B
 - CEPAS, HID iCLASS
 - JIS X 6319
 - Felica
- **Supported cards on 13.56 MHz NFC version, Part No. 9151017** (only card serial number is read)
 - ISO/IEC 14443A
 - Mifare Classic 1k & 4k, DESFire EV1, Mini, Plus S&X, Ultralight, Ultralight C
 - ISO/IEC 14443B
 - CEPAS, HID iCLASS
 - JIS X 6319
 - Felica
 - ISO/IEC 18092
 - SmartPhone with NFC/HCE support, since Android version 4.3

- **Supported cards on secured 13.56 MHz NFC version, Part No. 9151019** (optionally card serial number or PAC ID is read)
 - ISO/IEC 14443A
 - Mifare Classic 1k & 4k, DESFire EV1, Mini, Plus S&X, Ultralight, Ultralight C
 - ISO/IEC 14443B
 - CEPAS, HID iCLASS
 - JIS X 6319
 - Felica
 - ISO/IEC 18092
 - SmartPhone with NFC/HCE support, since Android version 4.3
- **Wiegand Interface:** Input/Output mode, located on RFID card reader module
- **Active switch output:** 9 up to 13 V DC depending on power supply (PoE: 9 V; adaptor: power supply voltage minus 1 V), max 600 mA
- **Passive relay switch:** NO and NC contacts, up to 30 V / 1 A AC/DC

Additional switch

- **Optional:** Includes also one input, active output, relay, tamper switch
- **Active switch output:** 9 up to 13 V DC depending on power supply (PoE: 9 V; adaptor: power supply voltage minus 1 V), max 600 mA
- **Passive relay switch:** NO and NC contacts, up to 30 V / 1 A AC/DC

Mechanical properties

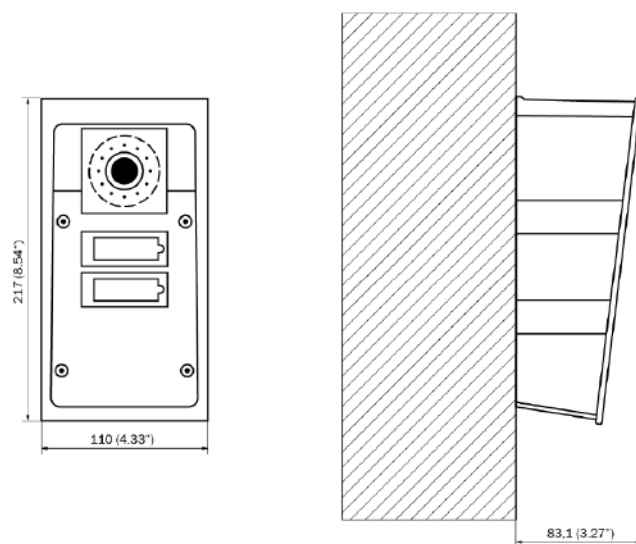
- **Cover:** Robust aluminium cast product, front panel: aluminium cast, fiberglass FR4 (91511xxxR)
- **Colour:** Not from RAL scheme, matching equivalent would be 9004 glossy black
- **Working temperature:** -40 °C to 55 °C
- **Working relative humidity:** 10 % - 95 % (non-condensing)
- **Storing temperature:** -40 °C to 70 °C
- **Dimensions**
 - 217 x 109 x 83 mm
 - 242 x 136 x 83 mm incl. frame
- **Weight:** netto max. 2 kg / brutto max. 2,5 kg
- **Covering level:** IP65, IP69K (91511xxxW)
- **Resistance level:** IK10

UL294 levels

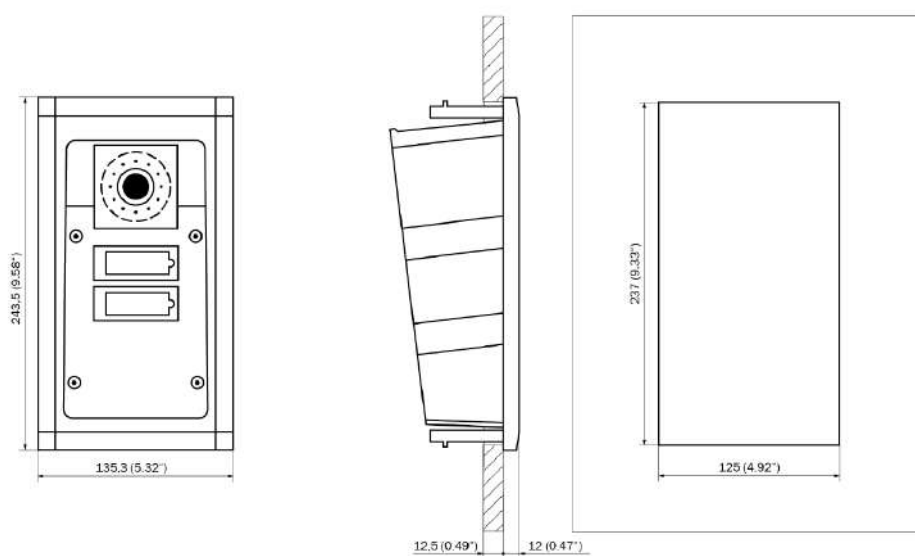
- Attack, Security, Line Security - Level I
- Endurance - Level IV

4.1 General drawings

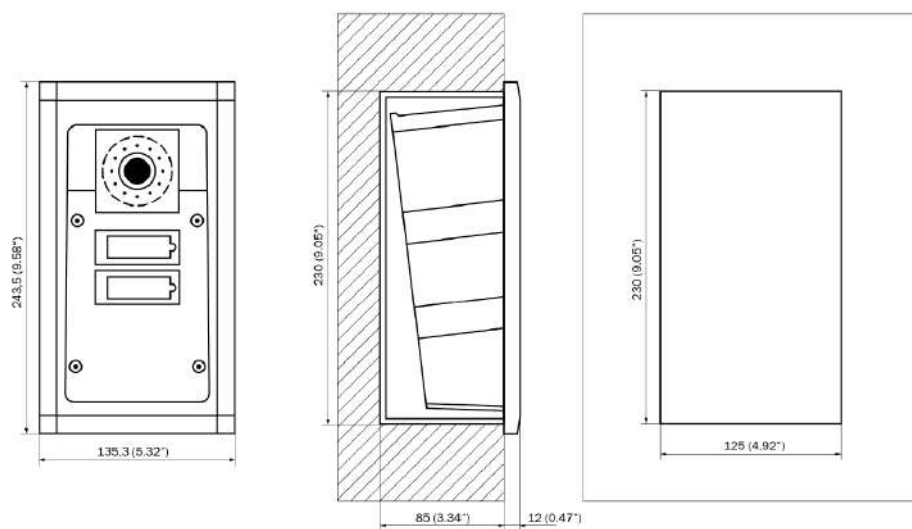
Surface mounting



Flush mounting



Plasterboard mounting



Flush mounting with box

5. Supplementary Information

Here is what you can find in this section:

- 5.1 Troubleshooting
- 5.2 Directives, Laws and Regulations
- 5.3 General Instructions and Cautions

5.1 Troubleshooting



For the most frequently asked questions refer to faq.2n.cz.

5.2 Directives, Laws and Regulations

2N[®] IP Force conforms to the following directives and regulations:

- 2014/53/EU for radio equipment
- 2011/65/EU on the restriction of the use of certain hazardous substances in electrical and electronic equipment
- 2012/19/EU on waste electrical and electronic equipment

Industry Canada

This Class B digital apparatus complies with Canadian ICES-003/NMB-003.

FCC

This equipment has been tested and found to comply with the limits for a Class B digital device, pursuant to part 15 of the FCC Rules.

NOTE: These limits are designed to provide reasonable protection against harmful interference in a residential installation. This equipment generates, uses and can radiate radio frequency energy and, if not installed and used in accordance with the instructions, may cause harmful interference to radio communications.

However, there is no guarantee that interference will not occur in a particular installation. If this equipment does cause harmful interference to radio or television reception, which can be determined by turning the equipment off and on, the user is encouraged to try to correct the interference by one or more of the following measures:

- Reorient or relocate the receiving antenna
- Increase the separation between the equipment and receiver
- Connect the equipment into an outlet on a circuit different from that to which the receiver is connected
- Consult the dealer or an experienced radio/TV technician for help

Changes or modifications to this unit not expressly approved by the party responsible for compliance could void the user's authority to operate this equipment.

DDA compliance:

2N TELEKOMUNIKACE intercoms comply with the Disability Discrimination Act 2005 (DDA) under the following conditions:

1. The intercoms are mounted so that their lower edge is between 100 and 120 centimeters above the floor.

-
2. The intercoms use a keyboard that has a mechanical protrusion on number 5.
 3. The intercoms use electromagnetic loop as a hearing aid.

 **Caution****Warning**

In order to ensure the full functioning and guaranteed outputs we strongly recommend a verification of the timeliness of version of product or facility already during the installation process. The customer takes into consideration that the product or facility can achieve the guaranteed outputs and be fully operational pursuant to the producer's instructions only by using the most recent version of product or facility, which has been tested for full interoperability and has not been determined by the producer as incompatible with certain versions of other products, only in conformity with the producer's instructions, guidelines, manual or recommendation and only in conjunction with suitable products and facilities of the other producers. The most recent versions are available on the website https://www.2n.cz/cs_CZ/, or specific facilities, depending on their technical capacity, allow updating in the configuration interface. Should the customer use any other version of product or facility than the most recent one, or the version that has been determined by the producer as incompatible with certain versions of other producers' products or facilities, or the product or facility in a way incompatible with the producer's instructions, guidelines, manual or recommendation or in conjunction with unsuitable products or facilities of the other producers, he or she is aware of all potential limitations of functionality of such a product or facility and all relating consequences. Should the customer use any other than the most recent version of the product or facility, or the version that has been determined by the producer as incompatible with certain versions of other producers' products or facilities, or the product or facility in a way incompatible with the producer's instructions, guidelines, manual or recommendation or in conjunction with unsuitable products or facilities of the other producers, he or she agrees that the company 2N TELEKOMUNIKACE a. s. is not liable neither for any limitation of such a product's functionality, nor for any damage, loss or injury relating to such a potential limitation of functionality.

5.3 General Instructions and Cautions

Please read this User Manual carefully before using the product. Follow all instructions and recommendations included herein.

Any use of the product that is in contradiction with the instructions provided herein may result in malfunction, damage or destruction of the product.

The manufacturer shall not be liable and responsible for any damage incurred as a result of a use of the product other than that included herein, namely undue application and disobedience of the recommendations and warnings in contradiction herewith.

Any use or connection of the product other than those included herein shall be considered undue and the manufacturer shall not be liable for any consequences arisen as a result of such misconduct.

Moreover, the manufacturer shall not be liable for any damage or destruction of the product incurred as a result of misplacement, incompetent installation and/or undue operation and use of the product in contradiction herewith.

The manufacturer assumes no responsibility for any malfunction, damage or destruction of the product caused by incompetent replacement of parts or due to the use of reproduction parts or components.

The manufacturer shall not be liable and responsible for any loss or damage incurred as a result of a natural disaster or any other unfavourable natural condition.

The manufacturer shall not be held liable for any damage of the product arising during the shipping thereof.

The manufacturer shall not make any warrant with regard to data loss or damage.

The manufacturer shall not be liable and responsible for any direct or indirect damage incurred as a result of a use of the product in contradiction herewith or a failure of the product due to a use in contradiction herewith.

All applicable legal regulations concerning the product installation and use as well as provisions of technical standards on electric installations have to be obeyed. The manufacturer shall not be liable and responsible for damage or destruction of the product or damage incurred by the consumer in case the product is used and handled contrary to the said regulations and provisions.

The consumer shall, at its own expense, obtain software protection of the product. The manufacturer shall not be held liable and responsible for any damage incurred as a result of the use of deficient or substandard security software.

The consumer shall, without delay, change the access password for the product after installation. The manufacturer shall not be held liable or responsible for any damage incurred by the consumer in connection with the use of the original password.

The manufacturer also assumes no responsibility for additional costs incurred by the consumer as a result of making calls using a line with an increased tariff.

Electric Waste and Used Battery Pack Handling



Do not place used electric devices and battery packs into municipal waste containers. An undue disposal thereof might impair the environment!

Deliver your expired electric appliances and battery packs removed from them to dedicated dumpsites or containers or give them back to the dealer or manufacturer for environmental-friendly disposal. The dealer or manufacturer shall take the product back free of charge and without requiring another purchase. Make sure that the devices to be disposed of are complete.

Do not throw battery packs into fire. Battery packs may not be taken into parts or short-circuited either.



2N TELEKOMUNIKACE a.s.

Modřanská 621, 143 01 Prague 4, Czech Republic

Phone: +420 261 301 500, Fax: +420 261 301 599

E-mail: sales@2n.cz

Web: www.2n.cz

v2.17