

ZNAC-92 Class A Converter Module Product Installation Document

PN 53683:A 6/17/2010 09-824

Overview

The ZNAC-92 Converter Module can be used to convert four (4) Style Y (Class B) to four (4) Style Z (Class A) Notification Appliance Circuits.

Hardware

The ZNAC-92 comes with all hardware required to mount to the Control Panel:

- ✓ one (1) 4-40 x 0.25" screw
- ✓ one (1) male/female 4-40 x 0.75" standoff
- ✓ two (2) plastic snap-in spacers

Installation

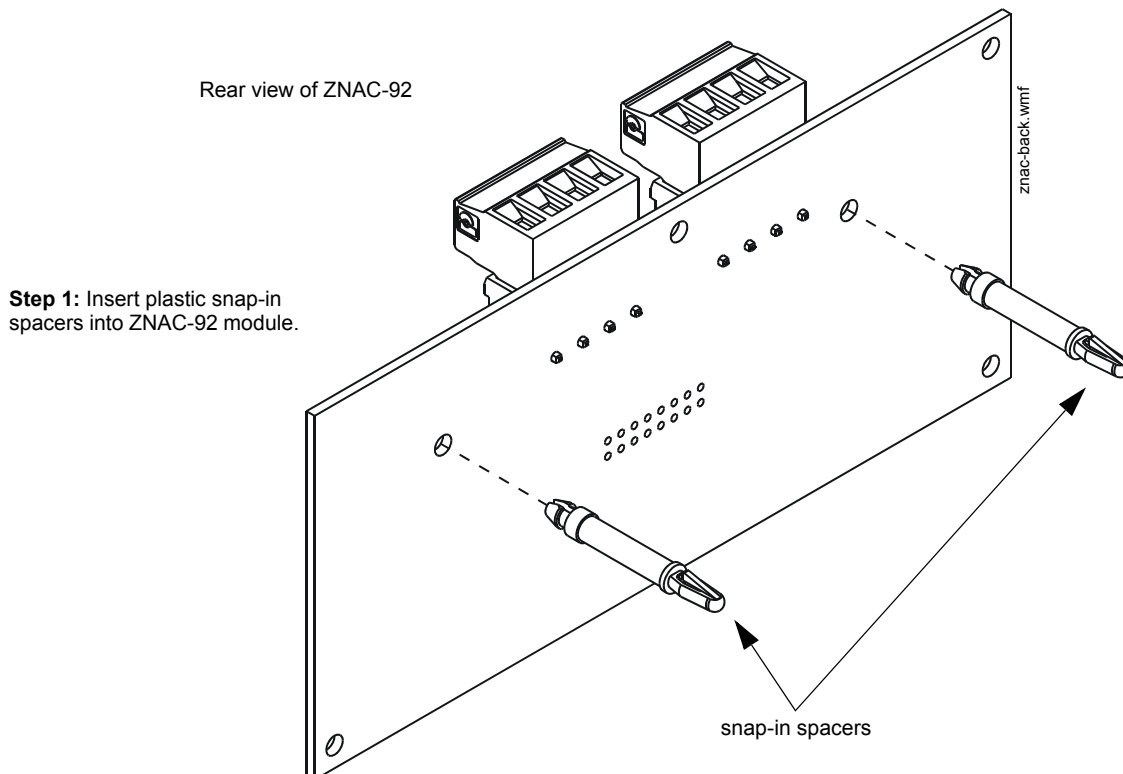
The ZNAC-92 mounts to connector J14 on the upper left side of the main circuit board. Follow the steps below to install the ZNAC-92 Converter Module.



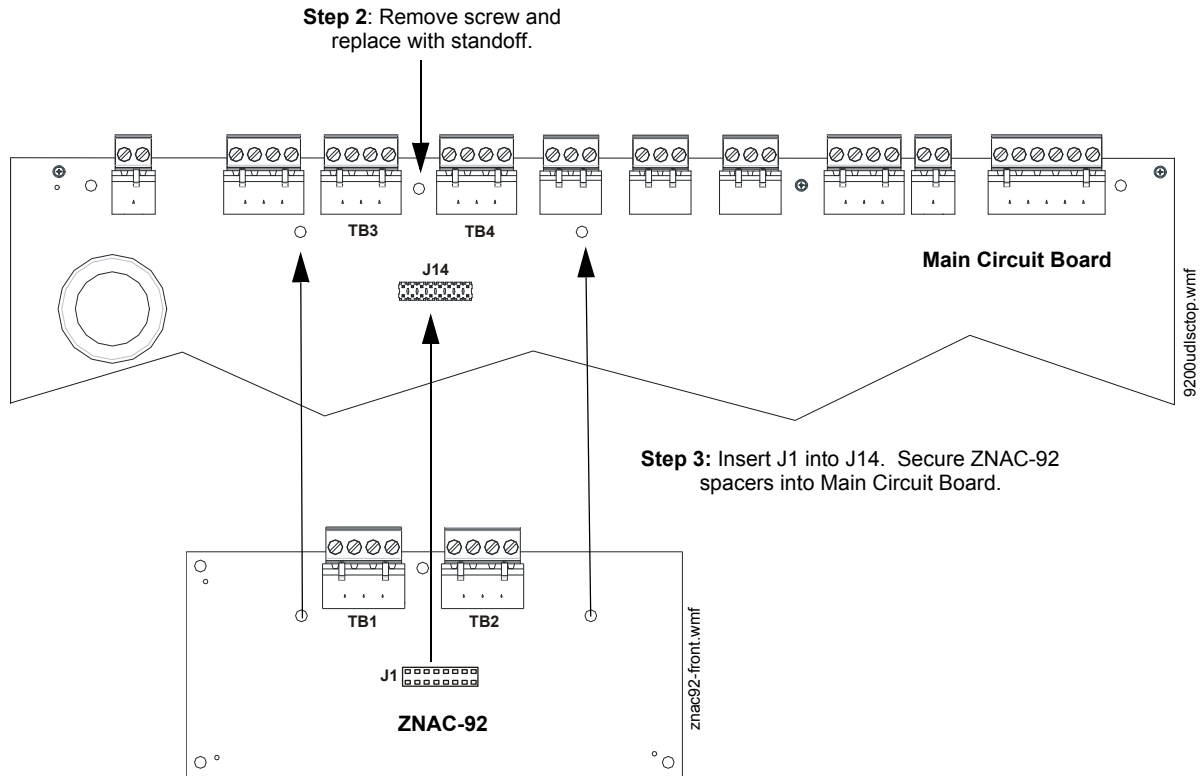
CAUTION: STATIC SENSITIVE COMPONENTS

CIRCUIT BOARDS CONTAIN STATIC-SENSITIVE COMPONENTS. ALWAYS GROUND YOURSELF WITH A PROPER WRIST STRAP BEFORE HANDLING ANY BOARDS SO THAT STATIC CHARGES ARE REMOVED FROM THE BODY. USE STATIC SUPPRESSIVE PACKAGING TO PROTECT ELECTRONIC ASSEMBLIES.

1. Insert the two (2) plastic snap-in spacers to the back side of the ZNAC-92 module as shown.



- Remove the screw between TB3 and TB4 which secures the main circuit board to the chassis. Replace with the provided male/female standoff.
- Align the mounting hole between TB1 and TB2 on the ZNAC-92 with the standoff. Slip connector J1 on the ZNAC-92 onto connector J14 on the main circuit board, being careful not to bend any pins. Secure snap-in spacers on the ZNAC-92 into the positions shown.



- Secure the ZNAC-92 to the main circuit board with the screw provided.

