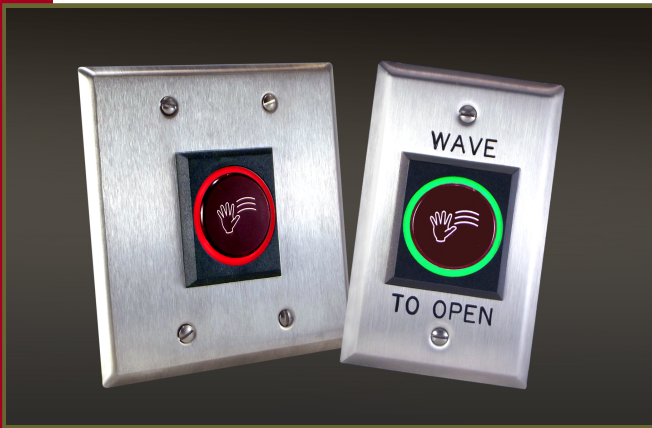


TOUCHLESS SWITCH

5278 Series Touchless Switches

Proximity Activated Switches



Typical Configurations:

#W5278-25 - Double Pole Double Throw Switch Mounted on a Single Gang Stainless Steel Plate

#D5278-25 - Double Pole Double Throw Switch Mounted on a Double Gang Stainless Steel Plate

Touchless Switch Activation

The 5278 series provides an economical solution for Touchless Ingress/Egress. The 5278 Series utilizes Optical Infrared Technology. The imbedded sensor picks up motion within a 4 inch range of the face plate. A simple wave of the hand activates the switch. No need to touch the switch; however, if inadvertently touched the sensor will pick up the motion before actual contact, resulting in normal operation

Environmentally Sanitary

The 5278 greatly decreases the potential to spread contagious diseases since no actual hand contact is required to activate. These Switches are often utilized with electronic locks and automatic door operators. Suitable for bathrooms, laboratories, hospitals, air locks, clean rooms or drive up windows.

Illuminated for Increased Visibility

The illuminated LED ring designates switch status and allows for visibility under low light conditions. The LED ring is red during the normal standby mode, green when activated in trigger mode.

Convenient Wiring Hook-up

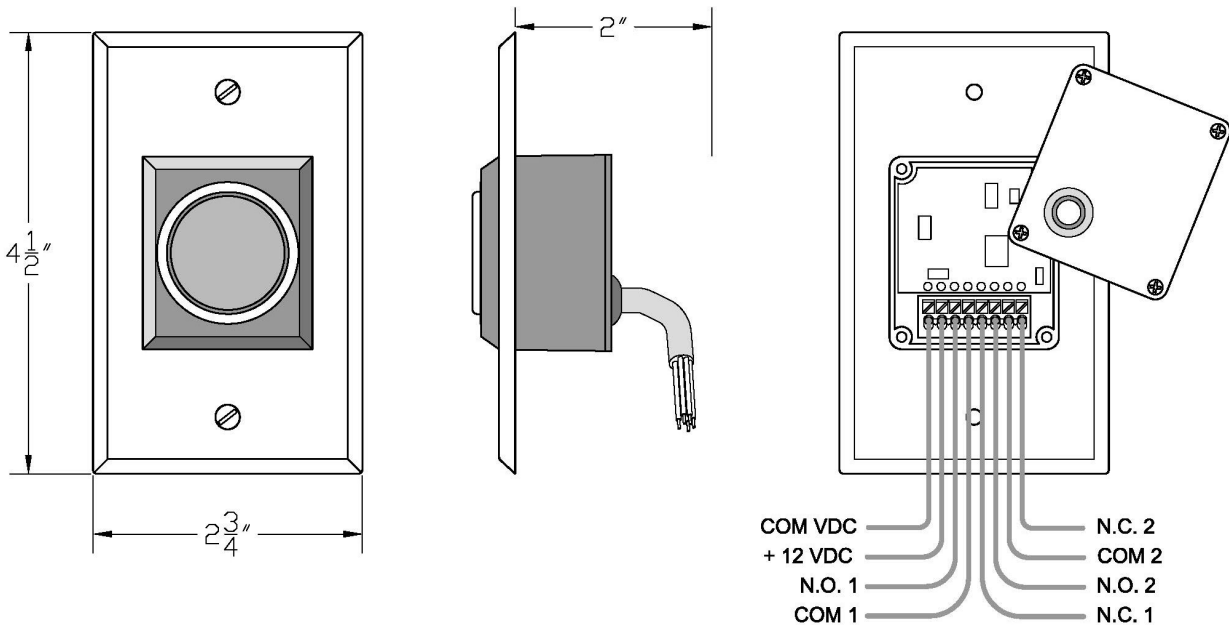
Switches are supplied standard with 6" leads for easy installation. Longer custom leads are available on special order. The multi conductor cable connects to the double pole double throw outputs and the 12VDC power input.

Access Control Compatible

Suitable for use with card access systems and/or automatic door openers, the DPDT dry contact outputs can be wired to signal a door to unlock and to the door opener to activate.

Product Specifications

Wiring Hook-up – Dimensions



Model Descriptions – Touchless Push Buttons:

W5278-25 - Momentary Pulse DPDT contacts with Bicolor LED Indicator Ring on 1-Gang Stainless Steel Switch Plate 4-1/2" x 2-3/4"

D5278-25 - Momentary Pulse DPDT contacts with Bicolor LED Indicator Ring on 2-Gang Stainless Steel Switch Plate 4-1/2" x 4-1/2"

Electrical –

Detection Range- 4 Inches (10 cm)
Input Voltage- 12 VDC.
Load rating - 3Amps @ 120 VAC / 30VDC.
Life - 100,000 operations at maximum rating.
Operating Temperature- -4F to 131F
(-20C to 55C)

LED Illumination-

Relay OFF Standby Mode: Red Illumination
Relay ON Trigger Mode: Green Illumination

Engraved Legends –

xE1W – WAVE TO OPEN
xE3 – EXIT
xHCP -- Handicap logo w/WAVE TO OPEN
xE6 – Custom engraved to customer specification.

Specifications –

Unless noted otherwise, switch assemblies shall be flush wall mounted to standard, recess mounted, electrical boxes. Mounting screws will be phillips head or flat head Pin-in-Hex tamper resistant type stainless steel as required.

Buttons are constructed of high impact plastic with a rectangular bezel. The mounting plate shall be constructed of stainless steel with smooth edges on all four sides. Plate finish shall be satin stainless steel. Optional text, if required, will be engraved and paint filled.



DORTRONICS SYSTEMS, INC.

1668 Sag Harbor Tpke., Sag Harbor, NY 11963 (800) 906-0137 (631) 725-8148 Fax www.dortronics.com