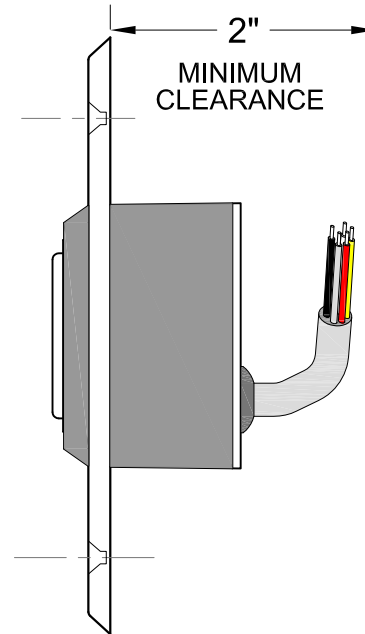
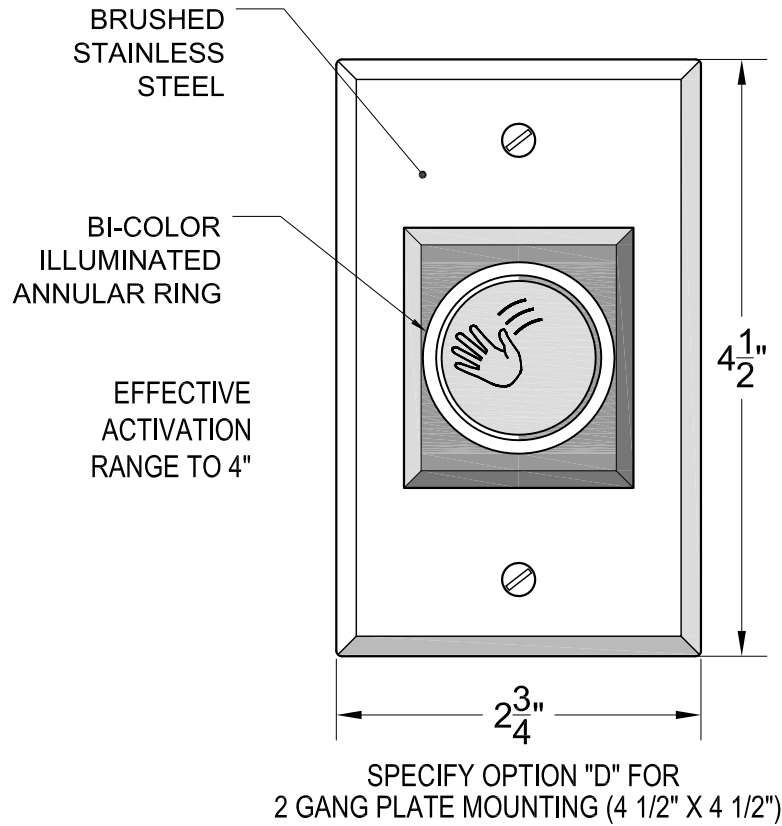
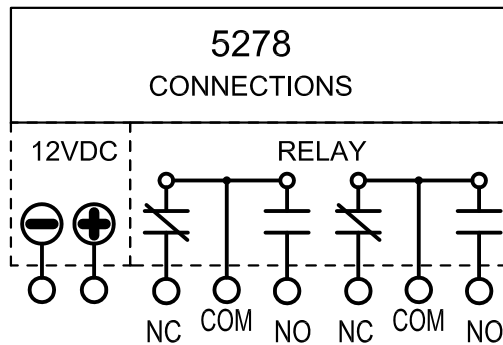
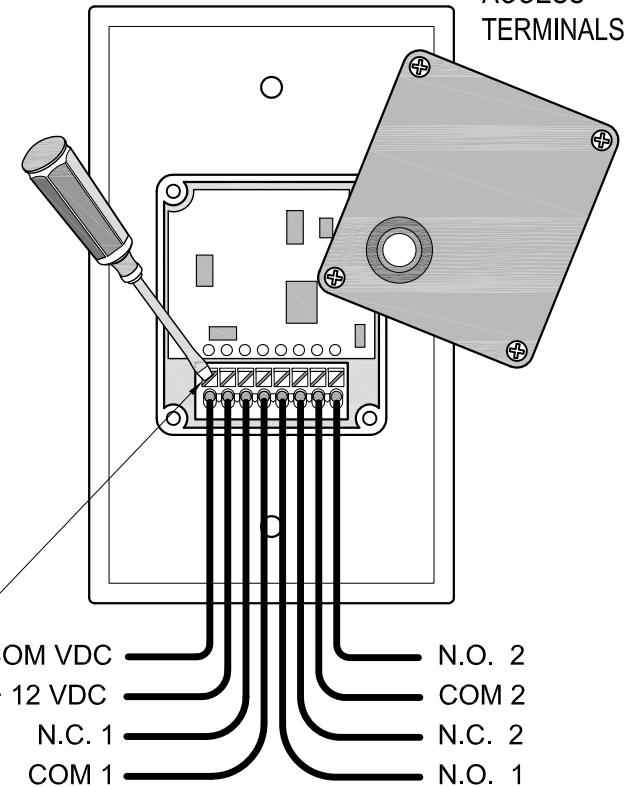


5278 TOUCH-LESS SWITCH



PRESS LOCK TERMINALS
PRESS TAB IN TO INSERT
OR REMOVE WIRE.



SPECIFICATIONS

Supply Voltage: **12 VDC**
 Dry Contact Rating: **3 Amps @ 30 VDC or 120 VAC**
 Detection Range: **4" (10 cm)**
 Temperature Rating: **4° F to 130° F (-20° C to 55° C)**
 Wire Length Supplied: **6" (Options available)**

REV -

PAGE 1 OF 1

5278 TOUCH-LESS SWITCH

DATE: 05/03/12

BY: JFH

CONNECTIONS AND MOUNTING



**DORTRONICS
SYSTEMS, INC.**
SAG HARBOR, NY
800-906-0137