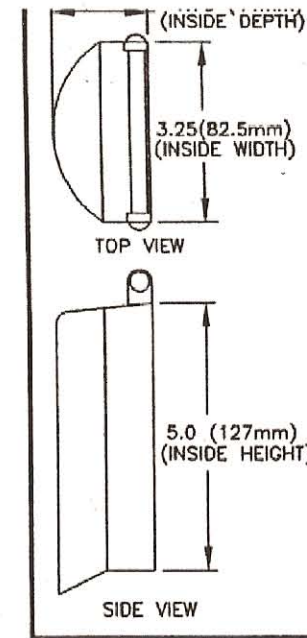
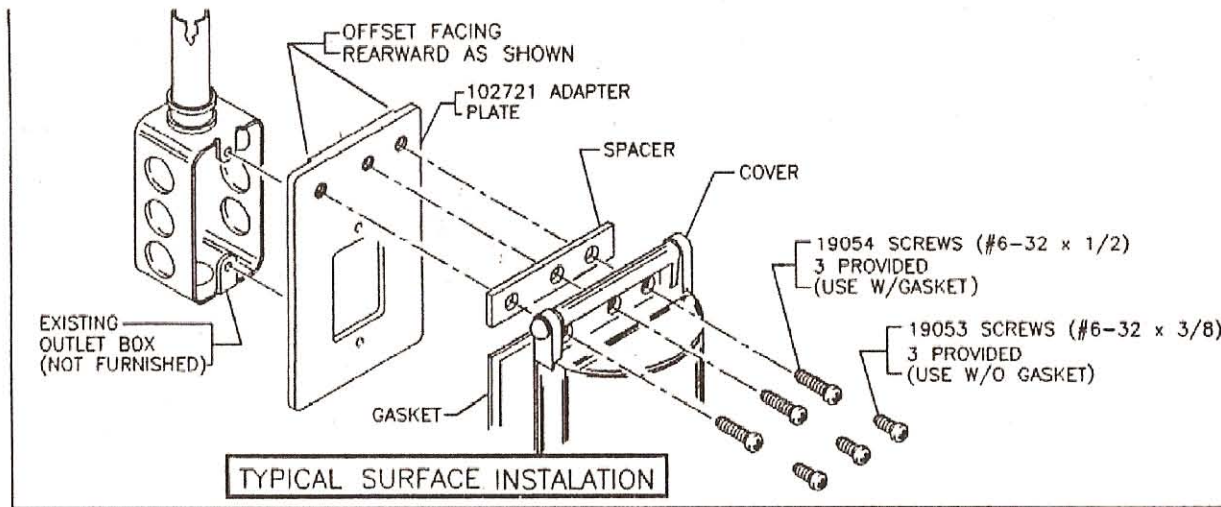


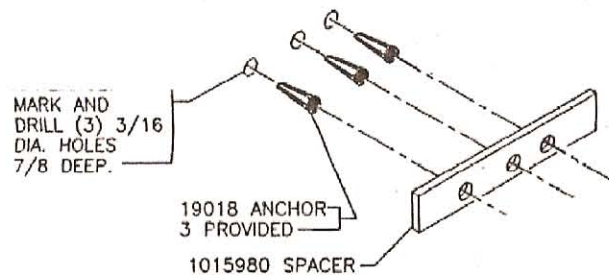
5210-COV

PROTECTIVE PLEXIGLASS COVER





PRODUCT DIMENSIONS



CLEANING INSTRUCTIONS

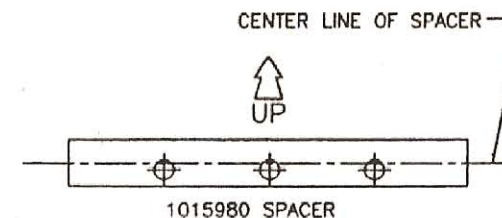
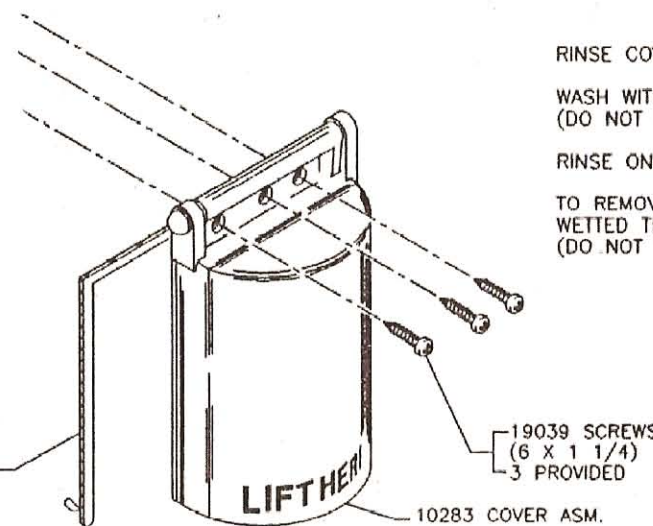
RINSE COVER WITH WATER TO REMOVE ABRASIVE DUST AND DIRT.

WASH WITH SOAP OR MILD DETERGENT, USING A SOFT CLOTH (DO NOT SCRUB)

RINSE ONCE MORE, THAN DRY WITH A SOFT CLOTH OR CHAMOIS.

TO REMOVE GREASE OR WET PAINT, RUB GENTLY WITH A CLOTH WETTED THOROUGHLY WITH NAPHTHA, THAN WASH AND RINSE. (DO NOT USE RAZOR BLADES).

101598 GASKET—INSTALL AFTER COVER ASM. AND SPACER HAVE BEEN SECURELY FASTENED. TOP EDGE OF GASKET MUST BUTT AGAINST BOTTOM OF SPACER AS SHOWN.



MAKE SURE SPACER IS INSTALLED AS SHOWN WITH MOUNTING HOLES BELOW CENTER LINE.

NOTE: IF WEATHER PROTECTION IS NOT REQUIRED, DISCARD GASKET AND SPACER, THEY ARE NOT NEEDED.

DORTRONICS SYSTEMS, INC.
1668 Sag Harbor Tpke., Sag Harbor, NY 11963
Tel. (631) 725-0505 • Fax (631) 725-8148

5210/COV SWITCH COVER