



**ALARM SAF**

## POWER SUPPORT SYSTEM (PS5)



### 12/24 VDC; 2½/4 Amp



The PS5 CE Line consists of six Power Supply/Battery Charger Units, complete with an internal stepdown transformer, louvered cabinet and key lockable door. Optional batteries of capacities up to 20Ah @ 12V or 8Ah @ 24V may be housed within the cabinet. These units are capable of charging battery sets to 34 Ah in a separate enclosure. The models designated PS5-12040, PS5-24040, PS5-12025, and PS5-24025 have a form "C" relay transfer on a fault condition and models PS5-12025 and PS5-24025 feature an autoresetting Polyfuse device for current limiting. CE Listed for European use.

## DIMENSIONS

### Cabinet Size

ž 11"L x 15"W x 4" D (27.94cm x 38.1cm x 10.16cm)

### Cabinet Weight

ž 18lbs (8.16 kg) Less Batteries

### Cabinet Material

- 18 Gauge Steel

### Battery Space

ž 4.87"L x 15"W x 4" D (12.34cm x 38.1cm x 10.16cm)

## SPECIFICATIONS

### Input Characteristics

- AC Input
  - 240VAC (+10% / -15%), 50Hz., Single Phase
  - 1.25 Amp Maximum

### Output Characteristics

- Voltage: 12V or 24VDC @ 2½ to 4 Amps Max.
- Ripple: .350VAC rms @ 3.0A load.
- Overcurrent Protection - Electronically Limited
- Reverse Polarity Protection - Fuse
- Thermal Protection - Electronically Limited
- Battery Chemistry - Lead Acid/Gell Cell

### Visual Indicators

- AC Presence Green LED
- Fault Yellow LED (PS5-BFS-CE)
- System OK Green LED (PS5-B03-CE)

### Temperature Characteristics

- Operating Temperature Range
- 0° to 50°C
- Humidity: 85% @ 30°C

### Fault Detection

- Conditions Reported
  - Low Battery
  - Loss of AC
  - Blown Battery Fuse
  - Blown AC Fuse
  - Tripped PTC/CB (Power Limited Models Only)
- Reporting Method
  - PS5-BFS Models: Current Limited voltage output
  - PS5-B03 Models: Form "C" Contact; 1A @ 24VDC rating

## FEATURES

- 12 or 24VDC Systems
- Fault Status
- Key Lockable Door
- Common Trouble Relay
- Thermal and Reverse Battery Polarity Protected
- **LIFETIME WARRANTY** (PC Board Only)

## TYPICAL USES

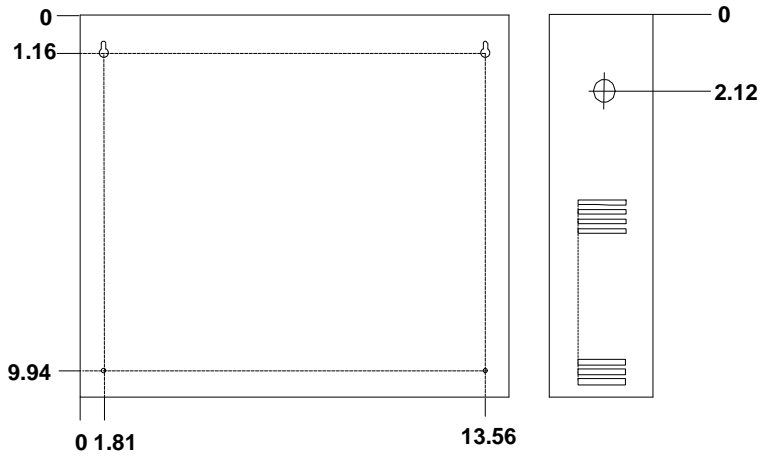
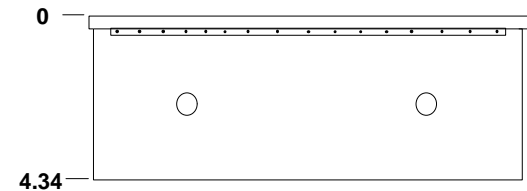
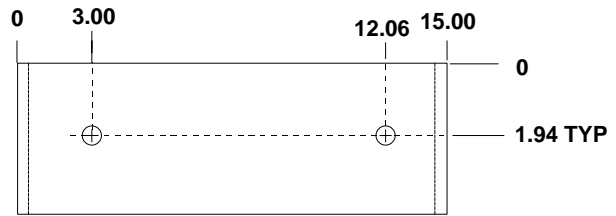
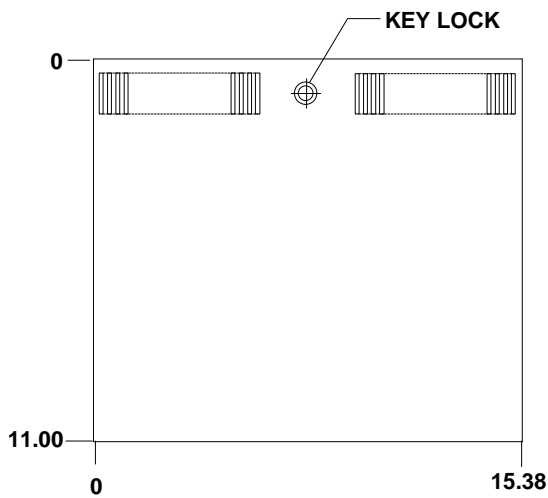
- Access Control Power
- Doorstrike Power
- Maglock Power
- CCTV Systems
- Proprietary Telephone Systems
- Security System Power

## ORDER INFORMATION

Order #	Model Number	Voltage	Current	Charge Capacity	Cabinet Space	Trouble Relay
01335	PS5-BFS-12-CE	12 VDC	4 A	34 Ah	20 Ah	
01336	PS5-BFS-24-CE	24 VDC	4 A	34 Ah	8 Ah	
01331	PS5-12025-B03-CE	12 VDC	2.5 A	34 Ah	20 Ah	Yes
01333	PS5-24025-B03-CE	24 VDC	2.5 A	34 Ah	8 Ah	Yes
01332	PS5-12040-B03-CE	12 VDC	4 A	34 Ah	20 Ah	Yes
01334	PS5-24040-B03-CE	24 VDC	4 A	34 Ah	8 Ah	Yes

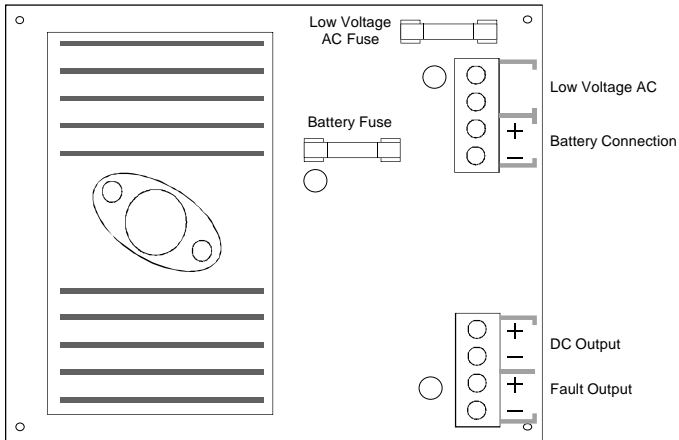
52-161, 6/1/97

# MECHANICAL



Dimensions in Inches

## PS5-BFS



## PS5-B03

