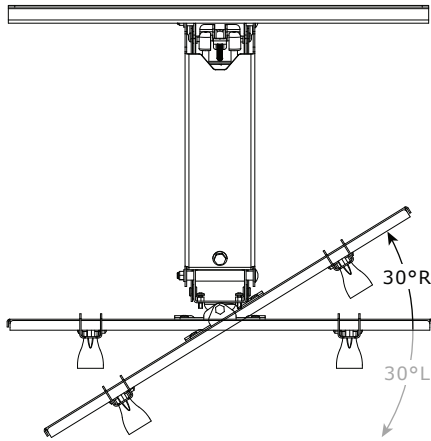


MM340 SPECIFICATIONS

OVERHEAD VIEW



TV Weight Capacity 20-90 pounds

TV Size 44" – 80" diag.

Max Lowering Distance 27"

Flush-to-Wall Distance 5.5"

Max Mantel Clearance* 18"/15"

Net Weight 29 pounds

Steel Thickness 2.5mm

Overall Dimensions

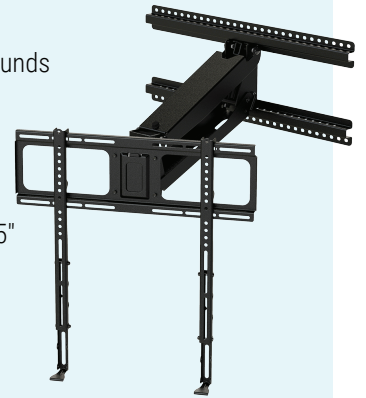
26"w X 25.2"h X 7.25"d

Swivel 30° Left and 30° Right

Mounting Pattern

VESA Up to 600mm x 600mm

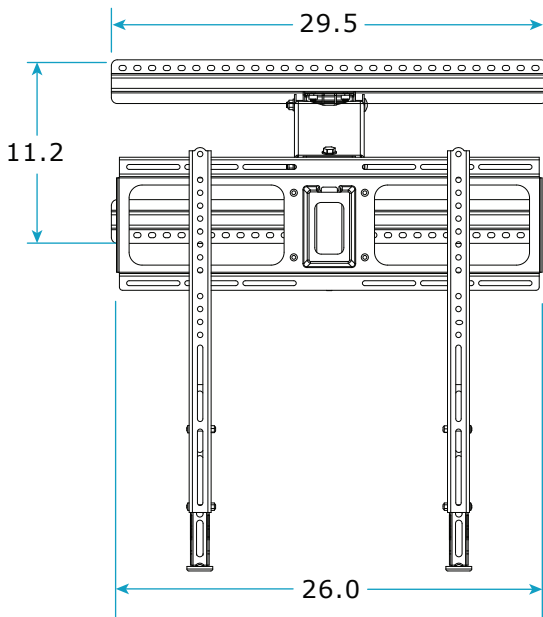
Features Dual Handles, Travel Stops in All Directions



U.S. Pat. No. 8,864,092

* Max mantel clearance: non-recessed/recessed

FRONT VIEW



SIDE VIEW

