

# DATA SHEET



## HDMI® and USB Pass Through Single Gang Wall Plate

Complete an in-wall HDMI and USB cabling installation with this wall plate featuring a flexible HDMI and USB pigtail

### OVERVIEW

---

The HDMI and USB Pass Through Single Gang Wall Plate is perfect for the transition to in-wall cabling. This solution offers a clean, professional look and is ideal for classrooms, conference rooms and houses of worship.

The HDMI and USB pass-through ports include thin, flexible pigtails that accommodate the tight bend radius required for installations within a standard junction box.

Constructed of high quality aluminum, this wall plate is designed for durability and a long life in commercial environments where constant wear and tear causes damage.

### FEATURES

---

- Supports HDMI audio/video signals and USB
- Flexible HDMI and USB pigtails for easy installation in a wall box
- Compatible with a standard single gang wall box
- Aluminum construction for durability and long life

### ITEM DESCRIPTION

---

39874 HDMI and USB Pass Through Single Gang Wall Plate - Brushed Aluminum

# DATA SHEET

## SPECIFICATIONS: HDMI and USB Pass Through Single Gang Wall Plate

### ELECTRICAL SPECIFICATIONS:

- Voltage Rating: 30V
- Nominal Capacitance: 58PF/M
- Conductor Resistance: @ 20°C max, 30AWG: 376.96[OHM]/KM
- Insulation Resistance: 10M[OHM]/km @ 20°C DC 500V
- Attenuation:
  - @ 0.30~825MHz 5dB/3.0M
  - @ 825~2475MHz 12dB/3.0M
  - @ 2475~4125MHz 20dB/3.0M
  - @ 4125~5100MHz 25dB/3.0M

### USB Electrical Specifications:

- Voltage Rating: 30V
- Conductor Resistance: @ 20°C max,  
28AWG: 232[OHM]/KM; 24AWG: 93.25[OHM]/KM
- Insulation Resistance: 10M[OHM]/km @ 20°C DC 500V

- Time Delay: 5.2ns/m (max)
- Impedance: 90±15%[OHM]
- Propagation Delay Skew: 100ps (Full-/High-speed only)
- Attenuation: (Full-/High-speed only)
- Differential Impedance: cable@200ps Tr(10-90%) 90±7[OHM]
- Intra-Pair Skew: 15ps/m@200ps Tr(10-90%)
- Attenuation/Insertion Loss:
  - 1.5dB/2M@0.1GHz
  - 5.0dB/2M@1.25GHz
  - 7.5dB/2M@2.5GHz
  - 25dB/2M@7.5GHz
- Differential to Common mode(max): 20dB/cable@0.1~7.5GHz
- Next: 32dB@0.1GHz 32dB@2.5GHz 23dB@3.0GHz 23dB@7.5GHz

### PHYSICAL SPECIFICATIONS:

- Jacket: Black PVC
- HDMI Jacket Thickness: 0.51mm
- HDMI Minimum Bend radius: 30mm
- USB Jacket Thickness: 0.38mm Min AVG
- USB Minimum Bend radius: R47mm
- Approvals: CE and conforms to 2011/65/EU ROHS 2

#### Conductor (2 Conductors, 5 Pair):

- Conductor: 30AWG(7/0.10TC)X5PR
- Insulation: FM-PE, ID: 0.75±0.05mm
- Color: Brown/White, Red/White, Orange/White, Green/White, Blue/White
- Drain: 30AWG(7/0.10TC)X5
- Shield: AL Foil WrapX5
- Braid: (16/5/0.08TC)X5

#### Conductor (4 Conductors):

- Conductor: 30AWG(7/0.10TC)X4C
- Insulation: PP, ID: 0.55±0.05mm
- Color: Red/Yellow/Orange/White
- Drain: 30AWG(7/0.10TC)
- Shield: AL Foil Wrap

#### Conductor (2 Conductors):

- Conductor: 24AWG(7/0.2TC)X2
- Insulation: SR-PVC ID: 0.23±0.05
- Color: Red/Black

#### Conductor (2 Conductors, 1 Pair):

- Conductor: 28AWG(7/0.127TC)X2
- Insulation: HD-PE, ID: 0.90±0.05mm(Green/White)
- Drain: 28AWG(7/0.127TC)
- Shield 1: AL Foil Wrap
- Shield 2: Braid(16\*5/0.10TC)

#### Wall Plate:

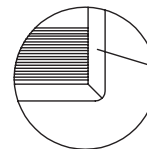
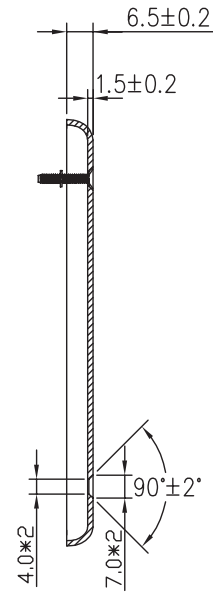
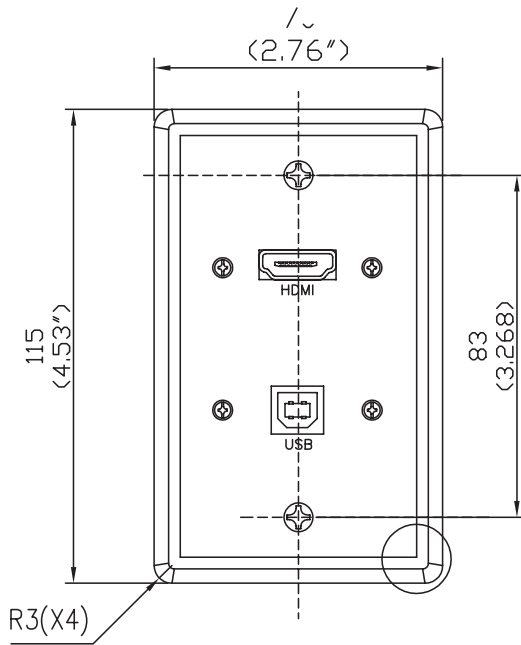
- Material: Brushed Aluminum 5052
- Hardness: HRB22 Anodizing- Drain: 28AWG(7/0.127TC)
- Shield 1: AL Foil Wrap
- Shield 2: Braid(16\*5/0.10TC)

#### Conductor (2 Conductors):

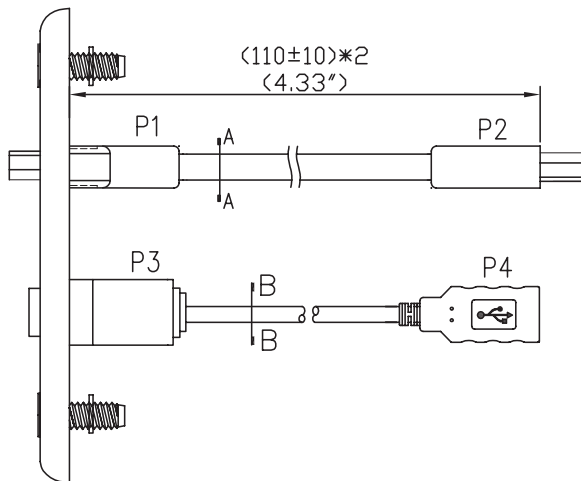
- Conductor: 26AWG(7/0.16TA)X2C
- Insulation: SR-PVC ID: 1.0±0.05
- Color: Black/White
- Shield: AL Foil Wrap
- Drain: 24AWG(7/0.20TA)

# DATA SHEET

## SPECIFICATIONS: HDMI and USB Pass Through Single Gang Wall Plate



THE BRUSH MARKS SHOULD BE HORIZONTAL ON THE SURFACE



**C2G**  
A brand of **legrand**

3555 Kettering Blvd.  
Moraine, OH 45439  
Phone: 800.CABL.911  
www.c2g.com

Follow Us

