



Cat6 Snagless Slim Patch Cables

- Supports voice/data/video distribution applications up to 500 MHz
- Meets all Cat6 TIA/EIA-568-C.2 standard for Patch Cord Performance*
- 28AWG cable is perfect for crowded spaces inside a rack unit or limited spaces
- Lifetime Warranty

*Note: This patch cable does not meet the recommend conductor size, 22-26AWG, requirement of ANSI/TIA-568-C.2. Attenuation is increased due to the smaller 28AWG conductors.

Specifications: Cat6 Snagless Slim Patch Cables

Electrical Specifications:

Conductor DC Resistance:	9.38Ω/100m (maximum)
Impedance:	100Ω
Capacitance:	5600pf/100m
Propagation Delay:	545ns/100m (maximum)
Delay Skew:	45ns/100m (maximum)

Physical Specifications:

Wiring Scheme:	T568B
Temperature Rating:	75°C
Voltage Rating:	30V
Approvals:	CE
Warranty:	Lifetime
Package Type:	Polybag

Conductor (4 pair):

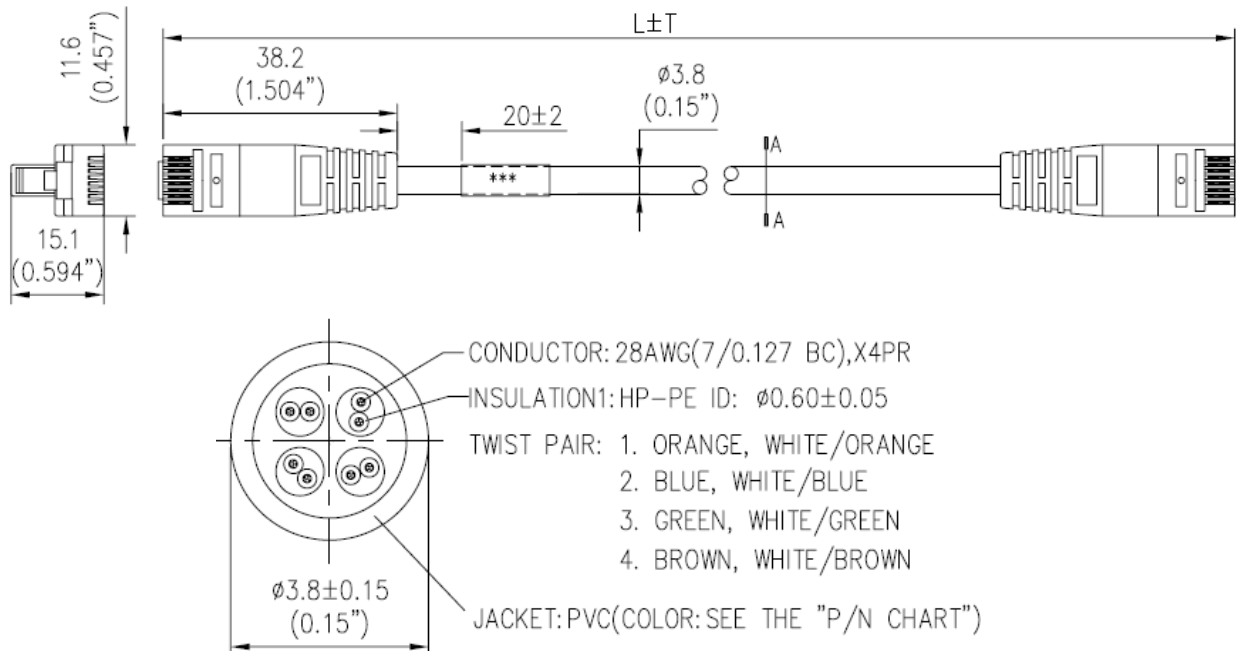
Conductor:	248AWG (7/0.127 BC)
Insulation:	HD-PE ID: $\varnothing 0.60 \pm 0.05$
Twist Pair:	Orange, White/Orange, Blue, White/Blue, Green, White/Green, Brown, White/Brown

Connectors (Qty 2):

Connector Type:	8P8C (RJ45)
Gender:	Male
Contacts:	Gold Plated 50μ
Hood:	Molded PVC, UL94V-0

Overall Cable

Jacket:	PVC
OD:	3.8 ± 0.15



Specifications: Cat6 Snagless Slim Patch Cables

Length	0.5ft	1ft	1.5ft	2ft	2.5ft	3ft	4ft	5ft	6ft	7ft	8ft	9ft	10ft
Blue	01071	01072	01073	01074	01075	01076	01077	01078	01079	01080	01081	01082	01083
Gray	01084	01085	01086	01087	01088	01089	01090	01091	01092	01093	01094	01095	01096
Black	01097	01098	01099	01000	01001	01002	01003	01004	01005	01006	01007	01008	01009

