

BOSE[®] CVT-12 Transformer for MA12 Loudspeakers

For use only by trained installers

Kun til brug for erfarne installatører

**Montage ausschließlich durch ausgebildetes
Installationspersonal**

Para uso exclusivo de instaladores capacitados

Réservé aux installateurs ayant suivi une formation

Solo per l'uso da parte di installatori professionisti

Mag alleen gebruikt worden door ervaren technici

Ska endast användas av utbildade installatörer

Contents

Indhold

Inhalt

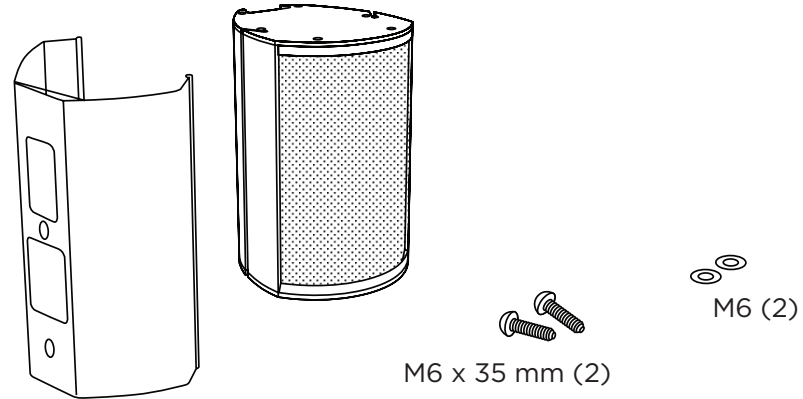
Contenido

Contenu

Contenuto

Inhoud

Innehåll



M6 x 35 mm (2)

M6 (2)

1

Choices

Valgmuligheder

Optionen

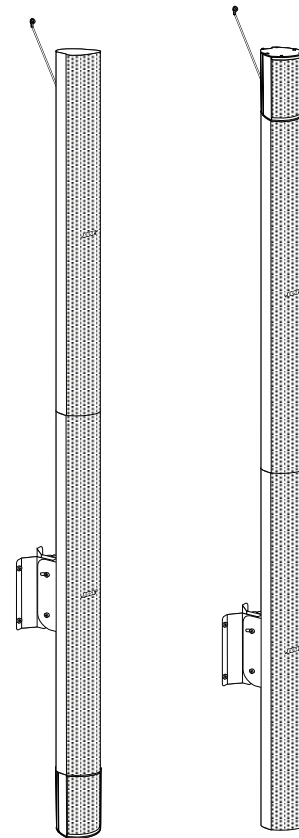
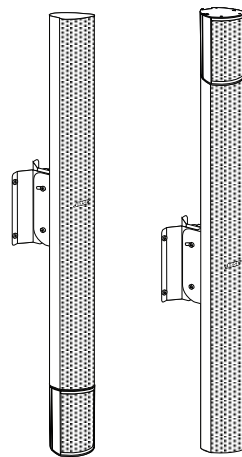
Opciones

Au choix

Opzioni

Keuzes

Alternativ



2

Wiring Schematic

Øversigt over
ledningsfØring

Schalt-schema

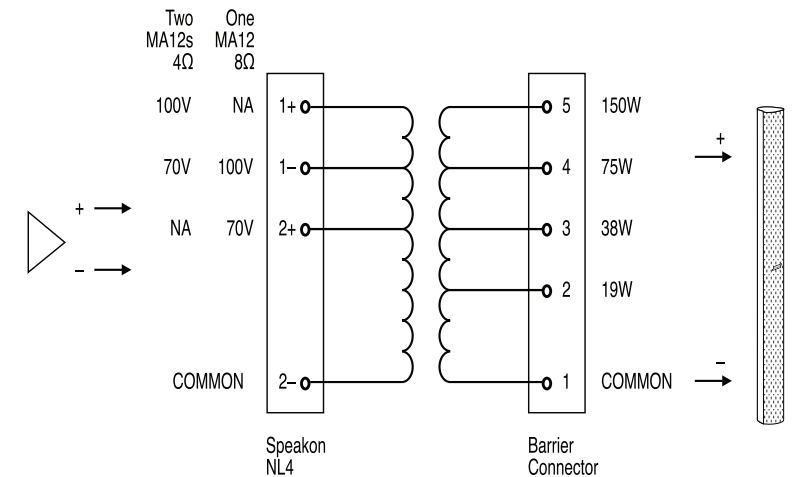
Esquema de
cableado

Schéma de
raccordement

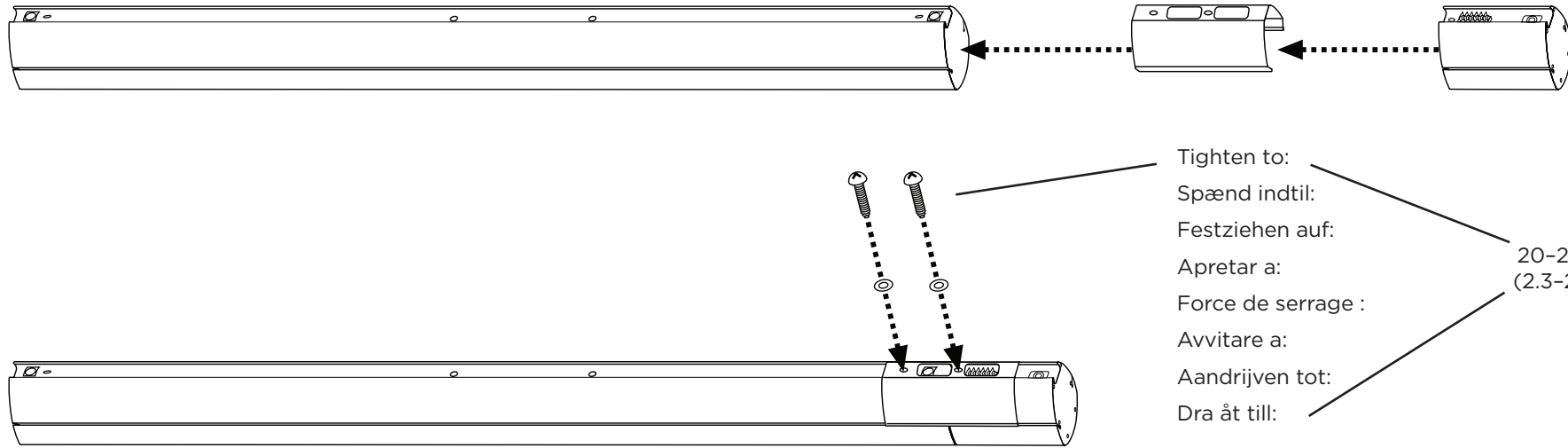
Schema del
cablaggio

Bedradingsschema

Schema fØr
ledningsdragning



3



China Importer: Bose Electronics (Shanghai) Company Limited, Level 6, Tower D, No. 2337 Gudai Rd. Minhang District, Shanghai 201100

UK Importer: Bose Limited Bose House, Quayside Chatham Maritime, Chatham, Kent, ME4 4QZ, United Kingdom

EU Importer: Bose Products B.V., Gorslaan 60, 1441 RG Purmerend, The Netherlands

Mexico Importer: Bose de México, S. de R.L. de C.V., Paseo de las Palmas 405-204, Lomas de Chapultepec, 11000 México, D.F. For importer & service information: +5255 (5202) 3545

Taiwan Importer: Bose Taiwan Branch, 9F-A1, No. 10, Section 3, Minsheng East Road, Taipei City 104, Taiwan. Phone Number: +886-2-2514 7676



263620-0020

BOSE
Better sound through research®

©2022 Bose Corporation, The Mountain Framingham, MA 01701-9168 USA
AM263620 Rev. 01