

TSRI-JB1

Single gang junction box - 1-1/4" deep - Ivory

Article Number: 250-10004

Part Number: TSRI-JB1

Type: TSR-JB1

Material: PVC



1. Base Data

Part No.	TSRI-JB1
Type	TSR-JB1
Color	Ivory
Features	HellermannTyton's low voltage TSR surface raceway system is a one piece latching duct designed to contain, route and protect wire and cable when it is not feasible to run it within the wall. It is manufactured from a 94 V-0 PVC and features a superior adh

2. Product Dimensions

Length (L) 4.75 "

Width (W) 3 "

Height (H) 1.25 "

4. Material and Specifications

Material Polyvinylchloride (PVC)

Material Shortcut PVC

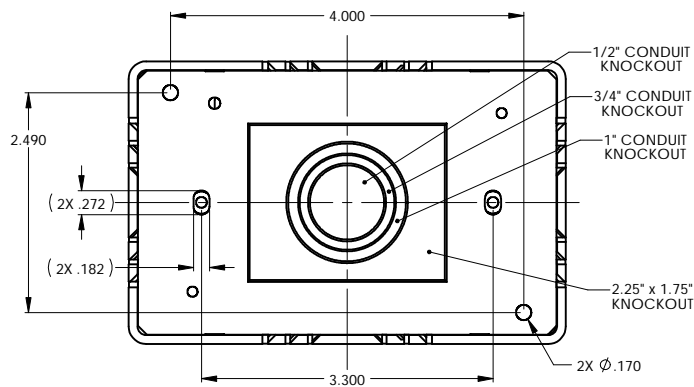
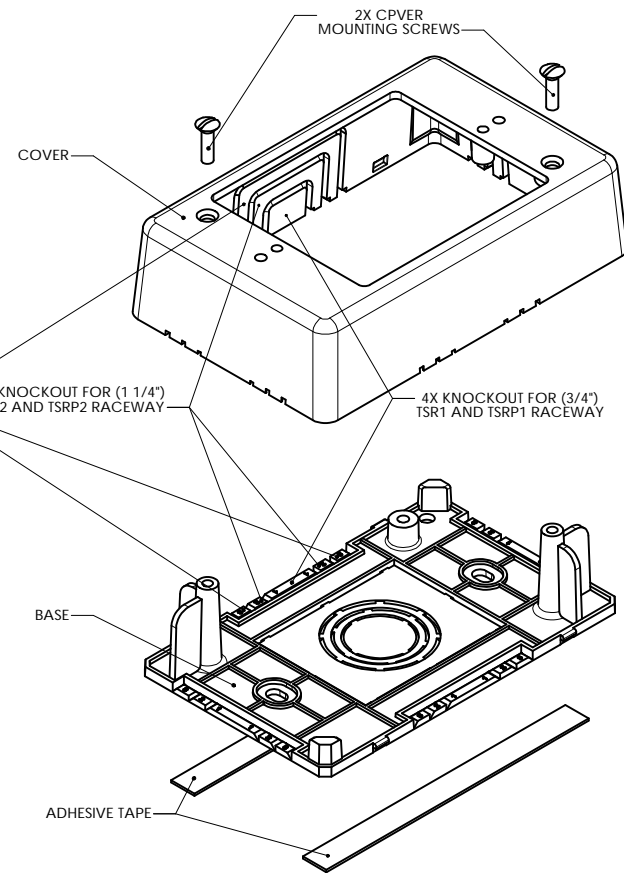
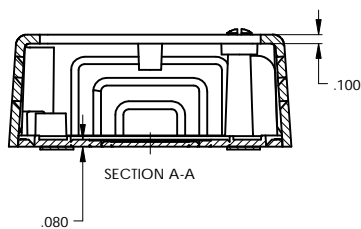
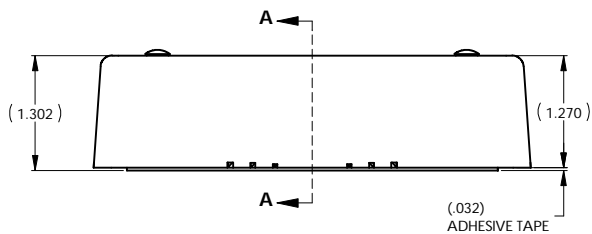
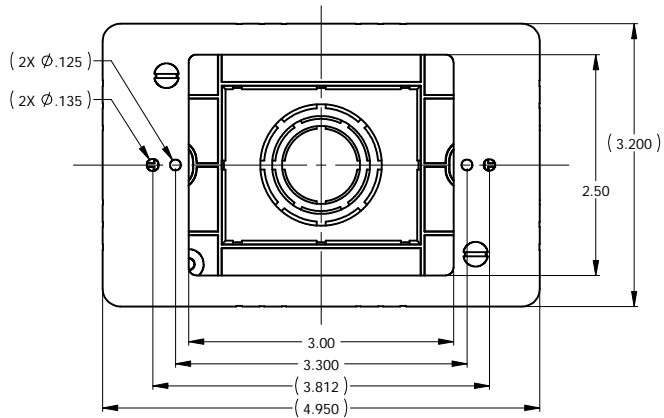
Logistic and Packaging

Packaging Type bag

Pkg. Qty. 1

Minimum Order Quantity 1

UPC 08930610090



BOTTOM VIEW SHOWN WITHOUT ADHESIVE TAPE

PART NO. DESCRIPTION

TSR _JB1

TSRP _JB1	POWER-RATED SYSTEM
TSR _JB1	LOW VOLTAGE SYSTEM
PART NO.	DESCRIPTION

COLOR:
I = IVORY
FW = OFFICE WHITE
W = WHITE

REDUCED
NO SCALE

HellermannTyton
A SPIRENT Company

name	date	city, state

- NOTES**
- FEATURES**
- ADHESIVE BACKED BASE FOR EASY PLACEMENT OF BOX DURING ASSEMBLY
 - SCREWS PROVIDED FOR MOUNTING OF COVER TO BASE
 - KNOCKOUT ENTRIES FOR ALL 3 SIZES OF TSR AND TSRP RACEWAY
 - LOW PROFILE
 - PAINABLE WITH LATEX BASED PAINT
 - FACE PLATE MOUNTS TO COVER DIRECTLY FOR EASY ACCESS
 - TWO DIFFERENT SETS OF MOUNTING HOLES FOR SURFACE MOUNT OR FOR MOUNTING DIRECTLY TO A FLUSH WALL JUNCTION BOX VIA LARGE RECTANGULAR KNOCKOUT IN BASE
 - BASE IS RIBBED FOR STABILITY

REVISION

level	01
by	PLN
date	07/17/02
ECN #	003274
part level	-

TOLERANCES

.XXXX = ±.0005
.XXX = ±.005
.XX = ±.01
.X = ±.03
∠ = ±0.5°
unless otherwise specified

units: inches

PART

number	SEE CHART	phase	PRODUCTION
name	TSR-JB1 & TSRP-JB1 JUNCTION BOX SURFACE RACEWAY CONNECTOR		
material	PVC		

DRAWING

format	C	CAO	SW	scale	1:1
computer file number	DT3026303CST_01	approval number	DTVCSN\3026303A	checked	approved
drawn	K.A.C.	checked			
date	12/16/96				
type	CUSTOMER				sheet 1 of 1
number	DT3026303CST				