

USB 3.0 Type A to Type B Active Cable

ORDERING INFORMATION

440-1005-008 — 26.25 ft. (8 m)
440-1005-023 — 65.6 ft. (20 m)
440-1005-025 — 98.4 ft. (30 m)



OVERVIEW

This shielded active cable supports the full bandwidth of USB 3.0 and can be used to extend all USB 3.0 products. It is conveniently port-powered and extended with repeater hubs and is also backwards-compatible with a computer's USB 2.0 and 1.1 ports for flexible use in bring-your-own-device (BYOD) installations.

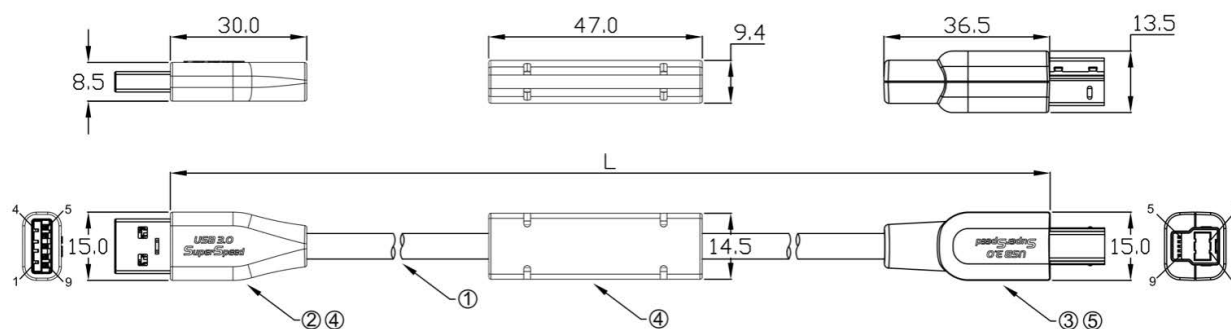
The USB cable has one or more repeater hubs depending on length.

FEATURES

- Fully shielded active cable
- USB port powered
- No external power source needed
- Supports USB 3.1 (gen 1), 3.0, 2.0, & 1.1
- Plug and play, hot swappable with no driver required
- Overcurrent detection and protection
- Tested compatible with Windows PC and macOS

TECHNICAL SPECIFICATIONS

Connector/Cable Type	USB-A Male, USB-B Male
Max Data Rate	5 Gbps
Connector Contact	Nickel Plated
Jacket Material	PVC
Operating Temperature	32 to 158°F (0 to 70°C)
Certifications	CE Approved, FCC Approved, RoHS Compliant
Supported Distance	Up to 164 ft (50 m)
Power Supply	+5VDC 900mA from connected host USB 3.0 port



LEGRAND | AV COMMERCIAL BRANDS
C2G | Chief | Da-Lite | Luxul | Middle Atlantic | Vaddio | Wiremold

THE ART OF EASY | legrandav.com

USA 800.572.2011 av.vaddio.support@legrand.com EMEA +31 495 580 840 av.emea.sales@legrand.com APAC +852 2145 4099 av.asia.sales@legrand.com

©2022 Legrand AV Inc. 220675 Rev A 9/22 Vaddio is a registered trademark of Legrand AV Inc. All other brand names or marks are used for identification purposes and are trademarks of their respective owners. All patents are protected under existing designations. Other patents pending.