

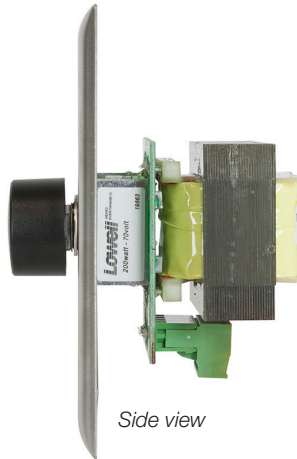
Model No.

200LVC

Volume Control

INCLUDES:

- 200W mono autoformer attenuator
- 2-gang wall plate
- Rotary knob



200W ATTENUATOR allows precise level adjustment of single or multiple speaker lines. This unit includes a standard two-gang stainless steel wall plate with black rotary knob.

FEATURES

DESCRIPTION: Mono autoformer attenuator with rotary knob for use with 70V/100V speaker line

POWER RATING: 200W

ATTENUATION: 3dB per step (33dB total with two steps of 6dB each before off)

TERMINATION: Phoenix style plug-in screw termination strips for pre-wire convenience

WIRE CAPACITY: Up to 14-gauge

SWITCH TYPE: Rotary knob, black

SWITCH POSITIONS: 0-max (10)

WALL PLATE: Standard two-gang stainless steel wall plate

COMPLIANCE & CERTIFICATIONS:

- ETL Listed (to UL 60065, UL 2043)
- Assembled in U.S.A. (U.S. stainless steel wall plate, Chinese components)

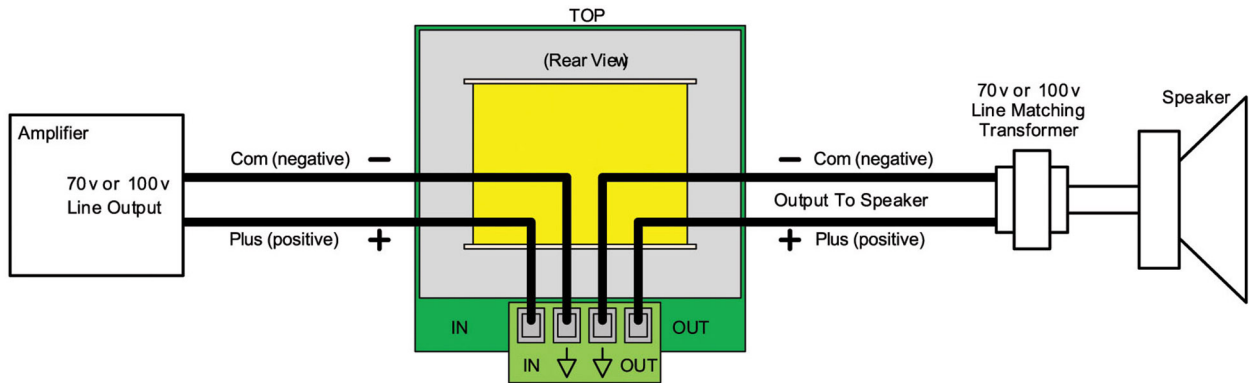
A&E SPECIFICATIONS

The mono autoformer attenuator style volume control shall be Lowell model 200LVC, which shall feature 3dB per step attenuation with two positions of 6dB before off. The volume control shall have plug-in termination for up to 14-gauge wire for 70V or 100V input connections (from an amplifier), and 70V or 100V output (to a speaker/transformer assembly). It shall include a standard two-gang stainless steel wall plate with black rotary knob.

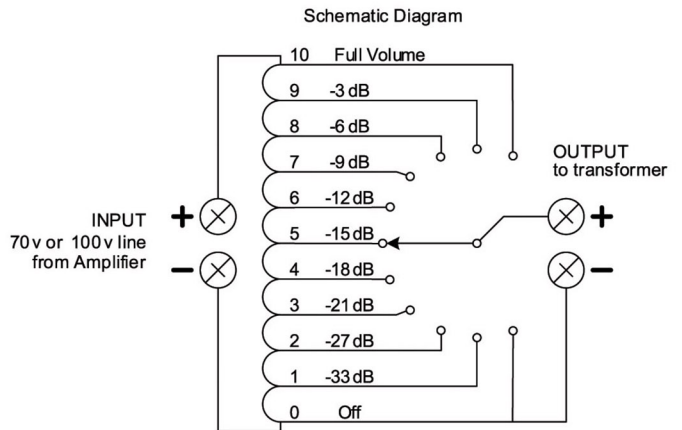
OPTIONS

P1X-2: Two-gang surface-mount steel wall box with knockouts and white powder epoxy finish. Includes U-clips.

DRAWINGS



Note: Units manufactured before May 2014 had terminals located at the top. When connecting either version be sure to observe INPUT/OUTPUT and polarity designations.



OVERVIEW: MONO ATTENUATORS

Model No.	Power Rating	Attenuation Steps*	VC Type	Priority Relay	Mount Type**	Plate Size	Color	Switch	Listing	For Use With
10LVC	10 W	3 dB	autoformer	---	standard wall plate	1-gang	ss	knob	----	25V/70V/100V speaker line
25LVC	25 W	3 dB	autoformer	---	standard wall plate	1-gang	ss	knob	ETL	25V/70V/100V speaker line
25LVC-SA	25 W	3 dB	autoformer	---	standard wall plate	1-gang	almond	knob	ETL	25V/70V/100V speaker line
25LVC-SW	25 W	3 dB	autoformer	---	standard wall plate	1-gang	white	knob	ETL	25V/70V/100V speaker line
25LVC-DA	25 W	3 dB	autoformer	---	decorator wall plate	1-gang	almond	knob	ETL	25V/70V/100V speaker line
25LVC-DB	25 W	3 dB	autoformer	---	decorator wall plate	1-gang	black	knob	ETL	25V/70V/100V speaker line
25LVC-DW	25 W	3 dB	autoformer	---	decorator wall plate	1-gang	white	knob	ETL	25V/70V/100V speaker line
25LVC-DSB	25 W	3 dB	autoformer	---	decorator wall plate	1-gang	ss / black	knob	ETL	25V/70V/100V speaker line
25LVC-DSW	25 W	3 dB	autoformer	---	decorator wall plate	1-gang	ss / white	knob	ETL	25V/70V/100V speaker line
25LVC-RM	25 W	3 dB	autoformer	---	adhesive label	---	black	knob	ETL	25V/70V/100V speaker line
50LVC	50 W	3 dB	autoformer	---	standard wall plate	1-gang	ss	knob	ETL	25V/70V/100V speaker line
50LVC-SA	50 W	3 dB	autoformer	---	standard wall plate	1-gang	almond	knob	ETL	25V/70V/100V speaker line
50LVC-SW	50 W	3 dB	autoformer	---	standard wall plate	1-gang	white	knob	ETL	25V/70V/100V speaker line
50LVC-DA	50 W	3 dB	autoformer	---	decorator wall plate	1-gang	almond	knob	ETL	25V/70V/100V speaker line
50LVC-DB	50 W	3 dB	autoformer	---	decorator wall plate	1-gang	black	knob	ETL	25V/70V/100V speaker line
50LVC-DW	50 W	3 dB	autoformer	---	decorator wall plate	1-gang	white	knob	ETL	25V/70V/100V speaker line
50LVC-RM	50 W	3 dB	autoformer	---	adhesive label	---	black	knob	ETL	25V/70V/100V speaker line
100LVC	100 W	3 dB	autoformer	---	standard wall plate	1-gang	ss	knob	ETL	25V/70V/100V speaker line
100LVC-SA	100 W	3 dB	autoformer	---	standard wall plate	1-gang	almond	knob	ETL	25V/70V/100V speaker line
100LVC-SW	100 W	3 dB	autoformer	---	standard wall plate	1-gang	white	knob	ETL	25V/70V/100V speaker line
100LVC-DA	100 W	3 dB	autoformer	---	decorator wall plate	1-gang	almond	knob	ETL	25V/70V/100V speaker line
100LVC-DB	100 W	3 dB	autoformer	---	decorator wall plate	1-gang	black	knob	ETL	25V/70V/100V speaker line
100LVC-DW	100 W	3 dB	autoformer	---	decorator wall plate	1-gang	white	knob	ETL	25V/70V/100V speaker line
100LVC-DSB	100 W	3 dB	autoformer	---	decorator wall plate	1-gang	ss / black	knob	ETL	25V/70V/100V speaker line
100LVC-DSW	100 W	3 dB	autoformer	---	decorator wall plate	1-gang	ss / white	knob	ETL	25V/70V/100V speaker line
100LVC-RM	100 W	3 dB	autoformer	---	adhesive label	---	black	knob	ETL	25V/70V/100V speaker line
10015LVC	100 W	1.5 dB	autoformer	---	standard wall plate	1-gang	ss	knob	ETL	25V/70V/100V speaker line
10015LVC-SW	100 W	1.5 dB	autoformer	---	standard wall plate	1-gang	white	knob	ETL	25V/70V/100V speaker line
10015LVC-DB	100 W	1.5 dB	autoformer	---	decorator wall plate	1-gang	black	knob	ETL	25V/70V/100V speaker line
10015LVC-DW	100 W	1.5 dB	autoformer	---	decorator wall plate	1-gang	white	knob	ETL	25V/70V/100V speaker line
10015LVC-RM	100 W	1.5 dB	autoformer	---	adhesive label	---	black	knob	ETL	25V/70V/100V speaker line
100LVC-PA	100 W	3 dB	autoformer	yes	standard wall plate	1-gang	ss	knob	ETL	25V/70V/100V speaker line
100LVC-PA-SW	100 W	3 dB	autoformer	yes	standard wall plate	1-gang	white	knob	ETL	25V/70V/100V speaker line
100LVC-PA-DA	100 W	3 dB	autoformer	yes	decorator wall plate	1-gang	almond	knob	ETL	25V/70V/100V speaker line
100LVC-PA-DB	100 W	3 dB	autoformer	yes	decorator wall plate	1-gang	black	knob	ETL	25V/70V/100V speaker line
100LVC-PA-DW	100 W	3 dB	autoformer	yes	decorator wall plate	1-gang	white	knob	ETL	25V/70V/100V speaker line
100LVC-PA-RM	100 W	3 dB	autoformer	yes	adhesive label	---	black	knob	ETL	25V/70V/100V speaker line
KL100-DB	100 W	3 dB	autoformer	---	decorator wall plate	1-gang	black	key	ETL	25V/70V/100V speaker line
KL100-DI	100 W	3 dB	autoformer	---	decorator wall plate	1-gang	ivory	key	ETL	25V/70V/100V speaker line
KL100-DW	100 W	3 dB	autoformer	---	decorator wall plate	1-gang	white	key	ETL	25V/70V/100V speaker line
KL100-DSB	100 W	3 dB	autoformer	---	decorator wall plate	1-gang	ss / black	key	ETL	25V/70V/100V speaker line
KL100-DSW	100 W	3 dB	autoformer	---	decorator wall plate	1-gang	ss / white	key	ETL	25V/70V/100V speaker line
200LVC	200 W	3 dB	autoformer	---	standard wall plate	2-gang	ss	knob	ETL	70V/100V speaker line
200LVC-DSB	200 W	3 dB	autoformer	---	decorator wall plate	2-gang	ss / black	knob	ETL	70V/100V speaker line
200LVC-RM	200 W	3 dB	autoformer	---	adhesive label	---	black	knob	ETL	70V/100V speaker line
200LVC-RMDB	200 W	3 dB	autoformer	---	subplate	---	black	knob	ETL	70V/100V speaker line
KL100-PA-DSB	100 W	3 dB	autoformer	yes	decorator wall plate	1-gang	ss / black	key	ETL	70V/100V speaker line
KL100-PA-DSW	100 W	3 dB	autoformer	yes	decorator wall plate	1-gang	ss / white	key	ETL	70V/100V speaker line
KL200-DSB	200W	3 dB	autoformer	---	decorator wall plate	2-gang	ss / black	key	ETL	70V/100V speaker line
SVC100-PA-DW	100W	3 dB	autoformer	yes	decorator wall plate	1-gang	white	slide-bar	ETL	70V/100V speaker line

THIS SPEC

* Note: Models with 33dB total have 2 steps of 6dB each before off.

** Adhesive labels are used in rackmount panels or custom applications.

ss = stainless steel