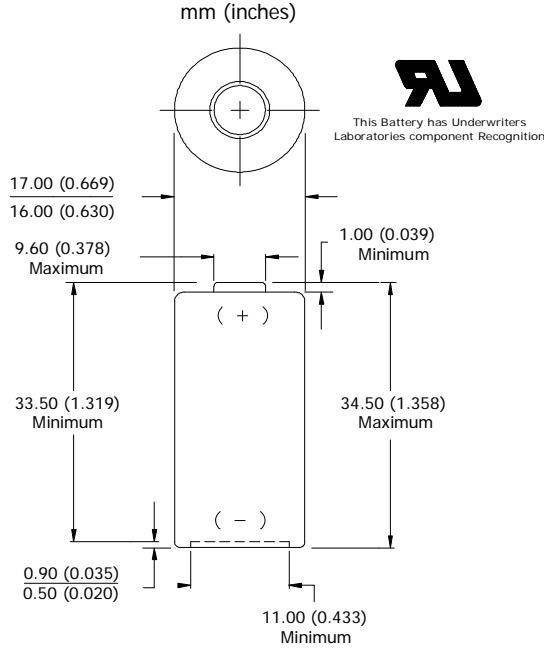


**ENERGIZER 123**

(EL123AP)



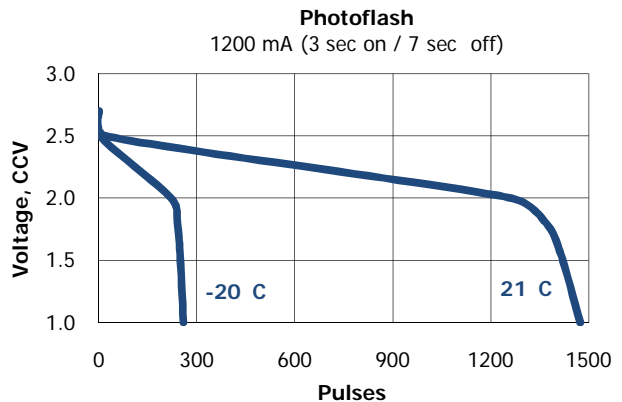
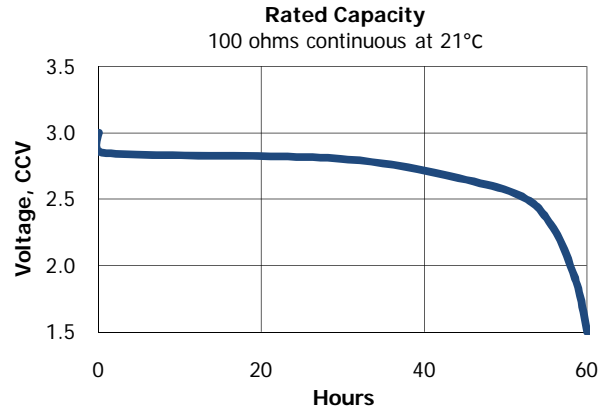
**Industry Standard Dimensions**



This battery contains a Positive Temperature Coefficient (PTC) safety device to limit current during short circuit conditions.

- Classification:** "Lithium Photo"  
**Chemical System:** Lithium / Manganese Dioxide (Li/MnO<sub>2</sub>)  
**Designation:** ANSI-5018LC, IEC-CR17345  
**Nominal Voltage:** 3.0 Volts  
**Storage Temp:** -40°C to 60°C (-40°F to 140°F)  
**Operating Temp:** -40°C to 60°C (-40°F to 140°F)  
**Typical Capacity:** 1500 mAh (to 2.0 volts)  
 (Rated at 100 ohms at 21°C)  
**Typical Weight:** 16.5 grams (0.58 oz.)  
**Typical Volume:** 7.0 cubic centimeters (0.4 cubic inch)  
**Max Discharge:** 1500 mA continuous (3500 mA pulse)  
**Max Rev Current:** 2 uA  
**Typical Li Content:** 0.55 grams (0.019 oz.)  
**UL Listed:** MH12454  
**Shipping:** For complete details, please reference:  
 Global (except US): Special Provision A45 of the International Air Transport Association Dangerous Goods Regulations  
 United States: 49 CFR 173.185

**Typical Discharge Characteristics**



**Simulated Application Tests**

Typical Use Performance

Type (time)	Drain (mA)	Load (ohms)	Cutoff Voltage		
			2.0V (21°C) (hours)	1.8V (21°C) (pulses)	1.55V (21°C) (pulses)
Capacity (continuous)	---	100	58	---	---
Photoflash (3 / 27 sec)	900	---	---	---	2000
Photoflash (3 / 7 sec)	1200	---	---	1370	---
Photoflash (3 / 7 sec)	1800	---	---	860	---

**Important Notice**

This datasheet contains typical information specific to products manufactured at the time of its publication.  
 ©Energizer Holdings, Inc. - Contents herein do not constitute a warranty.