

4MP Basic Night Color (VU-More Color) Security System

Six (6) 4MP Fixed Eyeball Network Cameras with One (1) Eight-Channel 4K Network Video Recorder

NIGHT COLOR



Wiz Sense

System Overview

The 4MP Basic Night Color (VU-More Color) Security System provides all the components to quickly install, configure, and employ a complete video security solution. The IP cameras offer the clarity of 4MP video and the NVR offers built-in motion detection algorithms, alarm triggers, and customized recording modes. The NVR also features Plug-and-Play technology to connect quickly to cameras on the same network. Each component accepts a PoE power supply to facilitate installation.

Functions

Basic Night Color (VU-MORE Color) Technology

Dahua's Basic Night Color (VU-MORE Color) cameras offer multiple features such as motion detection and Smart Dual Illumination to provide deterrence, overtness, and full-color video in low-light scenes. These cameras are designed to reduce light pollution by only turning on the white-light LEDs for full color images when human motion is detected.

Smart Dual Illumination

The camera offers both IR and white-light illuminators and intelligently employs each depending on the situation. The camera enters the IR mode as ambient light decreases. When the camera detects an object entering the monitoring area, it activates the white-light illuminator to capture full-color details. Once the object leaves the area, the camera switches back to IR illumination.

Flexible Recording

The NVR offers a variety of configurable recording options and schedules that saves disk space and active monitoring time. The NVR monitors incoming video and can be programmed to record if motion is detected or if an alarm is triggered. The NVR can also be programmed to record on a schedule or at different intervals. The recording options and schedules can be set for each individual camera or copied to all cameras.

4MP Network Cameras

- 4MP at 30 fps Maximum Resolution
- Maximum IR LED Length 30 m (98.43 ft) with Smart IR
- 2.8 mm fixed lens
- Analytics+ Features - Smart Motion Detection+, Perimeter Protection, Intelligent Search
- Basic Night Color Technology
- Smart Dual Illumination — IR and White Light
- True WDR (120 dB) and Day/Night (ICR)
- Built-in Microphone
- IP67 Ingress Protection

4K Network Video Recorder

- 2 TB Pre-installed Hard Disk Drive
- Supports Remote Configuration and Management of Network Cameras
- Smart H.265+ and Smart H.264+ Dual Codec
- Maximum 80 Mbps Recording Bandwidth
- Up to 8MP Resolution for Preview and Playback

Smart H.265+

Smart H.265+ is the optimized implementation of the H.265 codec that uses a scene-adaptive encoding strategy, dynamic GOP, dynamic ROI, flexible multi-frame reference structure and intelligent noise reduction to deliver high-quality video without straining the network. Smart H.265+ technology reduces bit rate and storage requirements by up to 70% when compared to standard H.265 video compression.

Environmental

With a temperature range of -40°C to $+60^{\circ}\text{C}$ (-40°F to $+140^{\circ}\text{F}$), the cameras are designed for extreme temperature environments. The cameras, subjected to rigorous dust and water immersion tests, are certified to the IP67 rating making them suitable for demanding outdoor applications.

The NVR features an operating temperature of -10°C to $+55^{\circ}\text{C}$ ($+14^{\circ}\text{F}$ to $+131^{\circ}\text{F}$).

Technical Specification

N42DJS2 4MP Basic Night Color (VU-MORE Color) Network Eyeball Camera

Camera

Image Sensor	1/3-in. CMOS
Effective Pixels	2560 (H) × 1440 (V)
RAM/ROM	128 MB/128 MB
Scanning System	Progressive
Electronic Shutter Speed	Auto, Manual; 1/3 s to 1/100000 s
Minimum Illumination	Color, 30 IRE: 0.008 lux at F1.6 B/W, 30 IRE: 0.0008 lux at F1.6 0 lux (Illuminator On)
S/N Ratio	> 56 dB
IR Distance	30 m (98.43 ft) (IR), 15 m (49.21 ft) (Warm Light)
IR On/Off Control	Auto, Manual
IR LEDs	One (1) IR LED, One (1) Warm Light

Lens

Lens Type	Fixed-focal			
Iris Type	Fixed			
Mount Type	M12			
Focal Length	2.8 mm			
Maximum Aperture	F1.6			
Field of View	Horizontal: 95° Vertical: 52° Diagonal: 114°			
Close Focus Distance	0.9 m (2.95 ft)			
DORI ¹ Distance	Detect	Observe	Recognize	Identify
	63.6 m (208.66 ft)	25.4 m (83.33 ft)	12.7 m (41.67 ft)	6.4 m (20.99 ft)

Pan/Tilt/Rotation

Range	Pan: 0° to 360° Tilt: 0° to 78° Rotation: 0° to 360°
-------	--

Video

Compression	Smart H.265+, Smart H.264+, H.264H, H.265, H.264, H.264B, MJPEG (Sub Stream Only)	
Streaming Capability	Two (2) Streams	
Resolution	4MP (2688 × 1520), 3.6MP (2560 × 1440), 3MP (2304 × 1296), 1080p (1920 × 1080), 1.3MP (1280 × 960), 720p (1280 × 720), D1 (704 × 480), VGA (640 × 480), CIF (352 × 240)	
Frame Rate	Main Stream	2688 × 1520 at 30 fps
	Sub Stream	704 × 480 at 30 fps
Bit Rate Control	CBR/VBR	
Bit Rate	H.264: 32 kbps to 6144 kbps H.265: 12 kbps to 6144 kbps	
Day/Night	Auto (ICR), Manual	
Backlight	BLC, HLC, True WDR (120 dB)	
White Balance	Auto, Natural, Street Lamp, Outdoor, Manual, Regional Custom	
Gain Control	Auto, Gain Priority, Shutter Priority, Manual	
Noise Reduction	3DNR	
Motion Detection	Off, On (4 Zones, Rectangle)	
Region of Interest	Off, On (4 Zones)	
Image Rotation	0°, 90°, 180°, 270°	
Mirror	Off, On	
Privacy Masking	Off, On (4 Areas)	
Smart IR	Supported	

Network

Ethernet	RJ-45 (10/100 Base-T)
Protocol	IPv4, IPv6, HTTP, TCP, UDP, ARP, RTP, RTSP, RTCP, RTMP, SMTP, FTP, SFTP, DHCP, DNS, DDNS, NTP, Multicast, ICMP, IGMP
Interoperability	ONVIF (Profile S, Profile T), CGI, P2P, SDK, API
Max. User Access	6 (Total Bandwidth: 36 MB)
Edge Storage	FTP, SFTP, Micro SD Card Slot (Maximum 256 GB)
Web Viewer	Edge, Chrome, Firefox
Management Software	DSS, DMSS
Mobile Operating System	iOS, Android
Cybersecurity	Video Encryption Configuration Encryption, Digest, WSSE, Account Lockout, Security Logs, Generating and Importing X.509 Certification, HTTPS, Trusted Boot, Trusted Execution, Trusted Upgrade

Certifications

Safety	EN 62368-1
Electromagnetic Compatibility (EMC)	FCC CFR 47 Part 15 Subpart B Electromagnetic Compatibility Directive 2014/30/EU

Certifications

Built-in Microphone	Yes
Audio Compression	G.711a, G.711Mu, PCM, G.726

Electrical

Power Supply	12 VDC or PoE (802.3af)
Power Consumption	Basic: 1.9 W (12 VDC), 2.4 W (PoE); Maximum: 5.2 W (12 VDC), 5.9 W (PoE) (H.265 + Intelligence + WDR + Warm Light)

Environmental

Operating Conditions	-40°C to +60°C (-40°F to +140°F), Less than or equal to 95% RH
Storage Conditions	-40°C to +60°C (-40°F to +140°F)
Ingress Protection	IP67

Construction

Casing	Metal
Dimensions	100.9 mm × Φ109.9 mm (3.97 in. × Φ4.33 in.)
Net Weight	0.37 kg (0.82 lb)
Gross Weight	0.51 kg (1.12 lb)

Analytics+ Functions

Perimeter Protection	<ul style="list-style-type: none"> Detects human or vehicle violations using the following methods: Tripwire: a target crosses a defined line. Intrusion: a target enters or exits a defined perimeter. Monitors a combination of detection methods. Search and retrieve video based on target type.
Intelligent Search	Works with a Smart NVR to perform and refine intelligent searches, event extraction and merging to event videos.
Smart Motion Detection+	<ul style="list-style-type: none"> Differentiates between and classifies human and vehicle objects. Filters false alarms due to leaves, lights, animals, and other inconsequential objects. Extracts human or vehicle objects from recorded video for quick target search and retrieval.

Intelligent Video System Functions

IVS triggers an alarm and takes a defined action for the following events:	
Standard Features	<ul style="list-style-type: none"> Tampering with the camera. Error writing to an onboard Micro SD card. Error sending or receiving data over the network. Unauthorized access to the camera. IP Address Conflict

1. The DORI distance is a measure of the general proximity for a specific classification to help pinpoint the right camera for your needs. The DORI distance is calculated based on sensor specifications and lab test results according to EN 62676-4, the standard that defines the criteria for the Detect, Observe, Recognize and Identify classifications.

Technical Specification**N41C2P2 Eight-channel 4K Network Video Recorder (2 TB)**

System

Main Processor	Industrial-grade Embedded Processor
Operating System	Embedded Linux

Audio and Video

IP Camera Input	Eight (8) Channels
Audio	Input: One (1) Channel, RCA Output: One (1) Channel, RCA

Analytics+ Recording²

Perimeter Protection	Channels	Eight (8)
	Search	By Channel, Time, and Event Type
Smart Motion Detection+	Channels	Eight (8)
	Search	By Target Classification (Human or Vehicle)

Display

Interface	One (1) HDMI One (1) VGA
Native Output Resolution	3840 x 2160, 1920 x 1080, 1280 x 1024, 1280 x 720
Maximum Decoding	Two (2) Channel of 8 MP at 30 fps Four (4) Channels of 4 MP at 30 fps Eight (8) Channels of 2 MP at 30 fps
Multi-screen Display	1/4/8/9
On-screen Display	Camera Title, Time, Video Loss, Camera Lock, Motion Detection, Recording

Recording

Video Compression	Smart H.265+, H.265, Smart H.264+, H.264, MJPEG
Audio Compression	PCM, G.711A, G.711Mu, G.726
Supported IP Camera Resolution	8MP, 6MP, 5MP, 4MP, 3MP, 1080p, 720p, D1
Maximum Recording Bandwidth	80 Mbps
Record Mode	Manual Recording; Alarm Recording; SMD Recording; Smart Recording

Video Detection and Alarm

General Alarms	Motion Detection, Privacy Masking, Video Loss, Scene Changing, PIR Alarm, IPC External Alarm
Anomaly Alarms	Camera Disconnection, Storage Error, Disk Full, IP Conflict, MAC Conflict, Login Locked, Cybersecurity Exception
Analytics+ Alarms	Face Detection, Perimeter Protection (Intrusion and Tripwire), IVS, People Counting, Heat Map, SMD Alarms
Alarm Actions	Recording, Snapshot, Audio, Buzzer, Log, Preset, Email

Playback and Backup

Sync Playback	1/4/8
Search Mode	Time/Date, Alarm, MD and Exact Search (Accurate to One (1) Second), Smart Search
Playback Function	Play, Pause, Stop, Rewind, Fast Play, Slow Play, Reverse, By Frame, Full Screen, Backup Selection (Video Clip or File), Partial Zoom, Audio On/Off
Backup Mode	USB Device, Network

Third-party Support

Third-party Support	Dahua, Arecont Vision, AXIS, Bosch, Brickcom, Canon, CP Plus, Dynacolor, Honeywell, Panasonic, Pelco, Samsung, Sanyo, Sony, Videotec, Vivotek, and Others
---------------------	---

Network

Ethernet	One (1) RJ-45 Port (10/100/1000 Mbps), Self-adaptive
PoE	Eight (8) Ports (IEEE802.3af/at)
Network Function	HTTP; HTTPS; TCP/IP; IPv4/IPv6; UPnP; SNMP; RTSP; UDP; SMTP; NTP; DHCP; DNS; IP Filter; DDNS; FTP; Alarm Server; IP Search (Support Dahua IP Camera; DVR; NVS); P2P; Auto-register
Maximum User Access	128
Mobile Operating System	iOS, Android
Browser	Chrome; IE 9 or later
Interoperability	ONVIF Profiles (S,T,G); CGI; SDK

Storage

Internal HDD	One (1) SATA III Port, Up to 10 TB capacity per HDD
HDD Mode	Single

Auxiliary Interface

USB	Two (2) USB 2.0 Ports (Rear Panel)
-----	------------------------------------

Electrical

Power Supply	53 VDC, 1.36 A
NVR Power Consumption	< 10 W, without HDD
Total PoE Budget	25.5 W single port, 36 W total

Environmental

Operating Conditions	-10° C to 55° C (14° F to 131° F), 10% to 93% RH
Storage Conditions	0° C to 40° C (32° F to 104° F), 30% to 85% RH

Construction

Dimensions (W x L x H)	270.0 mm x 206.50 mm x 47.50 mm (10.63 in. x 8.12 in. x 1.80 in.)
Net Weight	0.70 kg (1.54 lb), without HDD
Gross Weight	1.80 kg (3.97 lb), without HDD

Certifications

Safety	EN 62368-1 UL 62368-1 CAN/CSA C22.2 No.62368-1-14
Electromagnetic Compatibility (EMC)	CFR 47 FCC Part 15 Subpart B EN55032, EN55024, EN55035, EN61000-3-2, EN61000-3-3, EN50130-4

2. The recorder Analytics+ functions are available only when connected to a Dahua network camera with Analytics+ functionality.

Ordering Information

Type	Part Number	Description
Security System	N484E62C	<ul style="list-style-type: none"> 6 x N42DJS2 4MP Fixed Eyeball Network Camera 1 x N41C2P2 8-channel 4K Network Video Recorder with 2 TB HDD (Smart 1U Casing, 8 PoE Ports)
Accessories (Optional)	PFA106	Mount Adapter
	PFA130-E	Waterproof Junction Box
	PFA151	Corner Mount
	PFA152-E	Pole Mount
	PFB220C	Ceiling Mount
	PFB305W	Wall Mount
	DH-PFB205W-E	Wall Mount Bracket
	DH-PFA220G	Gang Box Adapter
	DH-PFM321D-US	12 VDC, 1 A Power Adapter
	DHI-TF-P100 Series	Micro SDXC Cards
	DH-PFM920I-5EU-U	305 m (1000 ft) CAT5e UJTP Cable
	DH-PFM900-E	Integrated Mount Tester
PFH101	Rack Mount Tray	

Ordering Information

Type	Material
Network Cameras	Printed Manual Printed Regulatory Guide Plastic Wall Anchors with Screws (x3) Mounting Template Waterproof Ethernet Connector
NVR	Quick Network Guide Printed Manual Printed Regulatory Guide Mouse Power Adapter with Power Cord Ethernet Cable, RJ-45 Rubber Feet (x4)

Accessories

Optional:



PFA106
Mount Adapter



PFA130-E
Waterproof Junction Box



PFA151
Corner Mount



PFA152-E
Pole Mount



PFB220C
Ceiling Mount



PFB305W
Wall Mount



DH-PFB205W-E
Wall Mount Bracket



DH-PFA220G
Gang Box Adapter



DH-PFM321D-US
12 VDC, 1 A Power Adapter



DHI-TF-P100 Series
Micro SDXC Cards



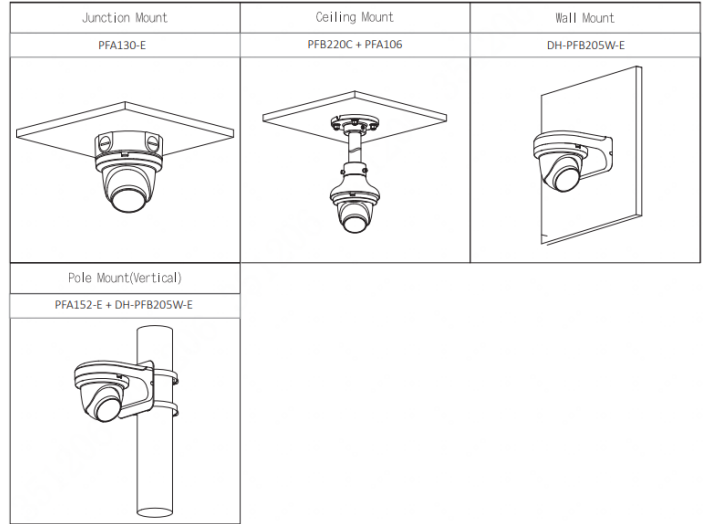
DH-PFM920I-5EU-U
305 m (1000 ft) CAT5e
UJTP Cable



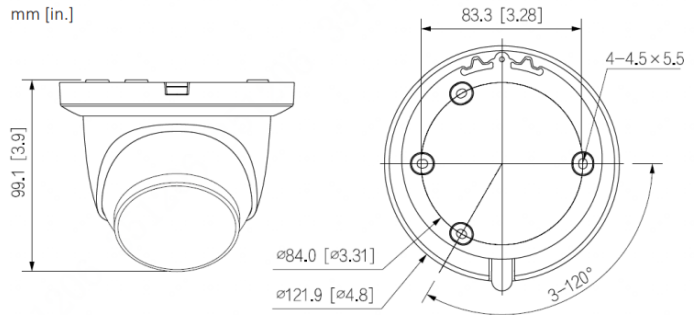
DH-PFM900-E
Integrated Mount Tester



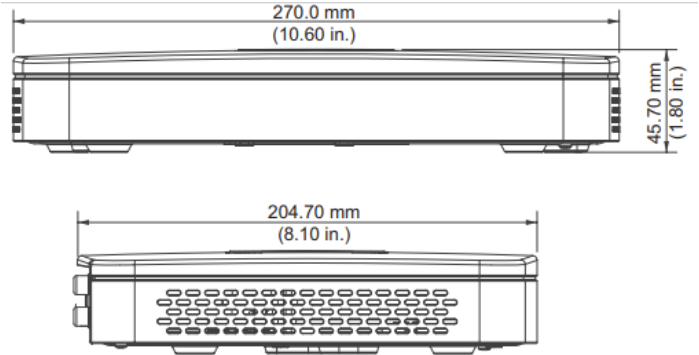
PFH101
Rack Mount Tray



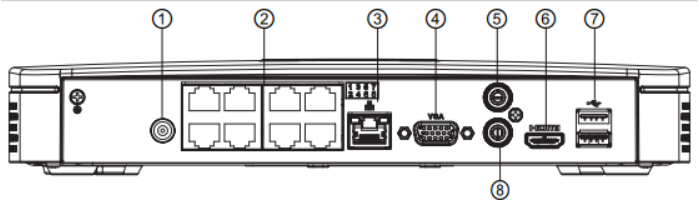
Dimensions - N42DJS2



Dimensions - N41C2P2



Rear Panel - N41C2P2



1	Power Input	5	Audio Out, RCA
2	PoE Ports, RJ-45 (x8)	6	HDMI Output
3	Network Port, RJ-45	7	USB 2.0 Ports (x2)
4	VGA Output	8	MIC In, RCA