



E118sw 18-inch Passive Subwoofer

KEY FEATURES

- High output, professional quality sound with 800 W continuous power
- E Series Entertainment System – Advanced digital signal processing tunings and options using QSC GXD, PLD amplifiers or TouchMix digital mixers.
- Rugged tour-grade textured paint
- Foam-lined perforated steel grille
- E118sw includes loudspeaker pole
- 4-inch caster kit and transport cover
- Optional accessories: 4-inch caster kit and transport cover



E118sw

Entertainment Venue · House of Worship · Rental/Production Mobile Performers

The E118sw is a high-performance direct radiation subwoofer with a single, 800 W, 18-inch aluminum frame woofer. It's designed to produce crushing low-end for live performance with kick-drum and bass in the PA or for high-level, high-energy dance music. A threaded, M20 pole socket and speaker pole are provided for sub/satellite use with any of the E Series two-way models. For portable applications it includes attachment points for four optional casters. The subwoofer's 4-ohm impedance means that a single woofer can be optimally powered by a less expensive amplifier.

E Series Loudspeakers

The E Series is a range of passive loudspeakers offering robust construction, trusted reliability and overall sonic performance beyond expectations. Intended for sound reinforcement in entertainment applications, including live performance, DJ and dance music, karaoke and event production, E Series loudspeakers will deliver outstanding results. Building on QSC's proven "Systems" methodology, the E Series loudspeakers' performance is further enhanced when paired with QSC's GXD or PLD amplifiers or with a QSC TouchMix digital mixer, and taking advantage of the on-board DSP and factory-tuned presets. These presets support a variety of applications including live sound reinforcement (with and without subwoofers), stage monitoring, dance music and karaoke.

E Series consists of six models constructed of rugged plywood and coated in black, textured paint. Heavy-duty grilles lined with foam provide protection for the woofers and an elegant appearance. E110, E112 and E115 models are equipped with an all metal, dual-angle, 35 mm socket that allows the loudspeaker to be mounted vertically on a pole or angled down by 10° to improve audience coverage and reduce rear wall reflections. Multiple mounting options using E Series Yoke or eyebolts are supported. Input connections include dual NL4 as well as screw terminal receptacles. Additionally, E215 and E218sw models feature ergonomic, aluminum handles to ease portability.

E118sw Specifications

E118sw	
Configuration	1 x 18-inch subwoofer, passive
Frequency Response (-6 dB)	32 Hz to 230 Hz
Frequency Range (-10 dB)	37 Hz to 230 Hz
Power Capacity ¹ : Continuous/Peak	800 W / 3200 W
Sensitivity	98 dB, 1 W @ 1 m
Coverage Angle	N/A
Output ² (Peak SPL @ 1m)	133 dB
Drivers	
LF	460 mm / 18-inch driver with 102 mm / 4-inch voice coil
HF	N/A
Nominal Impedance	4 Ω
Cross-over	Recommended 80-120 Hz LPF
Input Connectors	2 x NL4, 1 x barrier strip
Enclosure	Rectangular, plywood, black texture paint finish. Four side-mounted handles. Rear panels provision for optional 4-inch casters. Perforated, powder-coated steel grille with foam lining.
Mounting and Suspension:	M20 threaded pole-mount socket 24 in (610 mm) pole included
Dimensions (WxHxD)	590 x 616 x 605 mm 23.2 x 24.2 x 23.8 in
Net Weight	43 kg / 95 lb
Shipping Weight	48 kg / 106 lb

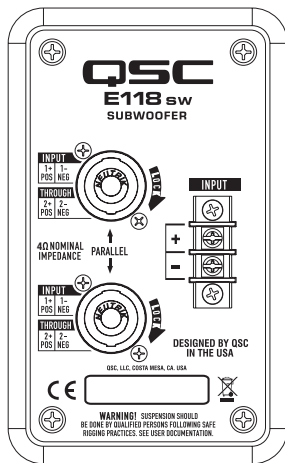
¹ Power that the device can withstand for two hours without permanent change in acoustical, mechanical, or electrical characteristics, greater than 10%, using IEC60268 noise based on nominal impedance in the cabinet with crossover, full range 30 Hz 12 dB/octave

² With QSC Processing.

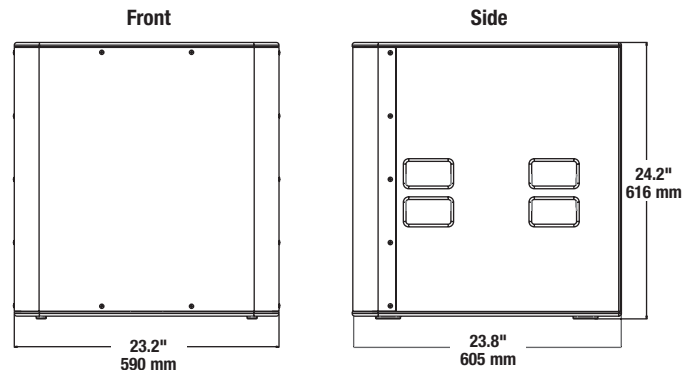
Specifications subject to change without notice.

E118sw Details

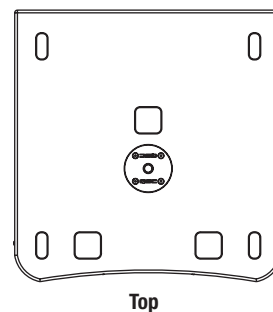
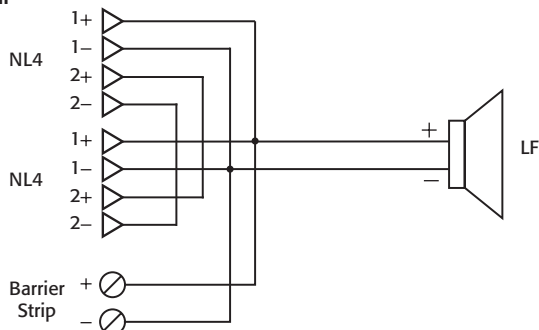
Input Plate



E118sw Dimensions



Block Diagram



1599-2023-05