

NOTES:
 1. MATERIAL OF CONSTRUCTION IS 304 SS, BRUSHED #4.



PEDESTALPRO.COM
 1-800-660-3072

UNLESS OTHERWISE SPECIFIED:

DIMENSIONS ARE IN INCHES
 TOLERANCES:
 FRACTIONAL $\pm 1/32$
 ANGULAR: $\pm 2^\circ$
 TWO PLACE DECIMAL ± 0.010
 THREE PLACE DECIMAL ± 0.005

INTERPRET GEOMETRIC
 TOLERANCING PER:
 ASME Y14.5 -2009

NAME DATE

DRAWN

CHECKED

PROPRIETARY AND CONFIDENTIAL

THE INFORMATION CONTAINED IN THIS
 DRAWING IS THE SOLE PROPERTY OF
 PEDESTALPRO LLC. ANY REPRODUCTION
 IN PART OR AS A WHOLE WITHOUT THE
 WRITTEN PERMISSION OF PEDESTALPRO LLC
 IS PROHIBITED.

TITLE:

INSTALLATION

Friday, November 13,
 2020 4:42:24 PM

WEIGHT: 19.887

SIZE
A

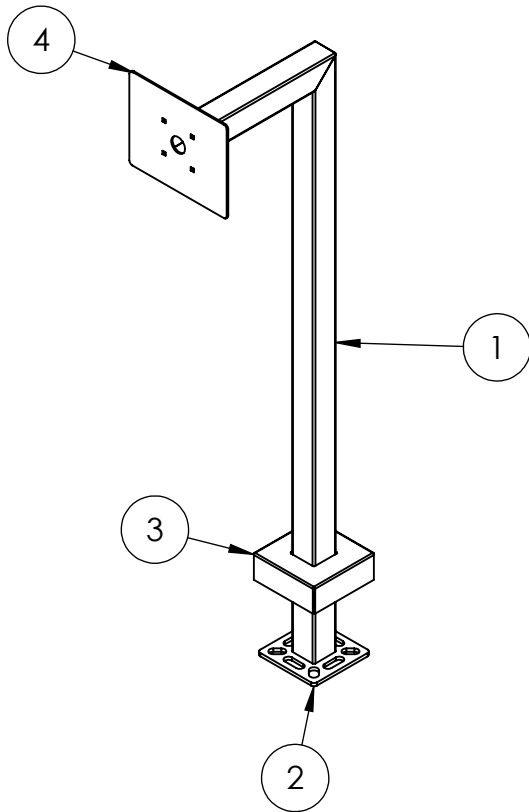
PART NO.
 22PE1-DOOR-01-304

REV
0

NO SCALE

SHEET 1 OF 4

| ITEM NO. | PART NUMBER | DESCRIPTION | QTY. |
|----------|-------------------|-----------------------------------|------|
| 1 | 22PE1-DOOR-01-304 | 2X2 WELDMENT | 1 |
| 2 | PLTBAS-5-2 | 5" STANDARD BASE PLATE | 1 |
| 3 | PLTCOV-5-2 | STANDARD COVER PLATE | 1 |
| 4 | PLTFAC-87-2 | DOORBIRD D1101KH FACE PLATE | 1 |
| 5 | -- | 1/4-20 ZINC PL HEX NUT | 4 |
| 6 | -- | 1/4-20 X .5 ZINC PL CARRIAGE BOLT | 4 |



NOTES:

1. SEE STANDARD PREPARATION AND COATING INSTRUCTIONS FOR COATING PROCEDURE AND COLOR.
2. SEE STANDARD PACKAGING INSTRUCTIONS FOR PACKAGING PROCEDURE.

UNLESS OTHERWISE SPECIFIED:

DIMENSIONS ARE IN INCHES
TOLERANCES:
FRACTIONAL $\pm 1/32$
ANGULAR: $\pm 2^\circ$
TWO PLACE DECIMAL ± 0.010
THREE PLACE DECIMAL ± 0.005

INTERPRET GEOMETRIC
TOLERANCING PER:
ASME Y14.5 -2009

NAME DATE

DRAWN

CHECKED

PROPRIETARY AND CONFIDENTIAL

THE INFORMATION CONTAINED IN THIS
DRAWING IS THE SOLE PROPERTY OF
PEDESTALPRO LLC. ANY REPRODUCTION
IN PART OR AS A WHOLE WITHOUT THE
WRITTEN PERMISSION OF PEDESTALPRO LLC
IS PROHIBITED.

TITLE:

ASSEMBLY

Friday, November 13,
2020 4:42:24 PM

WEIGHT: 19.887

SIZE
A

PART NO.
22PE1-DOOR-01-304

REV
0

NO SCALE

SHEET 2 OF 4

PEDESTALPRO.COM
1-800-660-3072