

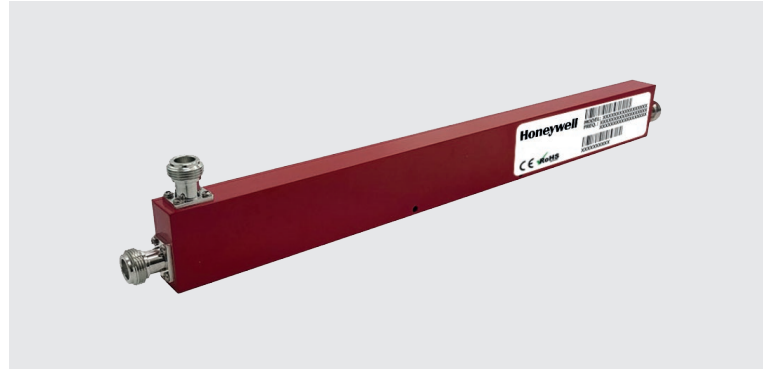
HIGH POWER DIRECTIONAL COUPLER

136 - 870 MHz

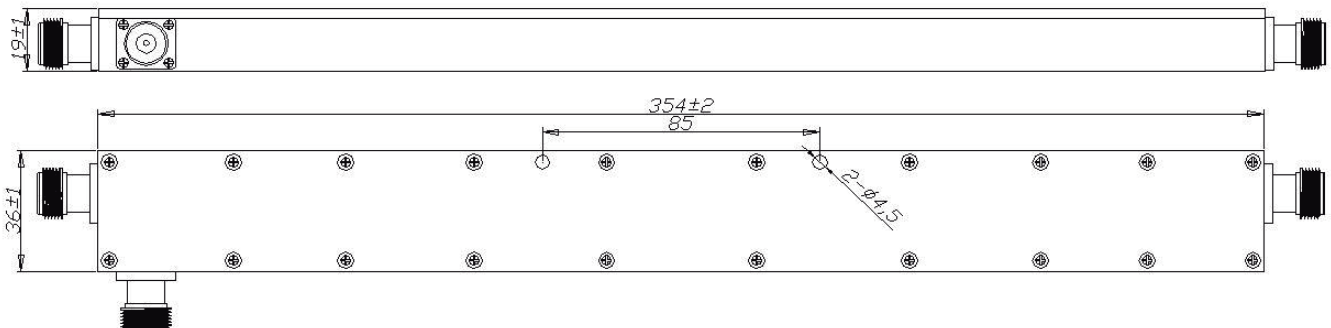
BDA-DCxx-L2

Product Applications

- Guaranteed PIM Compliance
- Wide Frequency Band Covering 136-870MHz
- Low Insertion Loss
- Low VSWR
- Indoor Using
- Available with Type N, 7/16DIN or 4.3/10 male Connectors



Specification	Value					
	DC6-L2	DC8-L2	DC10-L2	DC15-L2	DC20-L2	DC30-L2
Product Number	DC6-L2	DC8-L2	DC10-L2	DC15-L2	DC20-L2	DC30-L2
Coupling(dB)	6	8	10	15	20	30
Accuracy(dB)	±1.5	±1.8	±2.0	±2.0	±2.0	±2.5
Insertion Loss(dB)	≤1.75	≤1.35	≤0.90	≤0.70	≤0.50	≤0.30
Isolation	≥21	≥23	≥25	≥28	≥30	≥43
Freq	136-870 MHz					
VSWR	≤1.30					
Power Rating	200W (average Per Port) - 1000W (peak)					
Impedance	50 ohm					
Connector	N-female					
Color	Red-plated					
Operating Temperature	-25°C to +75°C					
Weight	1.05 kg					
MTBF	>1,000,000 hours					



DOC HON-62074.02 - 10/202020 - DMC

Honeywell Business Solutions
 715 Peachtree Street NE
 Atlanta, GA 30308
www.honeywell.com

HON-62074.02 • 10/202020
 ©2020 by Honeywell International Inc. All rights reserved.
 Unauthorized use of this document is strictly prohibited.
 This document is not intended to be used for installation purposes. We try to keep our product information up-to-date and accurate. We cannot cover all specific applications or anticipate all requirements. All specifications are subject to change without notice.
 Country of origin: U.S.A.

**THE
 FUTURE
 IS
 WHAT
 WE
 MAKE IT**

Honeywell