

# ConteralP® MicroDome® Duo LX Megapixel Camera

4, 10, or 16 Megapixel (MP) H.265/H.264 All-in-One Remote Setup Omni-Directional User-Configurable Multi-Sensor True Day/Night Indoor/Outdoor Dome IP Cameras with SNAPstream+™ (Smart Noise Adaptation and Processing), WDR (Wide Dynamic Range), and NightView™ Models

H.265



The ConteralP MicroDome Duo LX features twin multi-megapixel cameras in a compact housing, and is ideal for a variety of professional indoor/outdoor surveillance requirements. Applications include coverage of a hallway or walkway, monitoring POS terminals or ATMs, or for viewing of a single wide area or two distinct regions.

ConteralP MicroDome Duo LX is available with a choice of 4-, 10-, or 16-megapixel (MP) resolutions. These cameras provide an all-in-one solution for capturing wide area video surveillance while maximizing the field-of-view and reducing the total number of cameras required saving installers time and end users money.

The ConteralP MicroDome Duo LX is ideal for applications with challenging lighting conditions regardless the time of day, supported by dual day/night mechanical IR cut filters. For clear color images in low-light, NightView offers strong low-light sensitivity for capturing details in extremely poor-lit scenes. Power can be supplied via a single PoE (IEEE 802.3af) compliant network cable or via an 12–48V DC/24V AC power supply.

The installer-friendly ConteralP MicroDome Duo LX enclosure shortens the installation process. ConteralP MicroDome Duo LX is designed for demanding environments. Certified to rigorous dust and water tests, the camera carries an IP66 rating. The rugged dome housing is IK-10 rated to withstand the equivalent of 55 kg (120 lbs) of force for vandal-prone applications.

AV Costar™ was the first to bring H.264 to the mainstream market and recently developed SNAPstream™ (Smart Noise Adaptation and Processing) technology for reducing bandwidth without impacting image quality. Today we are proud to offer our next generation H.265 with SNAPstream+ smart codec capable of delivering high quality video while saving over 50% of the data rate to reduce or prevent strain on the network.

The ConteralP MicroDome Duo LX is ONVIF (Open Network Video Interface Forum) Profile S, G, and T conformant, providing interoperability between network video products regardless of manufacturer.

Interchangeable Lenses with Remote Focus Module

SNAPstream+ Technology

Hallway Capable

Wide Dynamic Range

True Day/Night with IR Cut Filter

NightView™

Ultra Low Profile Design

3-Axis Gimbal

Impact / Weather Resistant IK-10 and IP66 Rated

Tri-Encoder H.265/H.264/MJPEG

## Series Features

- 4MP, 10MP, and 16MP Models
- Remote Focus
- Easily Adjustable 3-Axis Gimbal
- Multiple Lens Options in a Single Camera Housing
- SNAPstream+ Advanced Compression Algorithm Reduces Bandwidth without Impacting Image Quality
- NightView for Strong Low Light Performance
- True Day/Night Functionality with Mechanical IR Cut Filter
- On-Screen Display (OSD)
- WDR at Full Resolution: See Clearly in Shaded and Bright Light Conditions Simultaneously

- Privacy Mask, Motion Detection, Bit Rate Control, Multi-Streaming, and Multicasting
- Triple Encoder: H.265/H.264/MJPEG
- Network Protocols Include SNMP, HTTPS, IPv6, DHCP, 802.1x, and More
- All-in-One H.265/H.264 Total PoE Solution PoE and Auxiliary Power: 12V-48V DC/24V AC
- MicroSDXC Card Slot for Onboard Storage
- Ultra Discrete, Low-Profile Housing
- Outdoor Rated IP66 and IK-10 Impact-Resistant Housing
- NDAA and TAA Compliant

Camera Imaging Specifications

Model		AV4956DN		AV10956DN		AV16956DN	
<b>Image Sensor (CMOS)</b>		4MP (1080p x 2) CMOS Progressive Sensor		10MP (5MP x 2) CMOS Progressive Sensor		16MP (8MP x 2) CMOS Progressive Sensor	
<b>Optical Format</b>		1/2.8"		1/2.8"		1/2.8"	
<b>Pixel Pitch</b>		2.9µm		2.0µm		1.45µm	
<b>Minimum Illumination</b>	Color (Day Mode)	0.04 Lux		0.15 Lux		0.18 Lux	
	B/W (Night Mode)	0.004 Lux		0.015 Lux		0.018 Lux	
<b>Full FOV Resolution</b>		Total	3840 H x 1080 V	Total	5184 H x 1944 V	Total	7680 H x 2160 V
		Per Sensor	1920 H x 1080 V	Per Sensor	2592 H x 1944 V	Per Sensor	3840 H x 2160 V
<b>Dynamic Range</b>		Up to 100dB*		Up to 100dB*		Up to 100dB*	
<b>Frame Rates**</b>	At Max Resolution		30fps (4MP)	15fps (10MP)	15fps (16MP)		
	Multi-Stream	WDR Off	Up to 30fps (4MP) + 30fps (4MP) + 30fps (0.46MP)	Up to 15fps (10MP) + 10fps (10MP) + 15fps (0.61MP)	Up to 15fps (16MP) + 10fps (4MP) + 15fps (0.46MP)		
		WDR On	Up to 30fps (4MP) + 30fps (4MP) + 30fps (0.46MP)	Up to 15fps (10MP) + 10fps (10MP) + 15fps (0.61MP)	Up to 15fps (16MP) + 10fps (4MP) + 15fps (0.46MP)		
<b>Lens (x2)</b>	2.8mm Lens		2.8mm, F2.0, H-FOV = 106.7°	2.8mm, F2.0, H-FOV = 98°	2.8mm, F1.6, H-FOV = 106.7°		

Programmability

<b>Optics</b>	M12 lens and remote focus module	
<b>Low-Light Performance</b>	NightView technology	
<b>Programmable Shutter Speed</b>	Auto/manual 0.1ms ~ 500ms	
<b>Motion Detection</b>	Real-time, 1024 detection zones	
<b>Privacy Masking</b>	Unlimited	
<b>Backlight Compensation</b>	Auto	
<b>White Balance Mode</b>	Auto/manual	
<b>Gain Control</b>	Auto	
<b>Flicker Control</b>	5Hz~255Hz adjustable	
<b>Scaling (Per Sensor)</b>	<b>4MP</b>	1920x1080, 1280x960, 1280x720, 960x540, 800x600, 640x480, 640x360
	<b>10MP</b>	2592x1944, 2560x1440, 2304x1296, 2048x1536, 1920x1080, 1600x1200, 1296x972, 1280x960, 1280x720, 800x600, 640x480
	<b>16MP</b>	3840x2160, 2592x1944, 2560x1440, 2048x1536, 1920x1080, 1600x1200, 1296x972, 1280x960, 1280x720, 800x600, 640x480, 640x360
<b>Wide Dynamic Range</b>	Adjustment between WDR and LDR modes	
<b>Efficiency</b>	SNAPstream+ (Smart Noise Adaptation and Processing)	
	Bit rate and bandwidth limitation control	
<b>Miscellaneous</b>	Programmable brightness, contrast, sharpness, saturation, hue	
<b>Password</b>	16-digit ASCII character password	
<b>On-Screen Display (OSD)</b>	Time/date/camera name/custom text	

Compliance

<b>Industry Standard</b>	ONVIF Profile S, G, and T conformant
<b>Listings</b>	UL60950-1, E489591
<b>FCC Compliance</b>	47 CFR 15 Class A
<b>Environmental</b>	RoHS, REACH, WEEE
<b>Markings</b>	CE: EN55032 Class A, EN55035, EN61000-3-2, EN61000-3-3
<b>Mechanical</b>	IK-10 (EN62262), IP66 (EN60529)

Data Transmission

<b>Compression Type</b>	H.265/H.264 (MPEG-4, Part 10)/Motion JPEG
	21 levels of quality
<b>Bit Rate Control</b>	4MP/10MP Models: 128K~8000K 16MP Models: 512K~8000K
<b>Smart Codec</b>	Smart GOP/Smart ROI
<b>Network Protocols</b>	SNMP, HTTP, HTTPS, IPv6, IPv4, SSL, TCP/IP, UPnP, UDP, RTCP, RTSP, RTP, SMTP, NTP, DHCP, FTP, 802.1x, QoS, DDNS, Zero Configure
<b>Network Interface</b>	10/100/1000Mbps Ethernet, RJ45
<b>Max Camera Bandwidth</b>	18Mbps (9Mbps per sensor)
<b>Multi-Streaming</b>	2 x H.265/H.264 stream, 1 x M-JPEG stream (per sensor)
<b>Users</b>	Live Viewing/Administrator for up to 10 clients

Event Management

<b>Event Trigger</b>	Motion detection, tampering detection, alarm in
<b>Notifications</b>	Send a message via e-mail/FTP/NAS, SD Card Recording, Record JPG/MP4

Environmental

<b>Operating Temperature</b>	-40°C (-40°F) to +50°C (122°F)
<b>Humidity</b>	0% to 90% (non-condensing)
<b>Storage Temperature</b>	-40°C (-40°F) to +60°C (140°F)

Electrical

<b>Alarm Input/Output</b>	1 input (wet contact)/1 output (wet contact)
<b>Power Over Ethernet</b>	PoE IEEE 802.3af, Class 3
<b>Auxiliary Power</b>	12-48V DC, 24V AC
<b>Power Consumption</b>	10.5W max

Audio Electrical

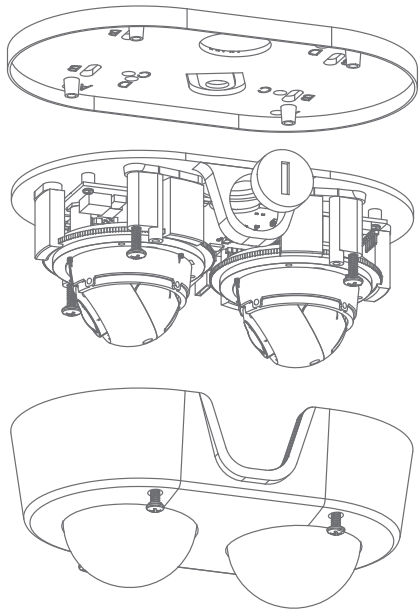
<b>Streaming</b>	Two-way
<b>Compression</b>	G.711 PCM 8 kHz
<b>Input/Output</b>	Line in**/ Line output

\* Maximum with digital WDR  
\*\* Requires Amplification

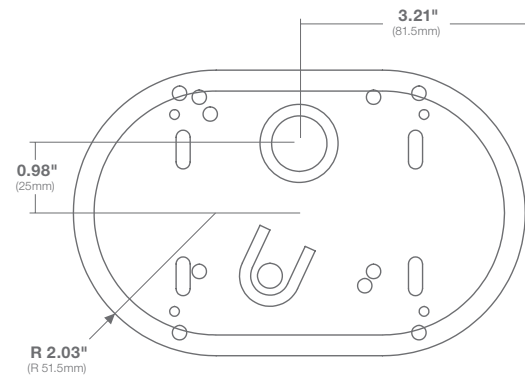
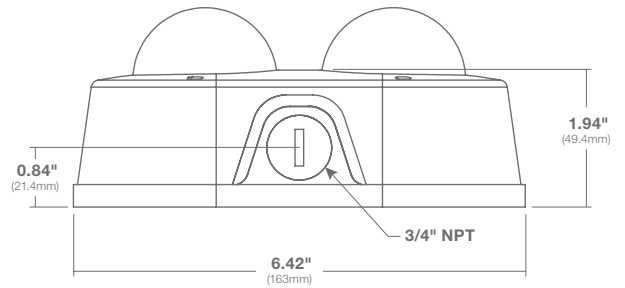
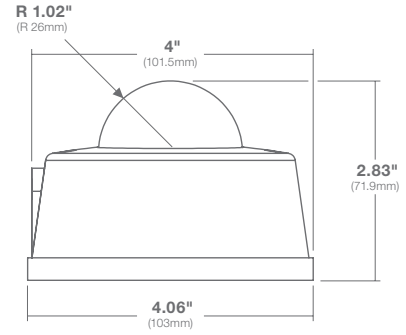
## Mechanical

<b>Casing</b>	Die-cast aluminum chassis with polycarbonate dome bubble	
	IP66 weather proof standard	
	Impact resistant, IK-10 rated	
<b>Mount</b>	Mount plate with electrical box adapter holes (included)	
<b>Gimbal</b>	Easily adjustable, 3-axis w/360° pan, 90° tilt, and 360° z-axis	
<b>Dimensions</b> <i>(See Dimensions)</i>	<b>Unit</b>	2.83" H (71.9mm) x 4.06" W (103mm) x 6.42" L (163mm)
	<b>Packaged</b>	3.74" H (95mm) x 4.72" W (120mm) x 7.09" L (180mm)
<b>Weight</b>	<b>Unit</b>	2.2lbs (1.0kg)
	<b>Packaged</b>	2.6lbs (1.2kg)
<b>On Board Storage</b>	MicroSDXC slot up to 1TB (card not included)	
<b>Body Color</b>	AV Costar White (Pantone® Cool Gray 1C)	

## Quick Installation



## Dimensions



See Next Page for Ordering Information



### Configurations



MicroDome Duo LX

### Model Numbers

<b>4MP</b>	AV4956DN-28	<b>WDR</b>
<b>10MP</b>	AV10956DN-28	<b>WDR</b>
<b>16MP</b>	AV16956DN-28	<b>WDR</b>

### Lens Options (Sold Separately)

Model	Focal Length	Horizontal Field of View		
		1080p	5MP	8MP
<b>MPM2.4</b>	2.4mm	135°	126°	135°
<b>MPM2.8C<sup>1</sup></b>	2.8mm	106.7°	98°	106.7°
<b>MPM4.0A<sup>2</sup></b>	4mm	74.7°	68.6°	74.7°
<b>MPM6.0<sup>2</sup></b>	6mm	49.8°	45.7°	49.8°
<b>MPM8.0<sup>2</sup></b>	8mm	37.3°	34.3°	37.3°
<b>MPM12.0A<sup>2</sup></b>	12mm	24.9°	22.9°	24.9°
<b>MPM16.0<sup>3</sup></b>	16mm	18.7°	17.2°	18.7°

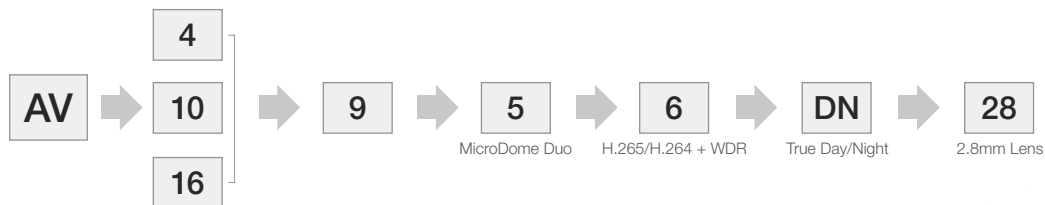
- <sup>1</sup> MPM2.8C (2.8mm) is the default lens for -28 models
- <sup>2</sup> Requires two spacers on focus module (included with lens)
- <sup>3</sup> Requires a spacer on focus module (included with lens)

### Accessories (Sold Separately)

<b>AV-1AK</b>	ConteraIP Optional Audio Kit
<b>AV-CRMA-W</b>	Corner Mount Adapter (AV Costar White)
<b>AV-JBA-W</b>	Standard Junction Box (AV Costar White)
<b>AV-PMA-W</b>	Pole Mount Adapter (AV Costar White)
<b>MDD-CMT-W</b>	Pendant Mount and Cap with 1/2" NPT Standard for ConteraIP MicroDome Duo LX (AV Costar White)
<b>MDD-WMT-W</b>	Wall Mount and Cap with 1/2" NPT Standard for ConteraIP MicroDome Duo LX (AV Costar White)
<b>MDD-FMA</b>	Flush Mount Adapter for ConteraIP MicroDome Duo LX (White)

### Create Your Model (Example: AV16956DN-28)

Megapixel Resolution      Generation      Body Type      Compression      True Day/Night      Lens



+1.818.937.0700 | [www.avcostar.com](http://www.avcostar.com) | [avsales@arecontvision.com](mailto:avsales@arecontvision.com)

© 2023 Arecont Vision Costar, LLC. All rights reserved. Arecont Vision, Contera, and ConteraIP are registered trademarks of the company. AV Costar, the AV Costar logo, NightView, SNAPstream and SNAPstream+ are business use trademarks of the company.

Rev 002.004

