

SRX900

User Manual



GENERAL INFORMATION

SRX900 Series - User Manual

Document Number: 1000365021

Version: A-EN

Distribution Date: May 10, 2022

Copyright © 2022 by HARMAN International; all rights reserved

JBL PROFESSIONAL

8500 Balboa Blvd

Northridge, CA 91329

USA

TABLE OF CONTENTS

1 - SAFETY	5
1.1 Safety Instructions	5
1.2 General Hardware Information	5
1.3 Attachment to Structures	5
1.4 Important Safety Warning	5
1.5 Are You New to Rigging?	6
1.6 Inspection and Maintenance	6
1.7 Symbols	7
1.8 Resources and Documentation	7
2 - SYSTEM COMPONENTS	8
3 - COMPATIBLE ACCESSORIES	9
4 - SOFTWARE OVERVIEW	11
4.1 Line Array Calculator 3™	11
4.2 Array Link™	11
4.3 Performance™	11
5 - SRX900 SERIES	12
6 - AMPLIFIER MODULES	13
6.1 SRX906LA and SRX910LA Rear Panel	13
6.2 SRX918S and SRX928S Rear Panel	14
7 - DSP OVERVIEW	15
8 - AC POWER	16
8.1 AC Voltage Requirements	16
8.2 Power Connectors	16
8.3 Current Draw	17
8.4 Power States	17
8.5 Power LED	17
9 - AUDIO CONNECTIVITY	18
9.1 Rear Panel Audio LEDs	18
9.2 Example: Small System Audio Wiring	19
9.3 Example: Large System Audio Wiring	19
10- NETWORKING	20
10.1 IP Addresses	20
10.2 Subnet Mask	20
10.3 Network Configuration for SRX900 Devices	20
10.4 Ethernet Ports	21

10.5 Network Topologies	21
11 - HCONTROL	23
11.1 HControl ID	23
11.2 HCID Use Cases	23
11.3 Example System HCID Addressing	23
12 - SPEAKER PRESETS	24
12.1 Line Array Modes	24
12.2 Subwoofer Presets	24
12.3 SRX906LA Preset Examples	25
12.4 SRX910LA Preset Examples	25
13 - ARRAY CALIBRATION	26
13.1 Filter 1- Array Size Compensation (ASC)	26
13.2 Filter 2 - Throw Distance Compensation (TDC)	26
13.3 Array Calibration Filter Example	27
14 - SUBWOOFERS	28
14.1 Cardioid Subwoofers	28
14.2 Recommended Cardioid Setups	28
14.3 Minimum Space Between Cardioid Stacks	29
14.4 Subwoofer Ratios	29
15 - LCD	30
15.1 Overview Screens	30
15.2 DSP	30
15.3 Network	32
15.4 HControl	33
15.5 Settings	33
15.6 Info	34
15.7 System Reset	35
15.8 Menu Overview	36
15.9 Revert Firmware	37
16 - SRX900 RC RAIN COVER	38
17 - PRODUCT SPECIFICATIONS	39
18 - REGULATORY SPECIFICATIONS	47
19 - DIMENSIONS	48
20 - CONTACT INFORMATION	50

1 - SAFETY

1.1 SAFETY INSTRUCTIONS

1. Read these instructions.
2. Keep these instructions.
3. Heed all warnings.
4. Follow all instructions.
5. Do not expose the product to direct rain or sea spray.
6. Clean only with a dry cloth.
7. Do not install near any heat sources such as radiators, heat registers, stoves, or other apparatus that produce heat.
8. Only use attachments/accessories specified by the manufacturer.
9. Use only with a cart, stand, tripod, bracket, or table specified by the manufacturer or sold with the apparatus. When a cart is used, use caution when moving the cart/apparatus combination to avoid injury from tip-over.
10. Refer all servicing to qualified service personnel. Servicing is required when the apparatus has been damaged in any way, such as if liquid has been spilled or objects have fallen into the apparatus, or if the apparatus has been exposed to rain or moisture, does not operate normally, or has been dropped.
11. Contact JBL Professional for advanced servicing issues.
12. **CAUTION - DO NOT PERFORM ANY SERVICING UNLESS YOU ARE QUALIFIED TO DO SO.**
13. Prolonged exposure to excessive SPL can cause hearing damage. The loudspeaker is easily capable of generating sound pressure levels (SPL) sufficient to cause permanent hearing damage to performers, production crew, and audience members. Caution should be taken to avoid prolonged exposure to SPL in excess of 90 dB.
14. Read the **SRX900 Series Rigging Manual** before installation and use of the product.

1.2 GENERAL HARDWARE INFORMATION

Any hardware used in an overhead suspension application must be load rated for the intended use. Generally, this type of hardware is available from rigging supply houses, industrial supply catalogs, and specialized rigging distributors. Local hardware stores do not usually stock these products. Compliant hardware will be referenced with a working load limit (WLL) and a traceability code.

1.3 ATTACHMENT TO STRUCTURES

A licensed Professional Engineer must approve the placement and method of attachment to the structure prior to the installation of any overhead object. The following performance standards should be provided to the Professional Engineer for design purposes: Uniform Building Code as applicable, Municipal Building Code as applicable, and Seismic Code as applicable. The installation of the hardware and method of attachment must be carried out in the manner specified by the Professional Engineer. Improper installation may result in damage, injury, or death.

1.4 IMPORTANT SAFETY WARNING

The information in this section has been assembled from recognized engineering data and is intended for informational purposes only. None of the information in this section should be used without first obtaining competent advice with respect to applicability to a given

circumstance. None of the information presented herein is intended as a representation or warranty on the part of JBL. Anyone making use of this information assumes all liability arising from such use.

All information presented herein is based upon materials and practices common to North America and may not directly apply to other countries because of differing material dimensions, specifications, and/or local regulations. Users in other countries should consult with appropriate engineering and regulatory authorities for specific guidelines.

Correct use of all included hardware is required for secure system suspension. Careful calculations should always be performed to ensure that all components are used within their working load limits before the array is suspended. Never exceed the maximum recommended load ratings.

Before suspending any speaker system, always inspect all components (enclosure, rigging frames, pins, eye bolts, track fittings, etc.) for cracks, deformations, corrosion, or missing/loose/damaged parts that could reduce strength and safety of the array. Do not suspend the speaker until the proper corrective action has been taken. Use only load-rated hardware when suspending JBL suspendable loudspeaker models.

1.5 ARE YOU NEW TO RIGGING?

If you are new to rigging, you should:

- Know the rules for safe rigging.
- Attend a safe rigging seminar.
- Meet and establish a relationship with a licensed mechanical or structural engineer. Get in the habit of asking them questions instead of assuming their answers. Learn from what they tell you.
- Research and understand the codes, practices, and requirements of the venues where you intend to operate your sound system.

1.6 INSPECTION AND MAINTENANCE

Suspension systems are comprised of mechanical devices and, as such, require regular inspection and routine maintenance to ensure proper functionality. Before suspending or pole mounting any speaker system, always inspect all components (enclosure, suspension frames or brackets, pins, eye bolts, etc.) for cracks, deformations, corrosion, or missing/loose/damaged parts that could reduce strength and safety of the array. Do not suspend or pole mount a speaker until the proper corrective action has been taken.

Installed systems should be inspected at least once a year. The inspection must include a visual survey of all corners and load-bearing surfaces for signs of cracking, water damage, delamination, or any other condition that may decrease the strength of the loudspeaker enclosure.

Accessory suspension hardware provided with or for SRX900 systems must be inspected for fatigue at least once a year or as required by local ordinance. The inspection must include a visual survey of the material for signs of corrosion, bending, or any other condition that may decrease the strength of the fastener. Additionally, any eyebolts must be checked for possible spin-out of the enclosure.

For all other hardware and fittings, refer to the hardware manufacturer's inspection and maintenance guidelines for process.

JBL is not responsible for the application of its products for any purpose or the misuse of this information for any purpose. Furthermore, JBL is not responsible for the abuse of its products caused by avoiding compliance with inspection and maintenance procedures or any other abuse.

Prior to suspending the system, an expert, trained and experienced in suspending speaker systems, should inspect all parts and components.

1.7 SYMBOLS

The following symbols are used in this document:



CAUTION: This symbol gives notice of a potential risk of harm to the individual or the equipment. Instructions marked with this symbol must be strictly followed.



TIP: This symbol gives notice of helpful, relevant information about the topic.



INSTRUCTIONS: This symbol gives notice of instructions that must be followed for proper installation and use of the product.



TOOLS REQUIRED: This symbol gives notice of tools that must be used for proper installation and use of the product.



TIPPING HAZARD: This symbol gives notice of potential tip hazard. Use caution when moving the cart/apparatus combination to avoid injury from tip-over.

1.8 RESOURCES AND DOCUMENTATION

Several resources are available to SRX900 Series owners to illustrate proper and safe use of the equipment. Below is an overview of what is available and a brief description of each resource:

USER MANUAL: This document focuses on the electromechanical aspects of the system, including amplification, wiring, speaker pre-sets, tuning, and optimization. User manuals do not include information regarding rigging and suspension hardware.

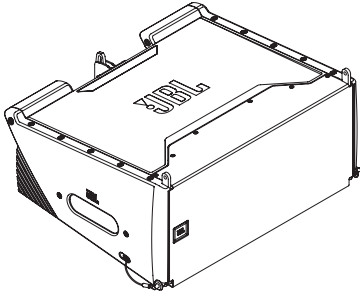
RIGGING MANUAL: This document focuses on the mechanical aspects of the system, including step-by-step rigging instructions, accessory usage, mechanical limits, and safety instructions. All users must read this document.

SPECIFICATION SHEETS: These documents include detailed specifications for loudspeakers and accessories. Specifications include acoustical performance, material types, weight, and general mechanical information. Specification sheets are available for each SKU.

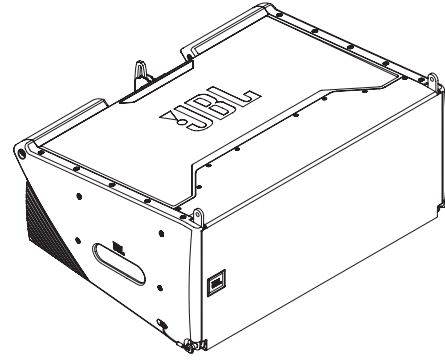
CUSTOMER DRAWINGS: This is a collection of files that include detailed drawings for each SKU. The collection consists of detailed dimensional 2D PDF/DXF documents and simplified 3D DXF models. Depending on the product, additional types of 3D files might be available for download at www.jblpro.com.

VIDEO TUTORIALS: Software and hardware video tutorials are available for watching on the JBL Professional [YouTube channel](#).

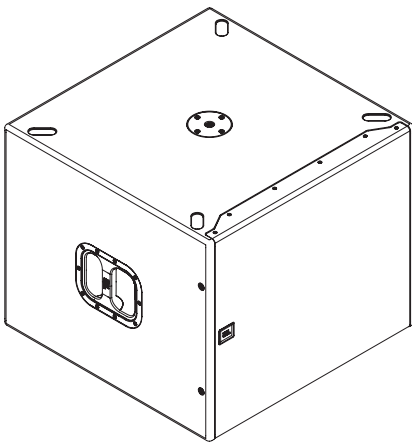
2 - SYSTEM COMPONENTS



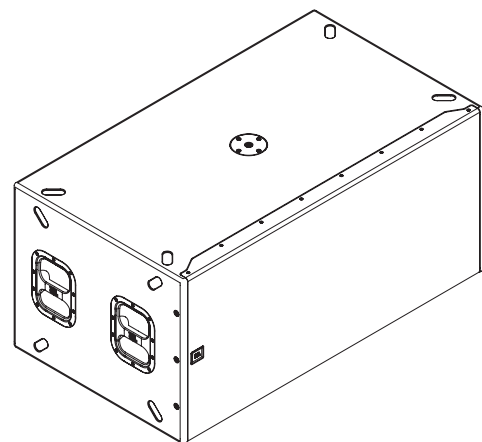
SRX906LA | Line Array Element



SRX910LA | Line Array Element



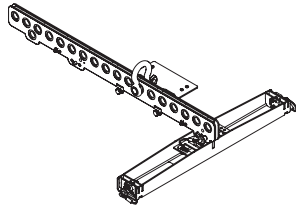
SRX918S | Subwoofer



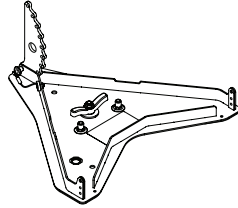
SRX928S | Subwoofer

3 - COMPATIBLE ACCESSORIES

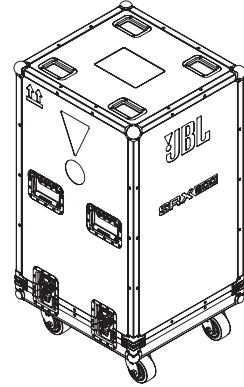
All listed accessories are compatible with SRX900 Series products. For more information on the accessories and use cases refer to the **SRX900 Series Rigging Manual** found at www.jblpro.com.



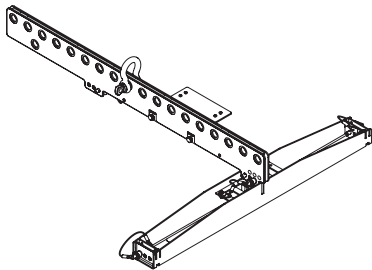
SRX906LA AF | Array Frame



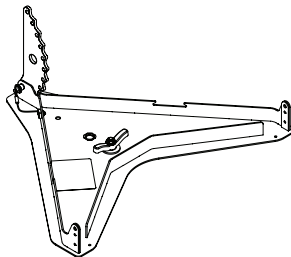
SRX906LA BP | Base Plate



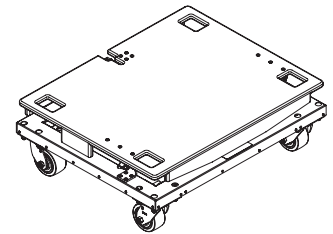
SRX906LA CASE



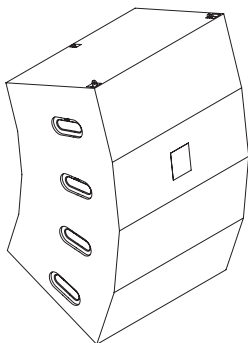
SRX910LA AF | Array Frame



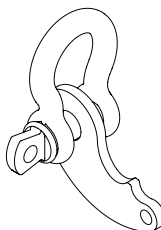
SRX910LA BP | Base Plate



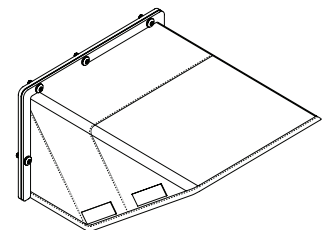
SRX910LA VT | Vertical Transporter



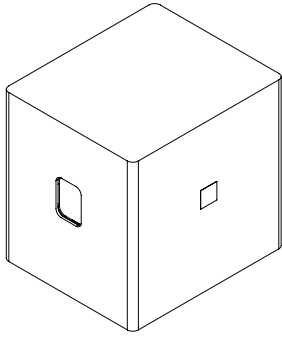
SRX910LA VT CVR | Cover



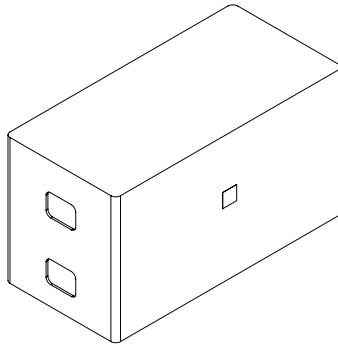
SRX900LA PB | Pull Back



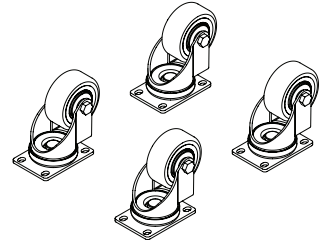
SRX900 RC1 | Rain Cover



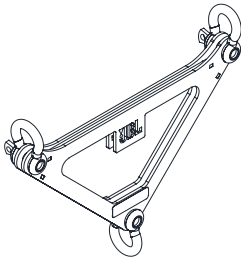
SRX918S CVR | Padded Cover



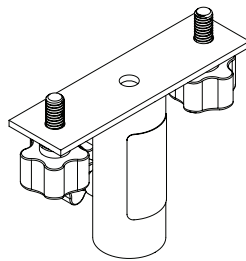
SRX928S CVR | Padded Cover



ACK1 | Accessory Caster Kit



VTX DELTA | Delta Plate



VTX PM T | Pole Mount Adapter T-Style

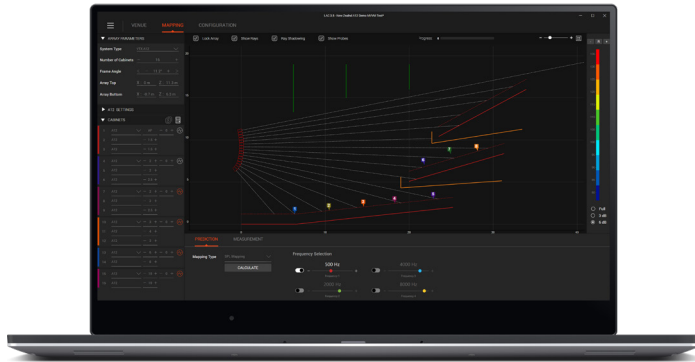


TIP: For rigging-specific instructions, refer to the **SRX900 Series Rigging Manual** found at www.JBLpro.com.



CAUTION: Always use components and accessories specified and approved by JBL Professional. When a cart is used, use caution when moving the cart to avoid injury from tip-over.

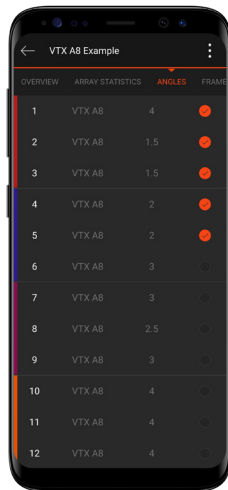
4 - SOFTWARE OVERVIEW



4.1 LINE ARRAY CALCULATOR 3™

LAC-3 is simulation software for designing and predicting the acoustical performance of JBL line array systems, such as the SRX900 Series, as well as flown and ground-stacked subwoofer arrays. Subwoofer delay values can be generated for electronic delay steering (EDS) using the built-in coverage calculator. LAC-3 also performs mechanical validation of rigging hardware, calculates weight limits, and generates safety warnings.

www.jblpro.com/lac3



4.2 ARRAY LINK™

Array Link™ is a mobile companion app that works in conjunction with LAC-3 software to assist in deployment of SRX900 systems. Array Link uses a QR code system to transfer all mechanical array information from the main LAC-3 application to a mobile phone. All relevant rigging and mechanical options are presented in an easy-to-understand layout. The application is compatible with iOS® and Android™ and can be obtained from their respective app stores.

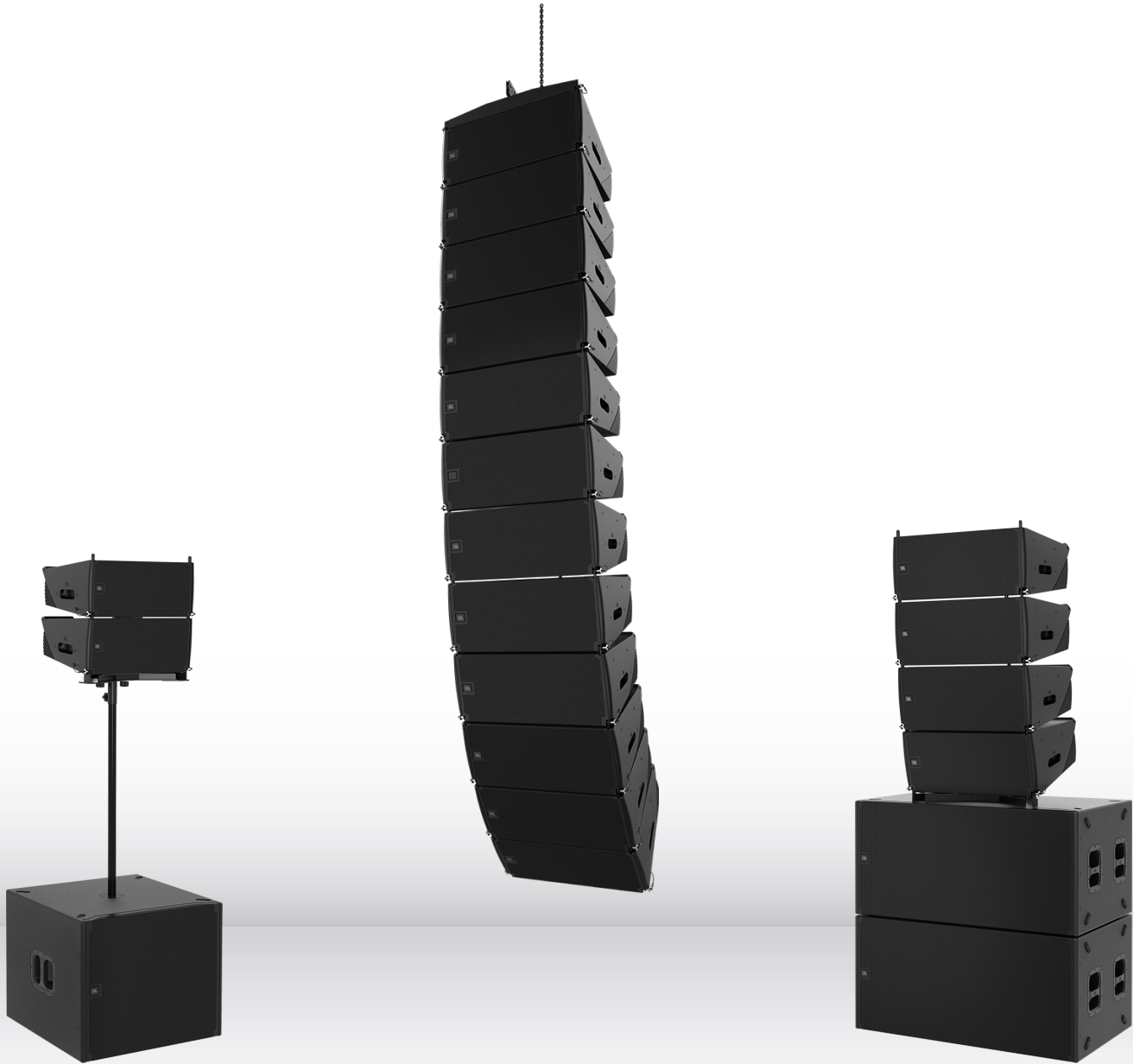


4.3 PERFORMANCE™

JBL Performance is the configuration and control application for networked SRX900 Series systems. The user interface guides the user through the complete system design, configuration, and control process with a thoughtful and visual workflow. A dedicated show mode provides all monitoring and control functions needed to deliver a complete picture of the system's performance in real time.

5 - SRX900 SERIES

Thank you for purchasing SRX900 Series products!



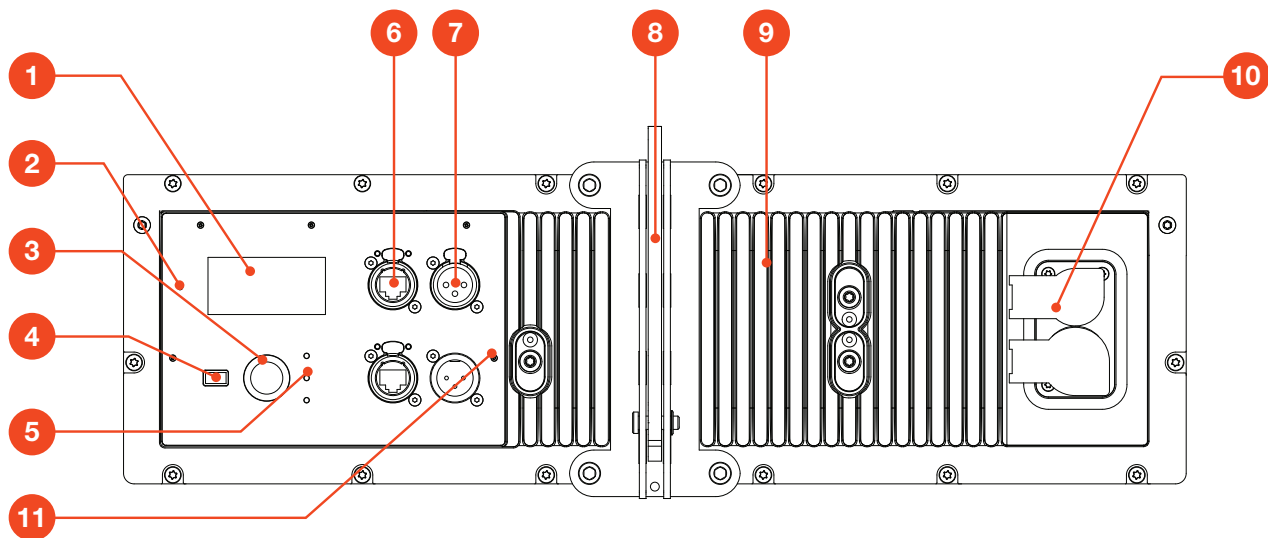
The SRX900 Series is a high performance powered loudspeaker system comprising two full-range line array elements and two subwoofers. The SRX900 Series boasts an array of premium features that make it the best system solution in its class. Drawing on JBL's long history of groundbreaking technology and innovative loudspeaker design, the SRX900 Series meets the needs of any application where high performance, comprehensive control, and legendary JBL sound are required. Each speaker was purposefully designed and thought through with full consideration for its intended use. Each accessory is carefully designed to achieve a complete and perfectly cohesive system that is both powerful, lightweight, and easy to use. All models integrate Class-D amplification, premium digital signal processing, including speaker presets compatible with our flagship touring systems. Now, local production houses and smaller to medium-sized installations can deploy a no-compromise, affordable solution configurable as ground stacked, pole mounted, or fully flyable with the SRX900's integrated three-point rigging system and suspension accessories.

6 - AMPLIFIER MODULES

SRX900 products include a Class-D amplifier with built-in DSP providing optimum performance and a plug and play, easy-to-use experience. All speaker processing is performed using the internal processing, which includes the advanced LevelMax™ limiter suite, ensuring proper, reliable operation under any conditions. The SRX900 Series DSP also offers a user-adjustable input section for equalization, time alignment, and level adjustments. An LCD screen allows easy access to critical functions, including selecting operating modes, adjusting networking parameters, and basic DSP access. Two Ethernet ports utilize Harman's HControl protocol for external control using standard off-the-shelf Ethernet and WiFi equipment.

6.1 SRX906LA AND SRX910LA REAR PANEL

The SRX906LA and SRX910LA share the same rear panel layout and features. The illustrations and descriptions below apply to both models.



1 - LCD Screen: Allows users to access speaker operating modes, DSP parameters, networking settings, and much more. Controlled with the **Encoder** and the **Back** button. Refer to **Section 15-LCD** for more information on navigation and additional details on functionality.

2 - Locate LED: Software-controlled LED for speaker identification. The speaker can be set to Locate mode via JBL Performance software or from the LCD, for bidirectional visual identification of speaker. This is especially useful during setup, when physical speakers are matched with software equivalents.

3 - Encoder: Controls the LCD menus and the master volume of the unit. Turn the knob to navigate through the menus. Press the encoder to confirm an action or enter a menu. Refer to **Section 15-LCD** for more information on using the encoder to control the LCD screen.

4 - Back Button: Used in conjunction with the encoder to control the LCD screen.

5 - Signal/Limit/Power LED: These three LEDs provide visual feedback for critical speaker parameters, including power state, signal, and limiting and fault conditions. For additional information on LED functionality refer to **Section 8.5 - Power LED** and **Section 9.1 - Rear Panel Audio LEDs**.

6 - etherCON Connectors: Allow use of standard Ethernet cable to network multiple units and control the system. An internal Ethernet switch connects the two connectors together. Either connector can be used as the input or output. For more information on the

connectors, refer to **Section 10-Networking**

7 - XLR Connectors: Input and output balanced XLR connectors for audio connectivity. The input connector passes signal directly from the input to the output, bypassing DSP for zero latency. The output connector continues to function even under power loss.

8 - Rigging Link Bar: Adjustable central rigging bar for connecting cabinets together and selecting angles. For more information refer to the **SRX900 Rigging Manual**.

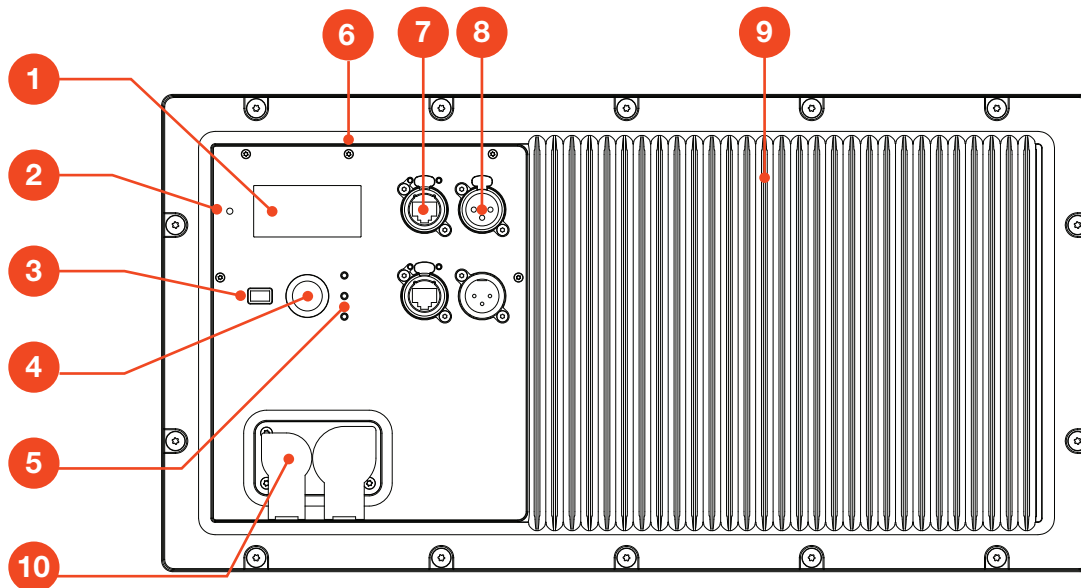
9 - Amplifier Heatsink: Aluminum fins for cooling the SRX900 internal amplifier. No external fans are used for cooling the amplifiers.

10 - Power Connectors: Neutrik powerCON TRUE1® TOP (True Outdoor Protection) connectors for power connectivity. These ruggedized sealed connectors feature an IP65 rating as well as UL 50E certification for UV resistance. The input connector is used to supply power but also serves as the mains ON/OFF switch. The output connector can be used to connect multiple units together. Refer to **Section 9-Power** for additional information on power connectivity and requirements.

10 - Mount Point for SRX900RC Rain Cover: Six M6 mounting points for attaching the SRX900 RC Rain Cover. The cover protects the screen, controls, and connectors from moisture. Refer to **Section 16 - Rain Cover** for more information.

6.2 SRX918S AND SRX928S REAR PANEL

The SRX918S and SRX928S share the same rear panel layout and features. The illustrations and description below apply to both models.



1 - LCD Screen: Allows users to access speaker operating modes, DSP parameters, networking settings, and much more. Controlled with the **Encoder** and the **Back** button. Refer to **Section 15-LCD** for more information on navigation and additional details on functionality.

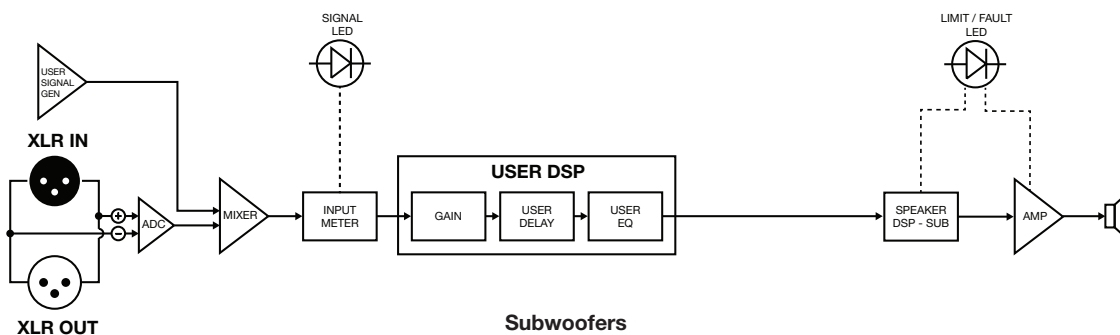
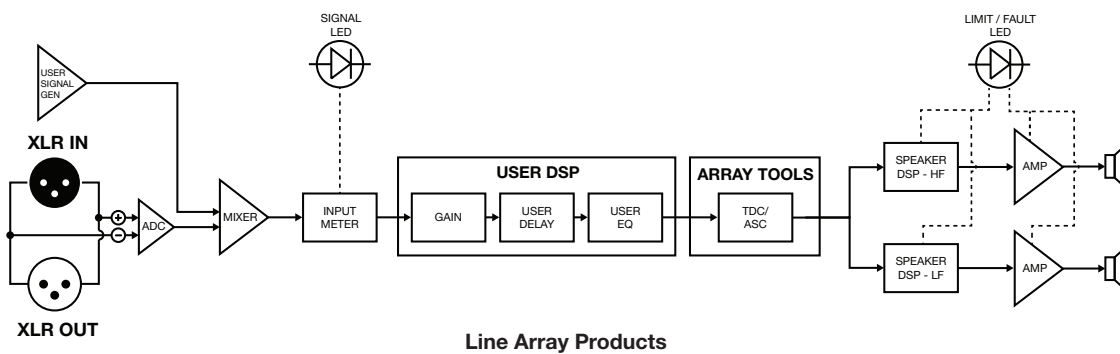
2 - Locate LED: Software-controlled LED for speaker identification. The speaker can be set to Locate mode via JBL Performance software or from the LCD, to bi-directionally visually identify the speaker. This is especially useful during setup, when physical speakers are matched with software equivalents.

3 - Encoder: Controls the LCD menus and master volume of the unit. Turn the knob to navigate through the menus. Press the encoder to confirm an action or enter a menu. Refer to **Section 15 - LCD** for more information on using the Encoder to control LCD screen.

- 4 - Back Button:** Used in conjunction with the Encoder to control the LCD Screen.
- 5 - Signal / Limit / Power LED:** These three LEDs provide visual feedback for critical speaker parameters, including power state, signal, and limiting and fault conditions. For additional information on LED functionality refer to **Section 8.5 - Power LED** and **Section 9.1 - Rear Panel Audio LEDs**.
- 6 - Mount Point for SRX900RC Rain Cover:** Six M6 mounting points for attaching the SRX900RC Rain Cover. The cover protects the screen, controls, and connectors from moisture. Refer to **Section 16 - Rain Cover** for more information.
- 7 - EtherCon Connectors:** Allows use of a standard Ethernet cable to network multiple units and control the system. An internal Ethernet switch connects the two connectors together. Either connector can be used as the input or output. For more information on the connectors refer to **Section 10-Networking**.
- 8 - XLR Connectors:** Input and output balanced XLR connectors for audio connectivity. The input connector passes signal directly from the input to the output, bypassing DSP for zero latency. The output connector continues to function even under power loss.
- 9 - Amplifier Heatsink:** Aluminum fins for cooling the SRX900 internal amplifier. No external fans are used for cooling the amplifiers.
- 10 - Power Connectors:** Neutrik powerCON TRUE1 TOP (True Outdoor Protection) connectors for power connectivity. These rugged sealed connectors feature an IP65 rating as well as UL 50E certification for UV resistance. The input connector is used to supply power, but also serves as the mains ON/OFF switch. The output connector can be used to connect multiple units together. Refer to **Section 8 - Power** for additional information on power connectivity and requirements.

7 - DSP OVERVIEW

A full suite of user-configurable DSP driven by the SRX900 Series' powerful onboard 400 MHz SHARC DSP includes 24 parametric EQs, up to two seconds of delay, signal generators, monitoring, and device presets. Additionally, the system features 48 kHz 24-bit processing, LevelMax limiting, and is compatible with JBL's Performance Audio catalog of products.



8 - AC POWER

SRX900 products feature Neutrik powerCON TRUE1 TOP (True Outdoor Protection) connectors for power connectivity. TRUE1 TOP connectors are locking 16 A (20 A for USA) mains connectors specifically designed for the demanding needs of the entertainment industry. These ruggedized sealed connectors feature an IP65 rating and provide protection from degradation caused by UV in outdoor applications certified to the UL 50E standard. Additionally, powerCON TRUE1 TOP connectors feature breaking capacity (CBC), meaning the connectors can be connected or disconnected under active load. In the case of SRX900 Series products, the powerCON connectors also serve as the mains ON/OFF switch and no additional/secondary power switch is necessary.



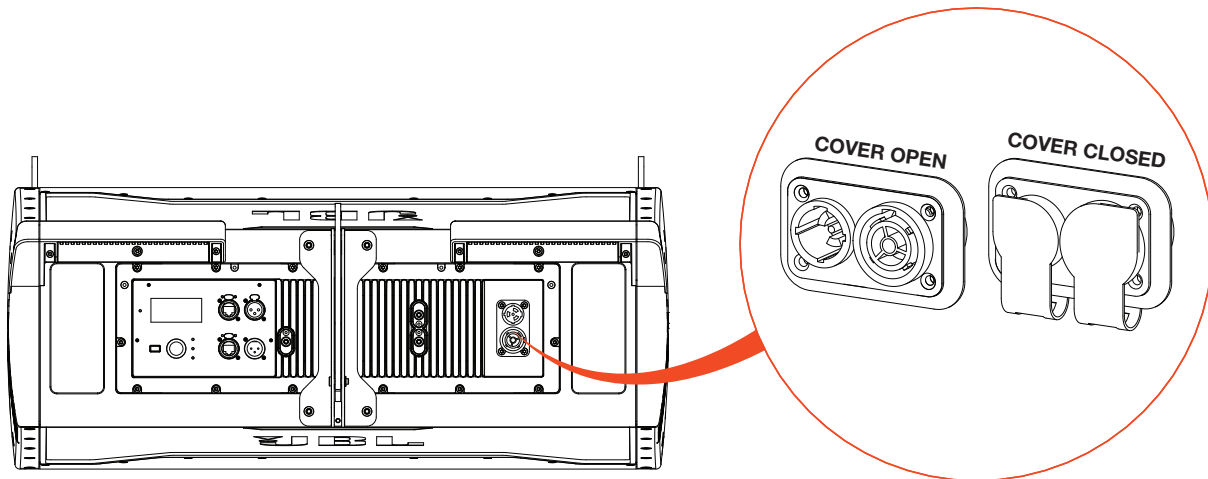
TIP: One input and one output powerCON TRUE1 TOP connector are included with all SRX900 products. Additional connectors can be purchased from authorized Neutrik resellers.

8.1 AC VOLTAGE REQUIREMENTS

The SRX900 Series amplifier module includes a universal power supply with Power Factor Correction (PFC), which can be used on any line voltage from 90 V to 250 V depending on the region, the type of wiring, and the power distribution panels available. When the line voltage goes above or below the set voltage limits, a protection circuit engages to protect the amplifier from damage. In this case, power to the loudspeaker is interrupted and the power LED at the back of the speaker flashes green to notify the user of improper incoming power.

8.2 POWER CONNECTORS

SRX900 Series products include two powerCON TRUE1 TOP connectors, one for AC input and one for AC output/loop through. The loop through connector allows multiple products to be powered from a single power source. Rubber sealing covers are used to maintain proper water ingress protection when a connector is not in use.



The maximum number of loudspeakers that can be looped from the AC output connector is determined by the voltage of the power source, the type of the looped loudspeakers (subwoofers vs full-range, etc.), and the circuit breaker rating. In general, the higher the line voltage, the lower the current consumption and the larger the number of speakers that can be used on a single line is. Using too many speakers looped together will not damage the speakers, but it will trip the mains breaker and interrupt audio once the breaker rating has been reached.



TIP: For detailed single cabinet current draw specifications refer to **Section 17 - Specifications**. Current draw and inrush values for a variety of input voltages are available.

8.3 CURRENT DRAW

The table below serves as a general guideline on the number of SRX900 Series products that can be connected together to a single power line. As previously discussed, the exact current draw of a speaker can be influenced by a number of factors, including the input voltage, music type, and cable length. The numbers below serve as a starting point and do not guarantee uninterrupted operation.

NUMBER OF SPEAKERS PER LINE			
	120 V (15 A)	208 V (15 A)	240 V (16 A)
SRX906LA	(6)	(10)	(12)
SRX910LA:	(4)	(7)	(8)
SRX918S	(2)	(3)	(4)
SRX928S	(1)	(3)	(3)



CAUTION: The numbers provided in the table above serve as a starting point and do not guarantee uninterrupted operation. Always make sure sufficient power is available to maintain operation at full output.



CAUTION: The number of speakers connected to the same power line should take into consideration the total inrush requirements of the speakers and the inrush capabilities of the circuit breaker. Check inrush requirements in Chapter 17 - Specifications.

8.4 POWER STATES

SRX900 Series speakers can be set to one of two power modes. See **Section 15 - LCD** for information on how to change between power modes via the rear LCD.

- **Always ON:** This is the default power mode. In this case, the speaker will remain always ON and consuming the idle power listed in **Chapter 17 - Specifications**.
- **Auto Standby:** The amplifier can be set to automatically conserve power after the audio drops below a specified level for a specified amount of time. When activated, auto standby reduces the idle current draw and is recommended for situations where loudspeakers are always connected to power but not always used. Amplifiers switch ON instantaneously once signal is applied. This feature can be switched ON/OFF via the LCD or configured via JBL Performance software. JBL Performance allows changing power parameters, reducing the time needed to setup this feature.

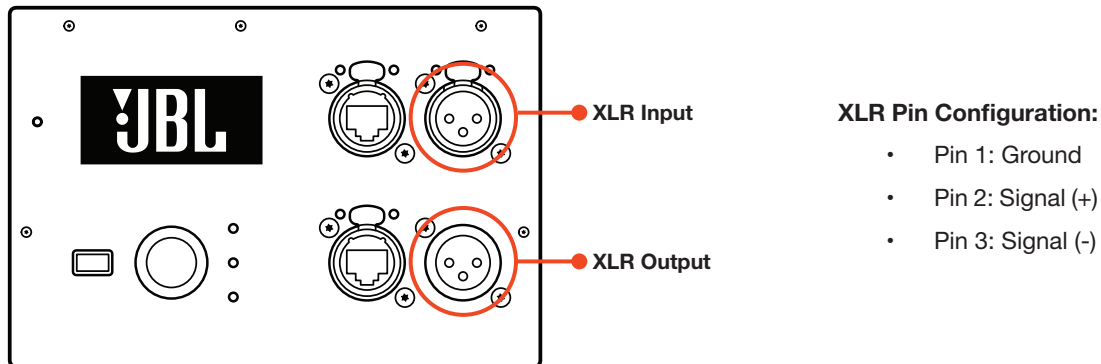
8.5 POWER LED

The power LED displays the current power status as stated below:

- **OFF:** No power is available.
- **Solid GREEN:** Power is connected and the speaker is active with no errors.
- **Fast flashing GREEN:** Power is available but the input voltage is below or above the safe operating range for the amplifier. The LED will continue to flash until power falls within range. In this state, the LCD, DSP, and amplifier are all OFF
- **Slow, GREEN fade-in/fade-out:** Power is available without errors. The speaker is in Standby mode. In this case, the LCD display is OFF.

9 - AUDIO CONNECTIVITY

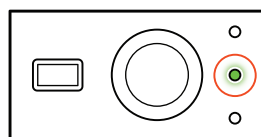
SRX900 products are equipped with a balanced line level analog input for interfacing with external audio equipment such as mixing consoles. The balanced line input can accept signals of up to **+21 dBu** and has an input impedance of **100 kOhm**. The male XLR output connector allows multiple loudspeakers to be connected together from a single output. The output connector is wired directly to the input and continues to function under a power loss condition.



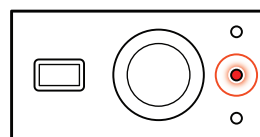
When daisy chaining multiple SRX900 devices together, it is necessary to maintain a 10x relationship between the destination and source impedances. For example, the mixing console has an output impedance of 100 Ohms, the combined total input impedance of all SRX900 cabinets would need to be no less than 11,000 Ohms (1 kOhm). Since the input impedance of the amplifier module is 100 kOhms, a maximum of 100 devices would be allowed on an XLR daisy chain in this example.

9.1 REAR PANEL AUDIO LEDS

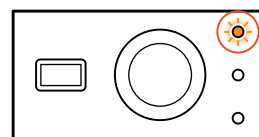
Two LEDs are available on the rear panel to provide visual feedback on system drive. The Signal LED turns green when signal level higher than -60 dBu is applied at the input, and red when the input signal is clipping the input. The Limit LED turns orange when limiting is engaged on one or both amplifier channels (LF/HF) to protect the transducers and or amplifiers. This LED is linked to the DSP-based LevelMAX™ limiter and can be activated by the Peak, RMS, or thermal limiter. Limiting is not uncommon and will not damage the transducers or the amplifier. When the Limit light is solid orange, it means that the system is being driven beyond its capacity and action should be taken to reduce the input level.



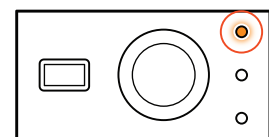
SIGNAL LED GREEN



SIGNAL LED RED (CLIP)



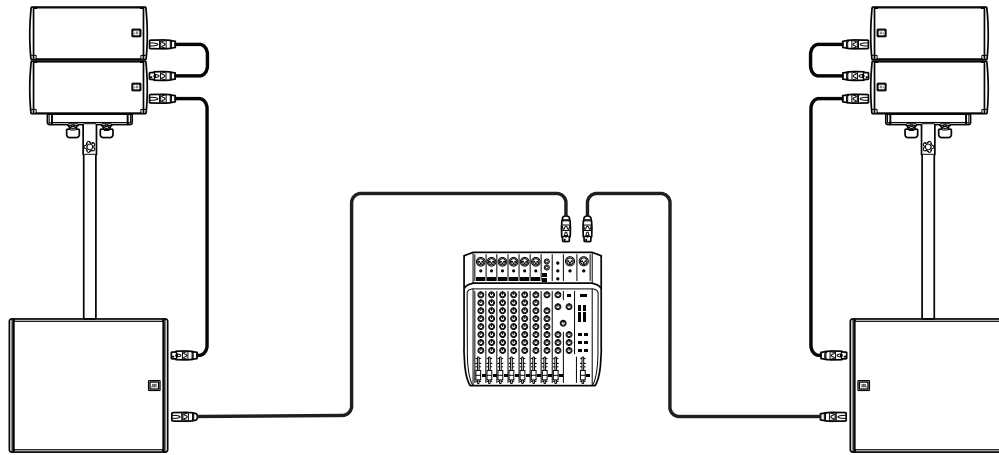
LIMIT LED BLINKING



LIMIT LED SOLID

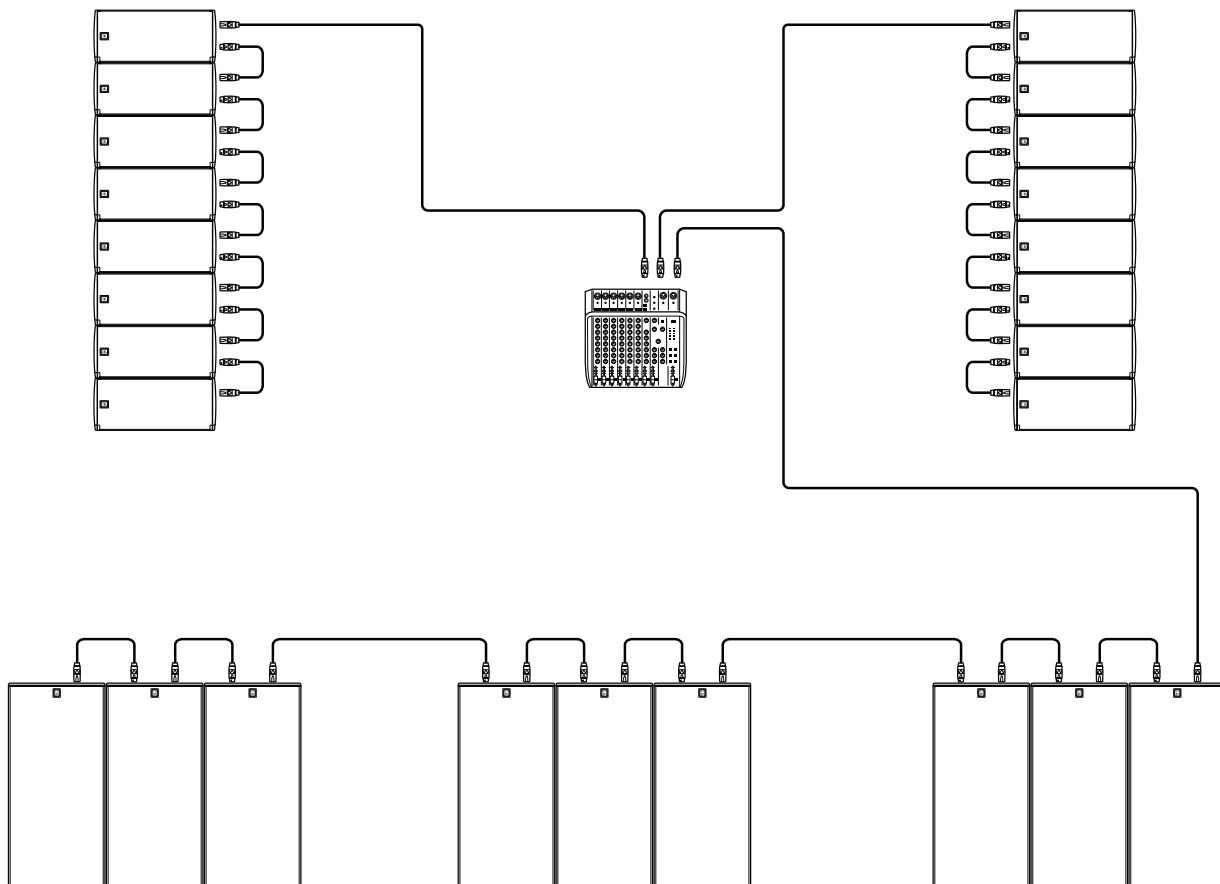
9.2 EXAMPLE: SMALL SYSTEM AUDIO WIRING

In this example, a small SRX900 system is fed from the left and right outputs of a mixer. The signal loops from the subwoofers to the mains.



9.3 EXAMPLE: LARGE SYSTEM AUDIO WIRING

In this example, a large SRX900 system consisting of SRX910LA suspended mains and SRX928S subwoofers is fed from three separate signals: left and right sends for the mains and an auxiliary send for the subs. The signal loops through all devices for each feed.



10-NETWORKING

All SRX900 devices communicate using standard TCP/IP data protocols, and so, like all typical network devices, need a set of unique addresses to communicate with similar devices on the network, and with the control device running Performance software. In general, SRX900 devices require the following types of properly configured addresses:

- **IP Address**
- **Subnet Mask**

10.1 IP ADDRESSES

IP addresses are used to identify and facilitate network communication between individual devices on a local network. Each SRX900 device within a network requires a unique IP address within a compatible subnet to correctly communicate to the rest of the devices on the network. IP addresses can be assigned manually by the user, or set automatically by the devices themselves or a DHCP server on the network. Once IP addresses are set for SRX900 devices and all devices have been verified as being visible and non-conflicting on the network, it is not necessary for the user to remember the IP address of each device.

IP Address Example: 169.254.12.192

10.2 SUBNET MASK

Every IP address is made up of two unique parts, a host address and a network address. An IP address requires a subnet mask to indicate which part of the address is the host address and which part the network address. It is important for all SRX900 devices on the network to have the same subnet mask to enable them to communicate without requiring advanced routing configurations.

Subnet Mask Example: 255.255.0.0

10.3 NETWORK CONFIGURATION FOR SRX900 DEVICES

SRX900 devices on a network can be set to either automatically get IP and subnet addresses (DHCP) or be programmed manually by the user. Modes can be changed from the rear LCD screen or from JBL Performance software utilizing the NetSetter tool.

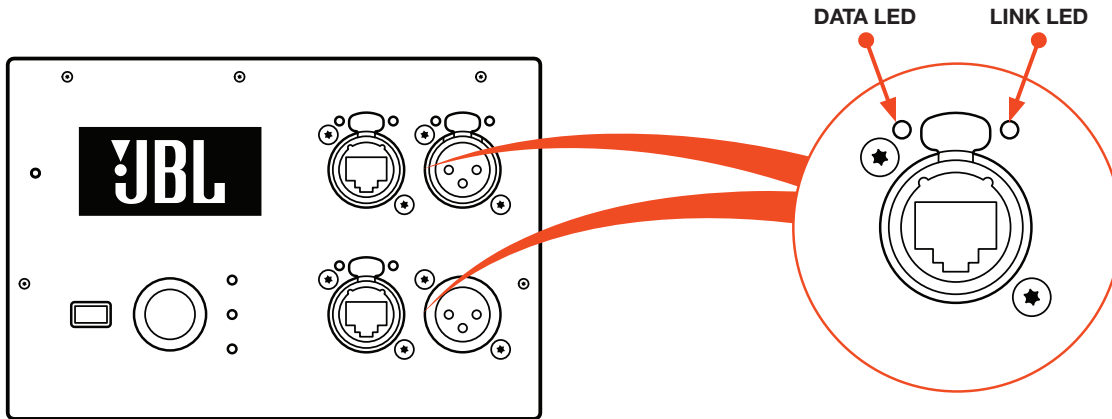
- **DHCP (recommended)** - In this mode, IP address and subnet mask information for each device are automatically assigned by a DHCP server. If no DHCP server is present, the devices will rely on the APIPA (Automatic Private IP Addressing) standard to self-negotiate IP address and subnet mask information. In most configurations where SRX900 devices are not connected to a strictly managed or mixed use network, DHCP configuration is the fastest and easiest way to configure all devices and get a system online.
- **Static IP** - In this mode, the user is responsible for configuring the IP address and subnet mask of every SRX900 device, as well as the control device on the network. Each device must be assigned the same subnet mask and a unique IP address within the subnet mask's range. IP address and subnet mask values can be entered from the rear LCD or from the NetSetter tool within JBL Performance control software.



TIP: For more information on setting the IP address mode from the rear LCD, see **Section 15 - LCD**. For more information on setting the IP address mode from JBL Performance software, see the **Performance User Guide** available at www.jblpro.com.

10.4 ETHERNET PORTS

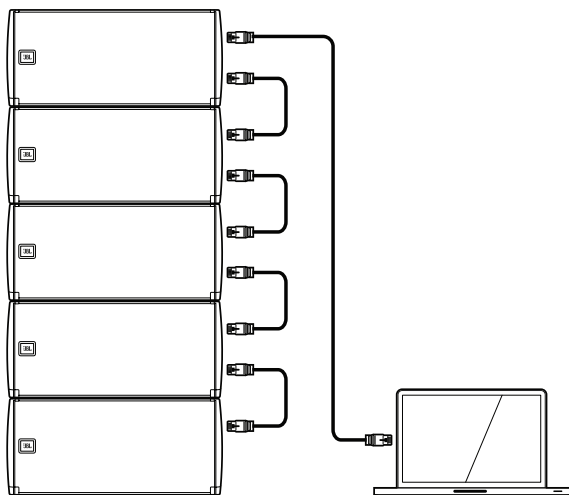
SRX900 Series amplifier modules are equipped with two fully switched network ports. These ports are used for all data communication between the amplifier module and the control device running JBL Performance control software. Because these two ports are fully switched, devices can be daisy chained together to simplify cabling. The standard RJ45 ethernet jack is encapsulated in a Neutrik etherCON® receptacle and can be used with standard RJ45 connectors or etherCON-style connectors for a rugged connection.



10.5 NETWORK TOPOLOGIES

Three unique network topologies exist for connecting SRX900 Series systems: Daisy Chain, Star, and a Hybrid Daisy Chain/Star. Each topology is pictured below with a diagram depicting how the system should be wired. Every SRX900 system setup is unique, therefore no single network setup is universally correct. However, there are pros and cons of each setup that are listed with its wiring diagram.

Daisy Chain Network Topology



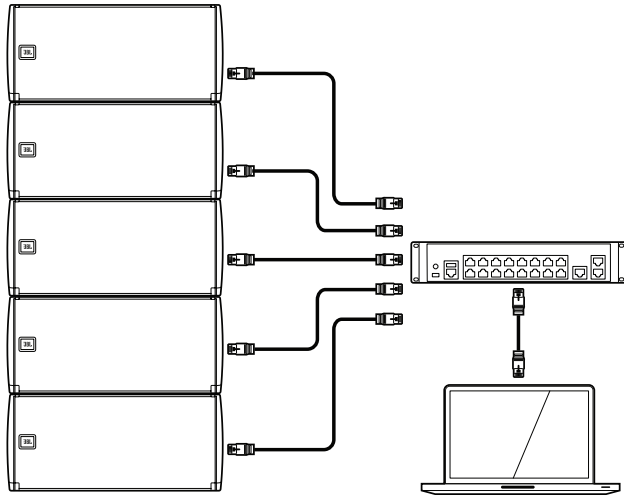
Pros

- Simple and easy
- Ideal for smaller systems
- Minimal wiring requirements
- Requires no additional network switches.

Cons

- Not recommended for large systems
- Possibility of single point of failure

Star Network Topology



Pros

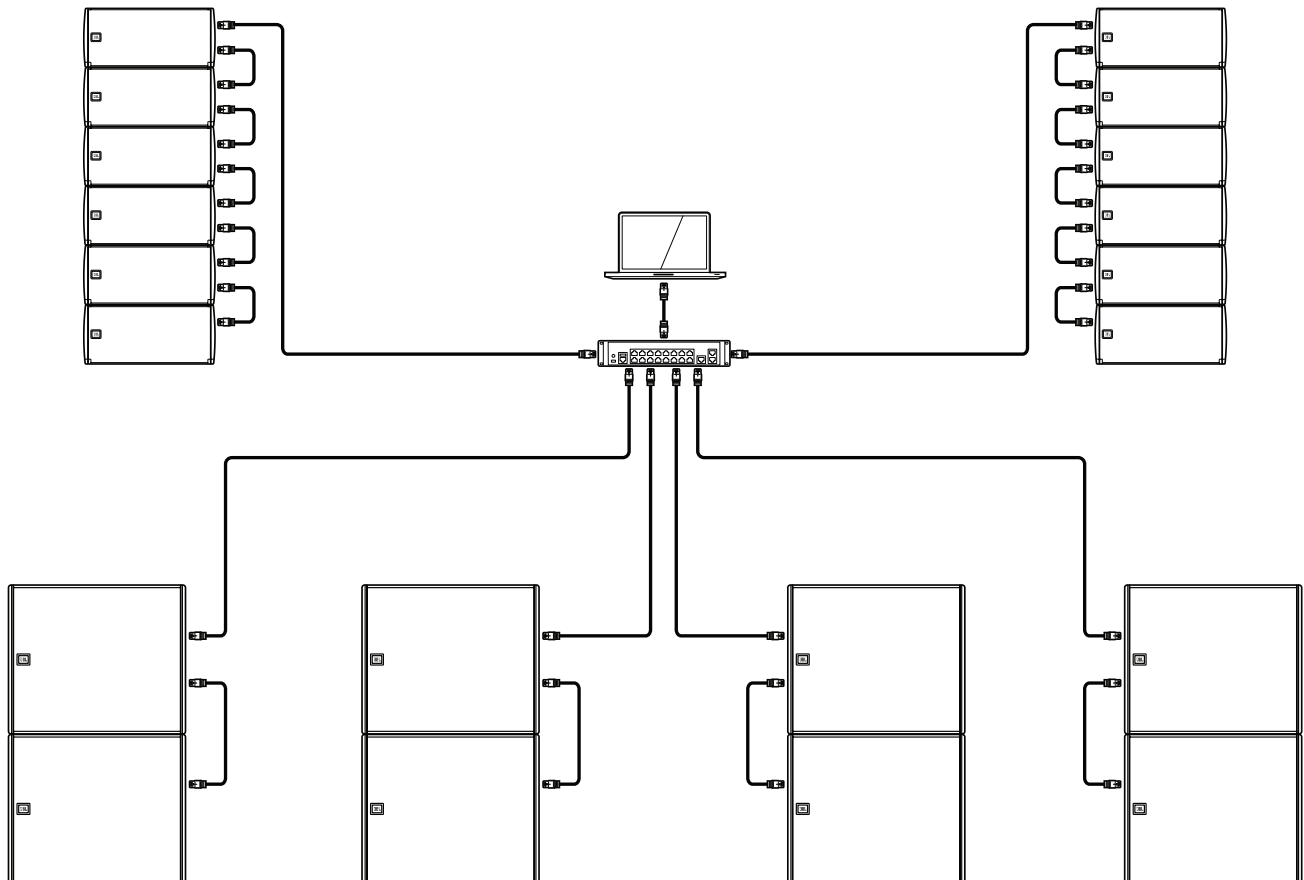
- Fast and reliable
- Ideal for large installation where IT is involved
- No single point of failure
- Minimizes device-to-device switch hops

Cons

- Complex and expensive wiring
- Requires external Ethernet equipment
- Not recommended for portable applications

Hybrid Daisy Chain and Star Network Topology

Combines the best of both topologies into a production-friendly design that is easy to deploy, easy to cable, minimizes switch hops, and provides a degree of reliability against power failure.



11 - HCONTROL

SRX900 Series speakers utilize the Harman HControl communication protocol to send messages between devices and applications such as JBL Performance. HControl is standard TCP/IP traffic and can use off-the-shelf network switches and Wi-Fi access points. HControl can co-exist with other standard network traffic such as HiQNet, Dante, AES 67, and internet traffic on a shared network. HControl is an Open Systems Interconnect (OSI) Layer 7 (application layer) protocol, registered with the Internet Assigned Numbers Authority (IANA) as operating over Transmission Control Protocol (TCP) and Uniform Datagram Protocol (UDP) on port 4197.

11.1 HCONTROL ID

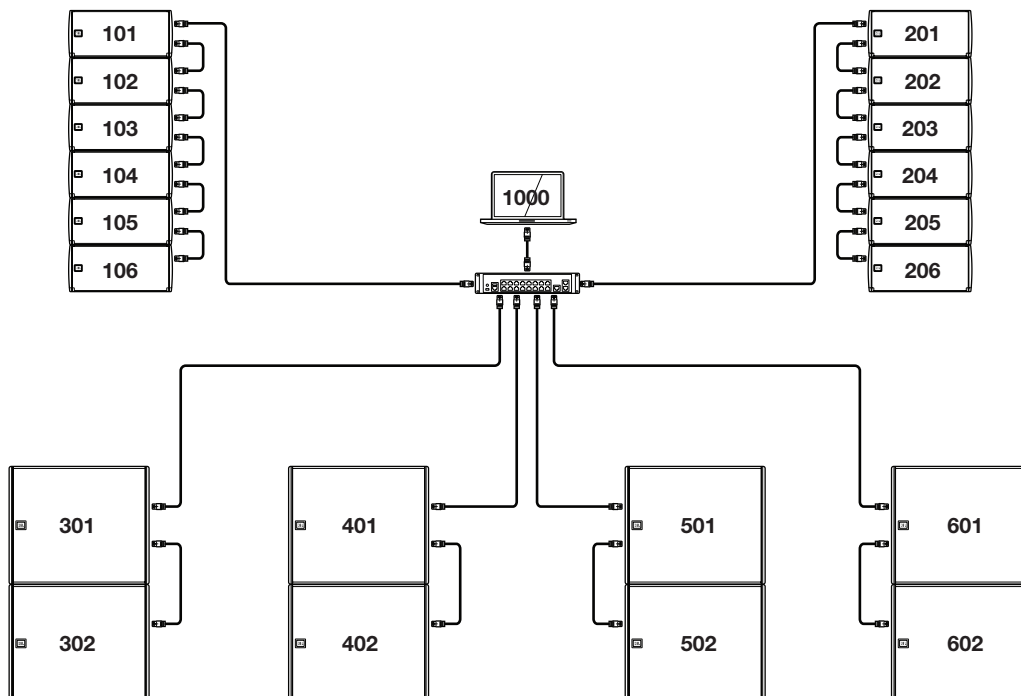
HControl IDs (HCID) are designed to provide users with an easy way to match real devices and virtual devices, regardless of network address or configuration. HCIDs are used to give each device a numeric identifier up to six digits long. Each hardware device has a fixed HCID set at the factory that the user can modify, either on the device LCD (See **Section 15 - LCD** for more information) or in JBL Performance, using the integrated NetSetter tool. The HCID can also be locked from the LCD menu to restrict changes from software.

11.2 HCID USE CASES

JBL Performance software offers a visually intuitive layout of devices in software that mimics the real-world design of the system. Matching the actual hardware to the correct virtual device is the first step in getting the system online. If hardware HCIDs are known, a user can pre-program the ID in the corresponding virtual location in the software. When the network is up, simply click “Auto Match” in Connect mode, and the software will automatically match the hardware to the virtual devices. When setting HCID addresses on the hardware, it is best to choose logical blocks of numbers that are easy to recognize.

11.3 EXAMPLE SYSTEM HCID ADDRESSING

The following example illustrates a recommended approach to addressing devices in a mid-sized system.



12 - SPEAKER PRESETS

SRX900 Series speakers have dedicated speaker presets created by JBL engineers to optimize the system for a given use case. These presets are embedded in the device firmware and may be updated by JBL to further improve performance. They can be recalled and changed independently of the user DSP and are not editable by the end user.

12.1 LINE ARRAY MODES

SRX900 Series line arrays can be operated in one of three modes depending on the application and the number of speakers within an array. Operating modes are designed to create a neutral starting point and alter the tonal balance of the speakers to compensate for low frequency changes caused by array conditions. Select the most appropriate mode for the application at hand via the LCD panel or software.

FILL: The FL presets (short for FILL) have nominally flat frequency response and are used in situations where individual SRX900 cabinets are appropriate, such as distributed front fills. This mode is available for both the SRX906LA and SRX910LA.

SMALL ARRAY (SA): The SA preset (short for Small Array) is appropriate in situations where two or three SRX906LA cabinets are placed on a pole on top of subwoofers. A gentle high frequency shelving response is applied to offset LF/MF array buildup for arrays of two to three cabinets. This mode is exclusive to the SRX906LA, since the SRX910LA cannot be pole mounted.

ARRAY: This is the standard preset for array use. This preset is available for both models and should be used in all situations where four or more speakers are used. A high frequency shelving response is applied to offset LF/MF array buildup for nominally focused arrays (equally spaced impact points over the desired audience coverage area). This mode is compatible with the Array Size Compensation filter, which can further shape the array buildup for longer arrays.

Low frequency options:

Each line array mode is available in two variants, full-range or 80 Hz. In full-range mode, the acoustical low frequency response of the system extends as low as possible and should be used when the system is operated without subwoofers. The 80 Hz option is used when subwoofers are available and when the highest A-weighted sound pressure level (SPL) is required.



CAUTION: When subwoofers are available, the SRX906LA and SRX910LA speakers should always be operated in the 80 Hz mode, which produces the highest A-weighted sound pressure level (SPL) and reduces amplifier resources.

12.2 SUBWOOFER PRESETS

Low frequency options:

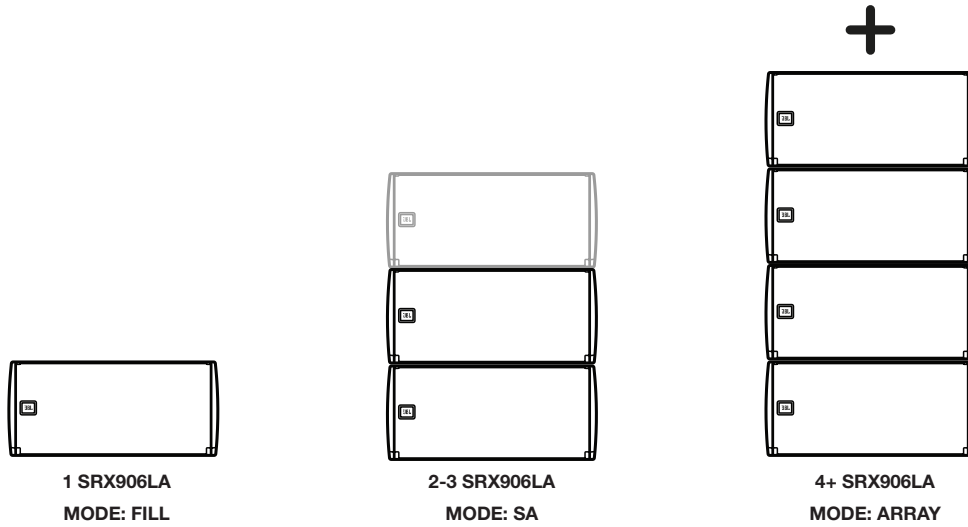
The SRX900 subwoofers support two modes 60 Hz or 80 Hz. When subwoofers are used together with SRX900 line arrays, 80 Hz mode should always be selected.

Orientation: Forward or Rear

By default, a subwoofer is set as Forward for normal operation. In properly configured subwoofer arrays, a subwoofer's physical orientation can be changed, which with proper DSP settings, will improve rejection behind the subwoofer array and improve the forward response. The Rear setting will automatically recall the proper DSP settings to optimize the subwoofer for this configuration, which is often referred to as a "cardioid subwoofer array". See **Section 14 - Subwoofer Orientation** for additional information regarding forward and rear-facing subwoofers and how to deploy a cardioid subwoofer array.

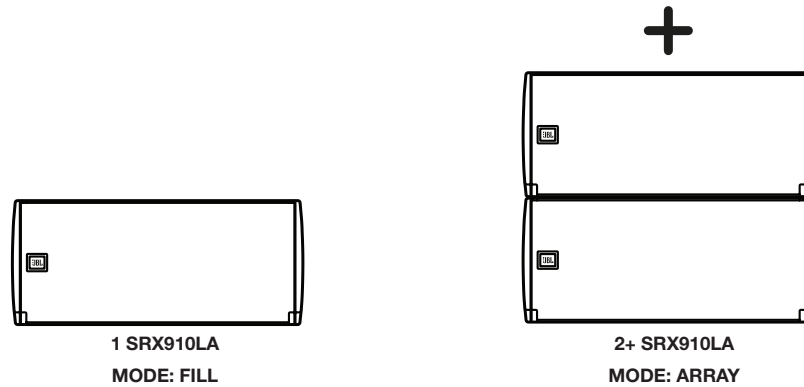
12.3 SRX906LA PRESET EXAMPLES

All three preset modes include Full-Range and 80 Hz HPF options.



12.4 SRX910LA PRESET EXAMPLES

Both preset modes include Full-Range and 80 Hz HPF options.

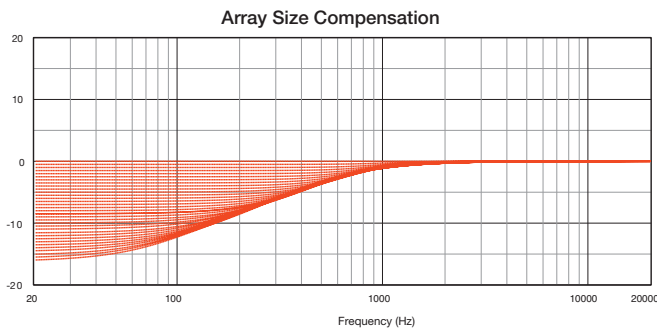


13 - ARRAY CALIBRATION

SRX900 Series full-range speakers have two dedicated, user-adjustable filters designed to quickly tailor the tonal response of an array. Each filter serves a specific intended purpose to accelerate the tuning process. Both filters can be applied quickly to all elements in an array from JBL Performance software, or to array elements one at a time from the LCD on the rear of the cabinets. For more information on applying Array Calibration filters from the LCD, see **Section 15 - LCD**, and for information on applying calibration filters from Performance control software see the **Performance User Guide** available at www.jblpro.com

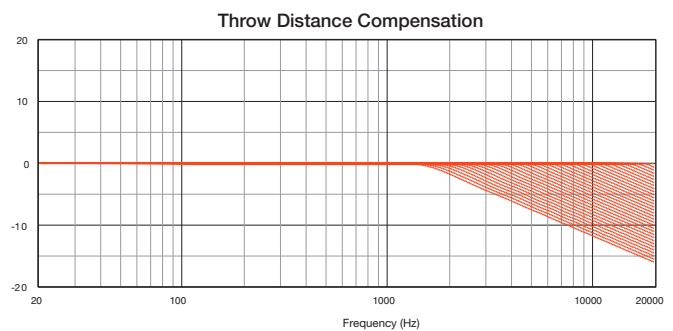
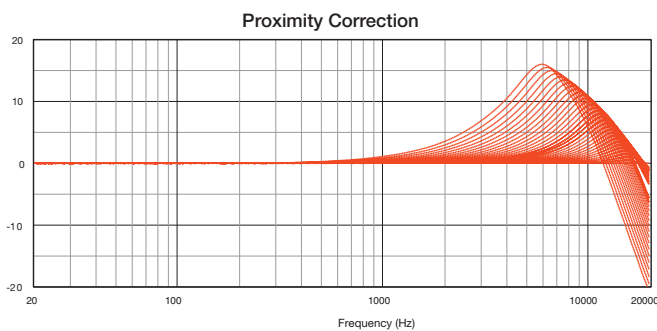
13.1 FILTER 1 - ARRAY SIZE COMPENSATION (ASC)

The Array Size Compensation (ASC) filter is designed to work in conjunction with the array presets and it can be used to reduce the energy created by the coupling effects of arrays in the mid and low frequencies, and bring the array closer to the desired tonal response. LF adjustments should be applied equally to all cabinets within the array. ASC values can depend on the shape of the array, the acoustics of a room, or preference. Adjust ASC up or down to achieve the desired tonal result.



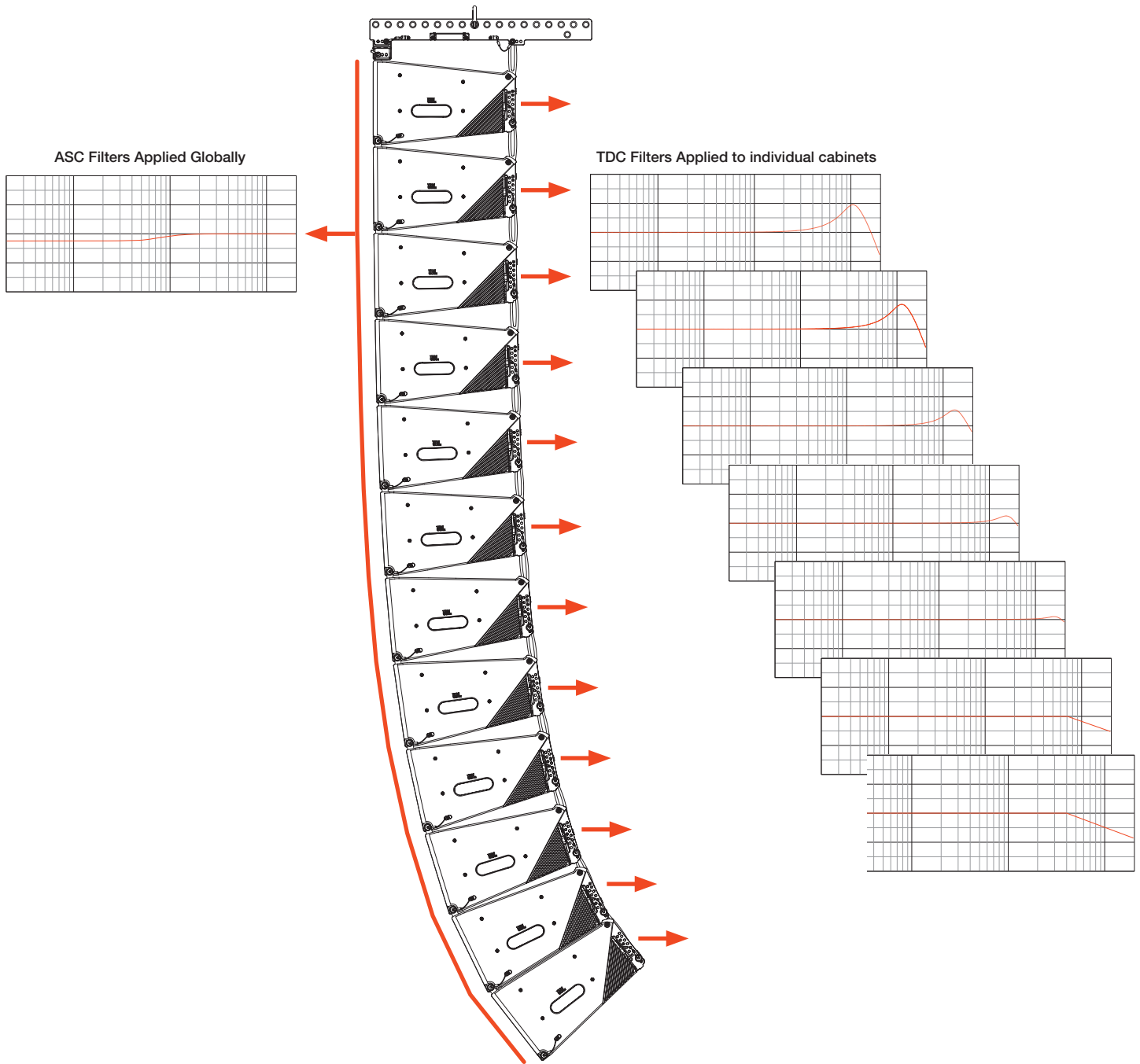
13.2 FILTER 2 - THROW DISTANCE COMPENSATION (TDC)

The Throw Distance Compensation (TDC) filter provides a linear phase, EQ and per-cabinet gain adjustment to optimize each array element for the air absorption effects of distance. TDC is typically applied on a per-cabinet basis, depending on the desired outcome, with the cabinets throwing further distances typically needing an HF boost, and cabinets throwing short distances needing HF reduction.



13.3 ARRAY CALIBRATION FILTER EXAMPLE

The example below represents a typical use case for the Array Calibration tool set. The 12-Box SRX906LA array shown below has Array Size Compensation (ASC) subtracted globally from all elements of the array. The individual speakers within the array have additional Throw Distance Compensation applied to improve long-throw performance and remove some excess HF that may be present due to the distance from the array to the front audience members.



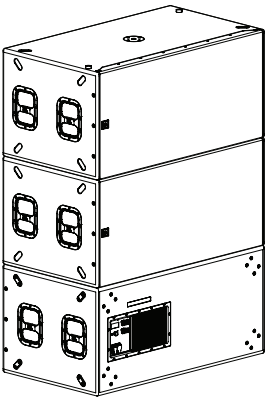
14. SUBWOOFERS

14.1 CARDIOID SUBWOOFERS

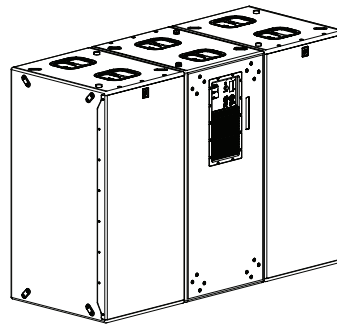
In some situations, the omnidirectional nature of subwoofers is desirable, but in others, directional coverage is required. The most common use case for directional subwoofers involves preventing excessive low frequency energy from reaching the stage. A single subwoofer radiates omnidirectionally, but cardioid coverage can be achieved with an array of subwoofers in which the physical orientation of some cabinets is reversed and the Rear speaker mode selected. The Rear speaker mode sets the DSP parameters to optimize the system to provide the maximum amount of cancellation possible for most standard configurations without the need for any user DSP changes.

14.2 RECOMMENDED CARDIOID SETUPS

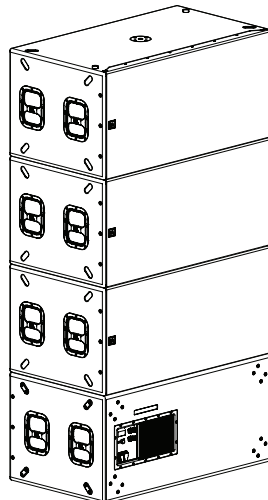
Cardioid configurations are typically differentiated by the ratio of front-facing to rear-facing cabinets, the spacing between stacks, and the position of rear-facing subwoofers within the stacks. Lower ratios produce higher rejection, higher ratios result in lower rejection. The SRX9xxS factory presets were engineered to work with blocks having 2:1 and 3:1 ratios, with 2:1 delivering the greatest rear rejection. Subwoofer arrays designed around a 2:1 ratio can easily generate broadband rejection of 20 to 30 dB. It is NOT advised to go below 2:1 or above 3:1 ratios. If larger arrays are desired, combining cardioid blocks into bigger arrays is possible. Using LAC-3 to predict the expected coverage of complex arrays is suggested to ensure the intended coverage suits the desired application.



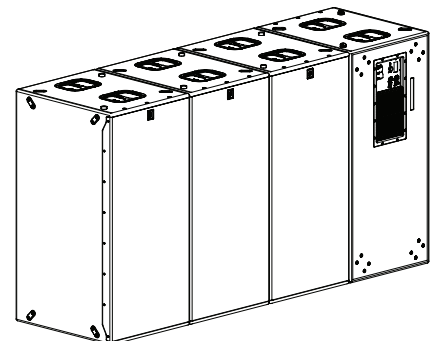
Example 1: 2:1 horizontal stack



Example 2: 2:1 on-end



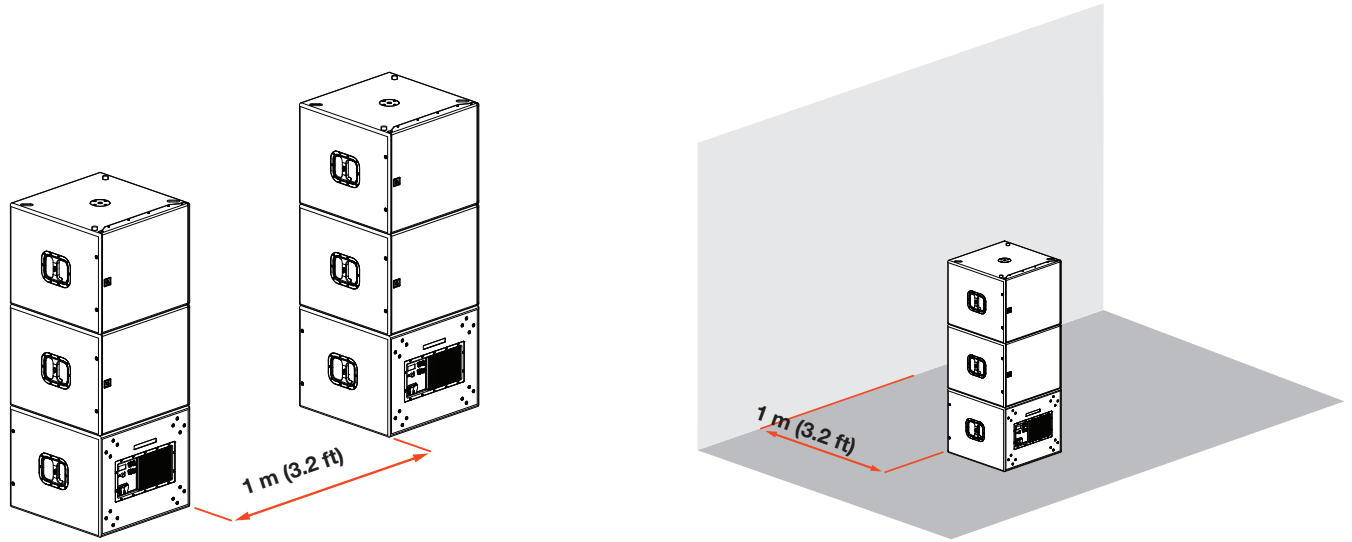
Example 3: 3:1 horizontal stack



Example 4: 3:1 on-end

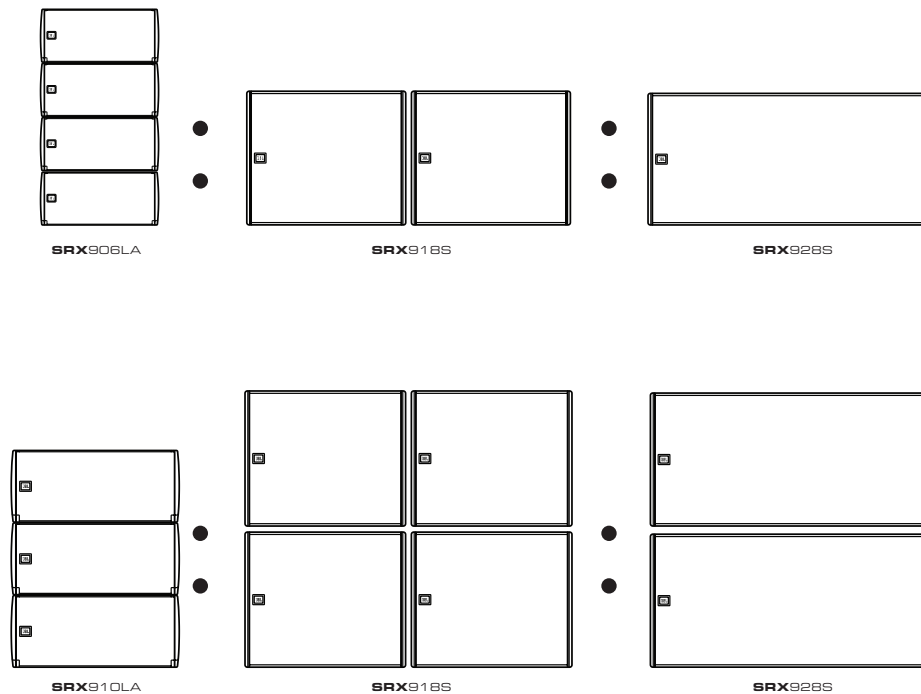
14.3 MINIMUM SPACE BETWEEN CARDIOID STACKS

When creating subwoofer arrays using cardioid blocks of subwoofers, a distance of at least 1 meter (3.2 feet) should be allowed between stacks and high-mass structures, like a concrete wall or stage, to avoid disrupting rear radiation patterns.



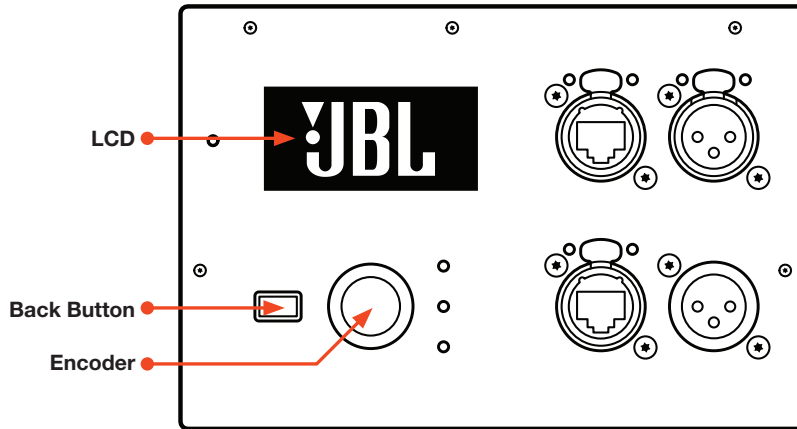
14.4 SUBWOOFER RATIOS

The minimum recommended subwoofer ratios provide sufficient headroom for both the subwoofers and full-range cabinets to reach MAX SPL (limiters) at the same time, while maintaining a minimum of 10 dB sub to full-range low frequency contour. Other ratios can be used depending on the desired tonal balance target, maximum SPL, and application.



15 - LCD

The LCD screen on the rear panel is a powerful tool for accessing speaker parameters, including operating modes (speaker presets) and network settings. Navigating the menus and changing selected parameters is done with the **Encoder**. Rotate the **Encoder** to move through menus and parameters. When the setting you want to edit is highlighted, press the **Encoder** to enable editing of the value, rotate the **Encoder** to set the desired value, then press the **Encoder** again to apply the value. Pressing the **Encoder** acts as an enter button. The **Back** button returns to the previous menu. In a confirmation dialog, the **Back** button acts to cancel the operation.



LCD Functions Overview:

- DSP Parameters
- Network Settings
- HControl
- Device Settings
- Device Information
- System Reset

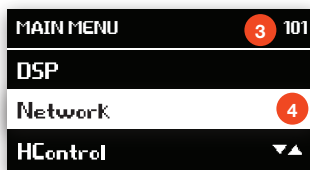
15.1 OVERVIEW SCREENS



The Home Screen

This screen is displayed after the amplifier completes its powerup routine, or after one minute of inactivity. It can also be accessed by pressing the **Back** button from the main menu.

- 1 HControl ID
- 2 Speaker Array/Location Information set from Performance software



Main Menu

Pressing the encoder from the Home screen opens the main menu. The main menu provides access to all submenus.

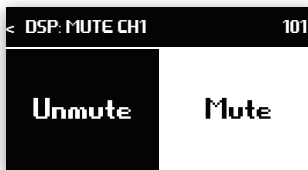
- 3 HControl ID
- 4 Current menu position highlighted by the white bar

15.2 DSP



DSP Menu

The DSP menu contains high-level DSP parameters for user-adjustable DSP settings.



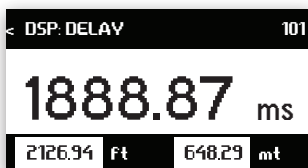
MUTE

To change the Mute setting, use the encoder to select the desired state. Press the encoder to apply the parameter, and the display will return to the DSP menu. Bi-amplified systems will have a mute per bandpass. Pressing the **Back** button exits the menu without applying a change.



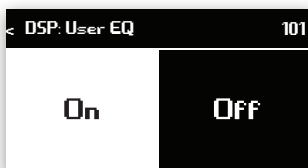
GAIN

The system input gain can be changed in real time by turning the encoder. Pressing the **Back** button exits to the main menu.



Delay

Delay can be enabled or disabled, and the delay time can be set from 0 ms to 2,000 ms.



User EQ

User EQ is enabled or disabled with this control. User EQ is edited in JBL Performance software.



Array Size Compensation and Throw Distance Compensation

Array Size Compensation (ASC) and Throw Distance Compensation (TDC) can be enabled or disabled and adjusted in .5 dB increments from -16 dB to +16 dB.



Speaker Mode (Full-range systems only)

For full-range systems, the speaker mode can be set to Array or Fill by turning the encoder, then pressing on it to apply the selected setting. This change will load a speaker preset in the speaker DSP, optimized for the indicated use case, and has no effect on User DSP settings. SRX906LA speakers can also choose the SA preset.



Orientation (Subwoofers only)

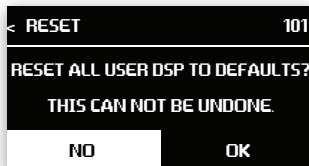
For subwoofers, the speaker's orientation can be set to Forward or Rear. Selecting Rear loads a speaker preset with factory-optimized DSP settings for rear-facing subwoofers in a cardioid array.



LF Mode

LF Mode sets the crossover frequency used in the factory presets.

- For full-range systems, the setting options are Full-Range (FR) and 80 Hz
- For subwoofers, the setting options are 60 Hz and 80 Hz.



Reset All DSP

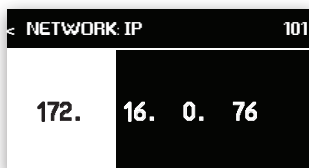
The User DSP section can be returned to factory default values by entering this screen, selecting the OK button with the encoder, and pressing it. On the confirmation screen, select Confirm, then press the knob a second time to reset the DSP parameters. This operation cannot be undone and will disconnect the device from connected software. Pressing the **Back** button at any time exits to the menu without making a change.

15.3 NETWORK



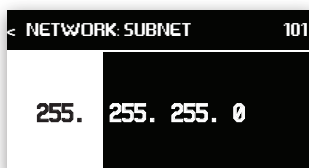
Mode

Press the Encoder to set the Network Mode to DHCP or Static.



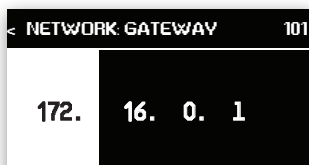
IP Address

When the network mode is set to Static, the IP can be set one octet at a time by using the encoder to select the desired octet, pressing the knob to enable editing, rotating the knob to select the desired value, and pressing the knob to store the change. Pressing the **Back** button cancels the change.



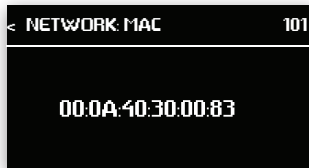
Subnet Mask

When the network mode is set to Static, the subnet can be set one octet at a time by using the encoder to select the desired octet, pressing the knob to enable editing, rotating the knob to select the desired value, and pressing the knob to store the change. Pressing the **Back** button cancels the change.



Gateway

When the network mode is set to Static, the gateway can be set one octet at a time by using the encoder to select the desired octet, pressing the knob to enable editing, rotating the knob to select the desired value, and pressing the knob to store the change. Pressing the **Back** button cancels the change.



MAC Address

This displays the device's MAC address. This address is unique to each product and set at the JBL factory at the time of manufacturing. This address is not user adjustable.

15.4 HCONTROL



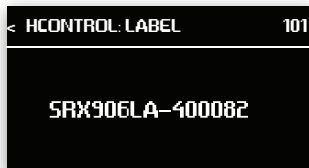
HControl ID (HCID)

If the HControl Lock is set to Unlocked, The HControl ID can be set one digit at a time by using the encoder to select the desired digit. To change the number, press the knob, rotate the knob to select the desired value, and press the knob to store the change. Pressing the **Back** button cancels the change to the digit.



Lock ID

The HControl ID lock disables the ability to change the HControl ID. Select the Lock or Unlock setting and press the encoder to confirm the setting. Pressing the **Back** button exits without making a change.



HControl Label

This read-only screen displays the HControl label set in the Performance software's NetSetter window as the identifier of the device.

15.5 SETTINGS



Auto Standby

The amplifier can be set to automatically conserve power when the audio drops below a specified level for a specified amount of time. The Auto Standby feature can be enabled or disabled by using the encoder to select On or Off, then pressing the knob to commit the change. The threshold level can be set using JBL Performance in the Device Control Panel.



Display Brightness

The display brightness can be changed in real time by turning the encoder. Pressing the **Back** button exits to the main menu.



Display Auto-Dim

The display can be set to automatically turn off when unused for a specified amount of time. This feature can be enabled or disabled on the LCD by turning the encoder to select the desired setting and then pressing it to apply the setting. The threshold time for auto-dimming can be set using JBL Performance in the Device Control Panel or by setting Display Auto-Dim Time on the LCD.



Display Auto-Dim Time

If Display Auto-Dim is enabled, this sets the amount of time between the last press of a knob or button on the LCD and when the display turns off. The Auto-Dim Time can be changed in real time by turning the encoder. Pressing the **Back** button exits to the main menu.



Ambient Temperature

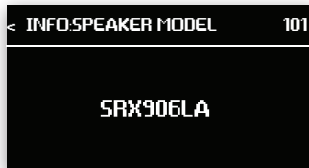
The Ambient Temperature setting adjusts the equation used to calculate the amount of time applied when delay is entered as distance to account for the impact of temperature on the speed of sound, and can be changed in real time by turning the encoder. Pressing the **Back** button exits to the main menu.



Locate

The Locate feature flashes the LEDs on the amplifier module and is bidirectionally used, either to identify hardware from software, or to identify an associated virtual device in software from the physical cabinet. This feature can be set from the LCD or from software. Restarting the device automatically sets this parameter to OFF. The feature can be enabled or disabled by using the encoder to select On or Off, and then pressing on it to apply the value.

15.6 INFO



Speaker Model

This screen displays the speaker model.



Amplifier Version

This screen displays the hardware revision of the amplifier module.



Firmware Version

This screen displays the loaded firmware version.

15.7 SYSTEM RESET



System Reset

This feature resets all user settings and DSP back to factory defaults. It erases all parameter settings, network information, stored presets, and all other user-adjustable settings. This action cannot be undone. Selecting the **OK** button with the **Encoder** and pressing it will bring the confirmation screen. Selecting Confirm on the confirmation screen and pressing on the knob a second time resets the device back to defaults. Pressing the **Back** button exits to the menu without making a change.

15.8 MENU OVERVIEW

The graphic below represents all options and settings available from the rear LCD screen on the SRX900 Series products.

MAIN MENU 101	• Mode	• MAC Address
Network	• IP Address	
HControl	• Subnet Mask	
DSP ▼▲	• Gateway	



MAIN MENU 101	• HControl ID (HCID)
Network	• Lock HControl ID
HControl	• HControl Label
DSP ▼▲	



MAIN MENU 101	• Mute: Enable	• User EQ: Enable	• TDC: Level
Network	• Gain: Level	• ASC: Enable	• Speaker Mode/Orientation
HControl	• Delay: Enable	• ASC: Level	• LF Mode
DSP ▼▲	• Delay Time: ms	• TDC: Enable	• Reset User DSP



MAIN MENU 101	• Auto Standby	• Ambient Temperature
Settings	• Display Brightness	• Locate
Info	• Display Auto-Dim	
Factory Reset ▼▲	• Auto-Dim Time	



MAIN MENU 101	• Speaker Model
Settings	• Amp Version
Info	• Firmware Version
Factory Reset ▼▲	



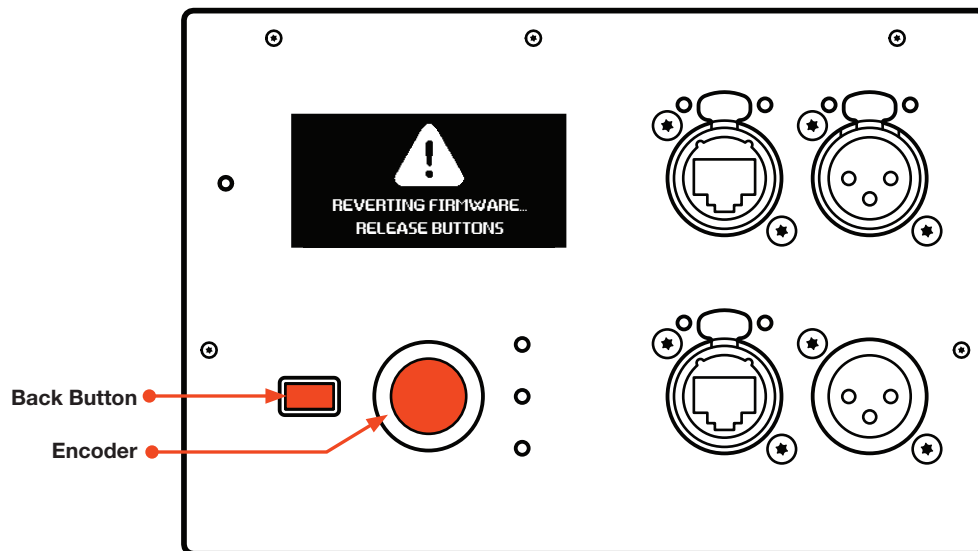
MAIN MENU 101	• Confirm Reset
Settings	
Info	
Factory Reset ▲	

15.9 REVERT FIRMWARE

SRX9xx products contain two versions of firmware within the devices memory: the current firmware the device uses to operate, and the previous version of firmware. In the event it is necessary to revert an SRX9xx product to the previous version of firmware, follow the steps below.

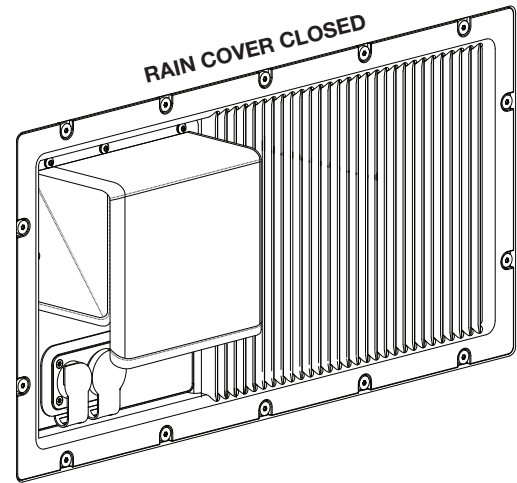
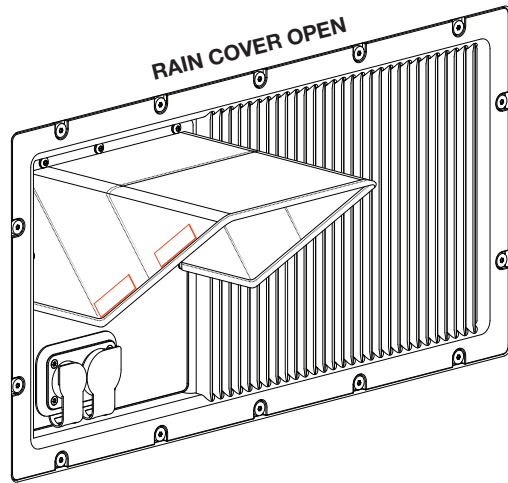
STEPS:

- 1 Disconnect power to the product
- 2 Hold down the **Back** and **Encoder** buttons simultaneously
- 3 Power on the product
- 4 Continue to hold down both buttons until LCD displays “Reverting Firmware”
- 5 Release the buttons and allow device to boot up



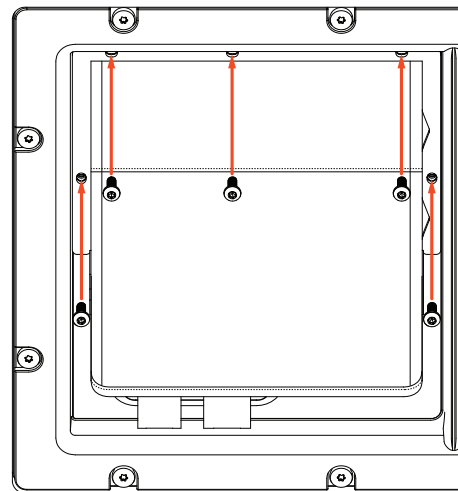
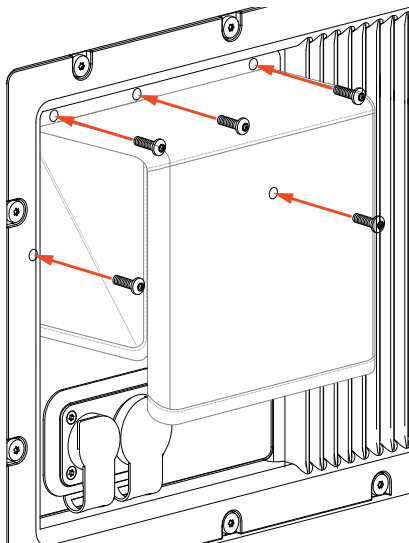
16 - SRX900 RC RAIN COVER

The SRX900 RC Rain Cover is a rugged weather-resistant protective cover that installs easily over top any SRX900 Series amplifier module to protect the amplifier LCD screen and connections from moisture. The Rain Cover has Velcro strips sewn to its edges to allow the user to close the cover over top of the connections once system setup is complete. The cover is depicted on an SRX918S below, but is a universal part that can fit on any of the SRX900 Series products.



16.1 INSTALLING THE SRX900 RC RAIN COVER

To Install the Rain Cover, line the holes in the Rain Cover frame up to the threaded mounting points on the amplifier module and install the five screws included with the Rain Cover kit.



TOOLS REQUIRED: A Torx T15 driver is required to install the Rain Cover.

17 - PRODUCT SPECIFICATIONS

SRX906LA

ACOUSTICAL

Frequency Range

(-10 dB) : 63 Hz-17 kHz (array preset)
 (-3 dB) : 70 Hz-15 kHz (array preset)

Coverage Pattern (-6 dB)

Horizontal : 120 degrees nominal (500 Hz-16 kHz)
Vertical : Varies with array size and configuration

Maximum Peak Output¹ : 134 dB

System Type : Line Array, two-way active

TRANSDUCERS

Low Frequency : (2) JBL 2186G, 6.5 in diameter, dual 2.0 in diameter voice coil, neodymium Differential Drive[®]

High Frequency : (1) JBL 2432H-3, 1.5 in exit neodymium compression driver with 3 in voice coil

AUDIO INPUT

Input Type : Balanced line level

Connectors : (2) Neutrik XLR (IN/OUT)

Nominal Input Sensitivity : +6 dBu (system starts limiting with broadband noise and music)

Maximum Input Level : 21 dBu

Input Impedance : 100 k Ω

AMPLIFIER

Type : Class-D

Number of Channels : (2)

Continuous Power² : 600 Watts

LF: 400 Watts | HF: 200 Watts

Peak Power³ : 880 Watts

LF: 580 Watts | HF: 300 Watts

Cooling Type : Convection, external aluminum heat sink, internal on-demand fan

DSP

Sample Rate : 48 kHz

Bit Depth : 24 bit

USER INTERFACE

Type : LCD screen, encoder, Back button, (4) LED Indicators (3 single, 1 bi-color)

Footnotes:

1: Peak, unweighted SPL, measured under full-space conditions at 1 meter using broadband pink noise with a 12 dB crest factor and specified preset.

2: Bench power: ≥ 1 sec, 1 kHz, 120 VAC, no DSP, all channels driven.

3: Burst power: ≥ 20 ms, 1 kHz, 120 VAC, no DSP, all channels driven.

NETWORKING

Type : TCP/IP**Protocol :** Harman HControl**Speed :** Dual 100 Mbps ports**Connectors :** (2) Neutrik etherCON®

AC POWER

Voltage Range**Nominal :** 100-240 VAC, 50/60 Hz**Limits :** 80-260 VAC, 50/60 Hz**Connectors :** Dual (IN/OUT) Neutrik powerCON TRUE1 TOP®

CURRENT DRAW

	120 V	208 V	240 V	
Standby :	0.2 A	0.1 A	0.1 A	
Idle :	0.3 A	0.2 A	0.2 A	
Continuous⁴ :	1.3 A	0.8 A	0.7 A	
Maximum Instantaneous Peak⁵ :	7.0 A	5.4 A	4.7 A	
Peak Inrush⁶ :	2.2 A	3.6 A	4.3 A	

PHYSICAL

Enclosure : Polypropylene, four integral recessed handholds**IP Rating⁷ :** IP54**Suspension :** Three-point captive suspension plates, quick release pins, steel with anti-corrosion coating**Inter-enclosure Angle (deg) :** 0.5, 1, 2, 3, 4, 5, 6, 7, 8, 9, 10, 11, 12**Grille :** Powder coated 1.5 mm (16-gauge) hex perforated steel with acoustically transparent black cloth backing**Dimensions (H x W x D) :** 243 mm x 507 mm x 420 mm
9.5 in x 19.9 in x 16.5 in**Net Weight :** 16.8 kg (37 lbs)
Shipping Weight : 19.4 kg (43 lbs)

ORDERING INFORMATION

SKU : JBL-P3230MX | SRX906LA for Global
JBL-P3246MXCN | SRX906LA for China**Included :** (1) SRX906LA | (1) Neutrik NAC3FX-W-TOP | (1) Neutrik NAC3MX-W-TOP**Footnotes:**

4: System test using IEC shaped pink noise with 9 dB crest factor. System at maximum output without clipping or limiting. Ambient temperature: 20° C. Duration: 5 sec.

5: Two-tone, all channels driven, IMD test at maximum power and a duration of 200 ms.

6: Measured RMS inrush current for a 50 ms window.

7: With use of SRX900 RC1 rain cover (JBL-P3239MX) and front face at -10 degrees or greater down angle. Suspension components fully weather rated for indoor or covered outdoor conditions where humidity is nominally under 50% and not local to bodies of corrosive materials.

SRX910LA

ACOUSTICAL

Frequency Range

(-10 dB) : 53 Hz-19 kHz (array preset)
 (-3 dB) : 60 Hz-18 kHz (array preset)

Coverage Pattern (-6 dB)

Horizontal: 105 degrees nominal (400 Hz-16 kHz)
 Vertical: Varies with array size and configuration

Maximum Peak Output¹: 135 dB

System Type : Line Array, two-way active

TRANSDUCERS

Low Frequency : (2) JBL 261G-1, 10 in diameter, dual 2.0 in diameter voice coil, neodymium Differential Drive®

High Frequency : (1) JBL 2432H-3, 1.5 in exit neodymium compression driver with 3 in voice coil

AUDIO INPUT

Input Type : Balanced line level

Connectors : (2) Neutrik XLR (IN/OUT)

Nominal Input Sensitivity : +6 dBu (system starts limiting with broadband noise and music)

Maximum Input Level : 21 dBu

Input Impedance : 100 kΩ

AMPLIFIER

Type : Class-D

Number of Channels : (2)

Continuous Power² : 600 Watts

LF: 400 Watts | HF: 200 Watts

Peak Power³ : 880 Watts

LF: 580 Watts | HF: 300 Watts

Cooling Type : Convection, external aluminum heat sink, internal on-demand fan

DSP

Sample Rate 48 kHz

Bit Depth : 24 bit

USER INTERFACE

Type : LCD screen, encoder, Back button, (4) LED Indicators (3 single, 1 bi-color)

Footnotes:

- 1: Peak, unweighted SPL, measured under full-space conditions at 1 meter using broadband pink noise with a 12 dB crest factor and specified preset
 2: Bench power: ≥1 sec, 1 kHz, 120 VAC, no DSP, all channels driven
 3: Burst power: ≥20 ms, 1 kHz, 120 VAC, no DSP, all channels driven

NETWORKING

Type : TCP/IP

Protocol : Harman HControl

Speed : Dual 100 Mbps ports

Connectors : (2) Neutrik etherCON®

AC POWER

Voltage Range

Nominal : 100-240 VAC, 50/60 Hz

Limits : 80-260 VAC, 50/60 Hz

Connectors : Dual (IN/OUT) Neutrik powerCON TRUE1 TOP®

CURRENT DRAW

	120 V	208 V	240 V	
Idle :	0.3 A	0.2 A	0.2 A	
Standby :	0.2 A	0.1 A	0.1 A	
Continuous⁴ :	1.9 A	1.1 A	1.0 A	
Maximum Instantaneous Peak⁵ :	7.0 A	6.4 A	6.2 A	
Peak Inrush⁶ :	2.2 A	3.6 A	4.3 A	

PHYSICAL

Enclosure : Polypropylene, aluminum baffle, plywood internal bracing, four integral recessed handholds

IP Rating⁷ : IP54

Suspension : Three-point, captive suspension plates, quick release pins, steel with anti-corrosion coating

Inter-enclosure Angle (deg) : 0.5, 1, 2, 3, 4, 5, 6, 7, 8, 9, 10, 11, 12

Grille : Powder coated 1.5 mm (16-gauge) hex perforated steel with acoustically transparent black cloth backing

Dimensions (H x W x D) : 305 mm x 716 mm x 519 mm
12.0 in x 28.2 in x 20.5 in

Net Weight : 26.7 kg (59 lbs)
Shipping Weight : 30.3 kg (67 lbs)

ORDERING INFORMATION

SKU : JBL-P3234MX | SRX910LA for Global
JBL-P3247MXCN | SRX910LA for China

Included : (1) SRX910LA | (1) Neutrik NAC3FX-W-TOP | (1) Neutrik NAC3MX-W-TOP

Footnotes:

4: System test using IEC shaped pink noise with 9 dB crest factor. System at maximum output without clipping or limiting. Ambient temperature: 20° C. Duration: 5 sec.

5: Two-tone, all channels driven, IMD test at maximum power and a duration of 200 ms.

6: Measured RMS inrush current for a 50 ms window.

7: With use of SRX900 RC1 rain cover (JBL-P3239MX) and front face at -10 degrees or greater down angle to allow the cabinet to drain water. Suspension components fully weather rated for indoor or covered outdoor conditions where humidity is nominally under 50% and not local to bodies of corrosive materials.

SRX918S

ACOUSTICAL

Frequency Range

(-10 dB) : 35 Hz-90 Hz (Preset: 80 Hz)

(-3 dB) : 45 Hz-80 Hz (Preset: 80 Hz)

Coverage Pattern Options¹ : Omnidirectional or CardioidMaximum Peak Output² : 134 dB (Preset: 80 Hz)

System Type : Active Subwoofer

TRANSDUCERS

Low Frequency : (1) JBL 2279G-1, 18 in diameter, 4 ohms, dual 3.0 in diameter voice coil, ferrite Differential Drive®

AUDIO INPUT

Input Type : Balanced line level

Connectors : (2) Neutrik XLR (IN/OUT)

Nominal Input Sensitivity : +6 dBu (system starts limiting with broadband noise and music)

Maximum Input Level : 21 dBu

Input Impedance : 100 k Ω

AMPLIFIER

Type : Class-D

Number of Channels : (1)

Continuous Power³ : 1100 WattsPeak Power⁴ : 2500 Watts

Cooling Type : Convection, external aluminum heat sink, internal on-demand fan

DSP

Sample Rate : 48 kHz

Bit Depth : 24 bit

USER INTERFACE

Type : LCD screen, encoder, Back button, (4) LED Indicators (3 single, 1 bi-color)

Footnotes:

1: Based on speaker preset selection and cabinet orientation/configuration

2: Peak, unweighted SPL, measured under half-space conditions at 1 meter using broadband pink noise with a 12 dB crest factor and specified preset

3: Bench power: ≥ 1 sec, 1 kHz, 120 VAC, no DSP, all channels driven4: Burst power: ≥ 20 ms, 1 kHz, 120 VAC, no DSP, all channels driven

NETWORKING

Type : TCP/IP

Protocol : Harman HControl

Speed : Dual 100 Mbps ports

Connectors : (2) Neutrik etherCON®

AC POWER

Voltage Range

Nominal : 100-240 VAC, 50/60 Hz

Limits : 80-260 VAC, 50/60 Hz

Connectors : Dual (IN/OUT) Neutrik powerCON TRUE1 TOP®

CURRENT DRAW

	120 V	208 V	240 V	
Idle :	0.3 A	0.2 A	0.2 A	
Standby :	0.2 A	0.2 A	0.2 A	
Continuous⁵ :	4.0 A	2.1 A	1.9 A	
Maximum Instantaneous Peak⁶ :	18.1 A	8.6 A	7.3 A	
Peak Inrush⁷ :	2.9 A	5.1 A	5.9 A	

PHYSICAL

Enclosure : 18 mm plywood, Black DuraFlex™ finish, two integral recessed handles

IP Rating⁸ : IP54

Grille : Powder coated 1.8 mm (14-gauge) hex perforated steel with acoustically transparent black cloth backing

Dimensions (H x W x D) : 575 mm x 684 mm x 683 mm
22.6 in x 26.9 in x 26.9 in

Net Weight : 44.5 kg (98 lbs)
Shipping Weight : 51.8 kg (114 lbs)

ORDERING INFORMATION

SKU : JBL-P3241MX | SRX918S for Global
JBL-P3248MXCN | SRX918S for China

Included : (1) SRX918S | (1) Neutrik NAC3FX-W-TOP | (1) Neutrik NAC3MX-W-TOP

Footnotes:

5: System test using IEC shaped pink noise with 9 dB crest factor. System at maximum output without clipping or limiting. Ambient temperature: 20° C. Duration: 5 sec.

6: Two-tone, all channels driven, IMD test at maximum power and a duration of 200 ms.

7: Measured RMS inrush current for a 50 ms window.

8: With use of SRX900 RC1 rain cover (JBL-P3239MX) and front face at 0 degrees or greater down angle to allow the cabinet to drain water. Components fully weather rated for indoor or covered outdoor conditions where humidity is nominally under 50% and not local to bodies of corrosive materials.

SRX928S

ACOUSTICAL

Frequency Range

(-10 dB) : 31 Hz-100 Hz (Preset: 80 Hz)
 (-3 dB) : 39 Hz-80 Hz (Preset: 80 Hz)

Coverage Pattern Options¹ : Omnidirectional or Cardioid

Maximum Peak Output² : 140 dB (Preset: 80 Hz)

System Type : Active Subwoofer

TRANSDUCERS

Low Frequency : (2) JBL 2279H-1, 18 in diameter, 8 ohms, dual 3.0 in diameter voice coil, ferrite Differential Drive[®]

AUDIO INPUT

Input Type : Balanced line level

Connectors : (2) Neutrik XLR (IN/OUT)

Nominal Input Sensitivity : +6 dBu (system starts limiting with broadband noise and music)

Maximum Input Level : 21 dBu

Input Impedance : 100 k Ω

AMPLIFIER

Type : Class-D

Number of Channels : (1)

Continuous Power³ : 1100 Watts

Peak Power⁴ : 2500 Watts

Cooling Type : Convection, external aluminum heat sink, internal on-demand fan

DSP

Sample Rate : 48 kHz

Bit Depth : 24 bit

USER INTERFACE

Type : LCD screen, encoder, Back button, (4) LED Indicators (3 single, 1 bi-color)

Footnotes:

1: Based on speaker preset selection and cabinet orientation/configuration.

2: Peak, unweighted SPL, measured under half-space conditions at 1 meter using broadband pink noise with a 12 dB crest factor and specified preset.

3: Bench power: ≥ 1 sec, 1 kHz, 120 VAC, no DSP, all channels driven.

4: Burst power: ≥ 20 ms, 1 kHz, 120 VAC, no DSP, all channels driven.

NETWORKING

Type : TCP/IP

Protocol : Harman HControl

Speed : Dual 100 Mbps ports

Connectors : (2) Neutrik etherCON®

AC POWER

Voltage Range

Nominal : 100-240 VAC, 50/60 Hz

Limits : 80-260 VAC, 50/60 Hz

Connectors : Dual (IN/OUT) Neutrik powerCON TRUE1 TOP®

CURRENT DRAW

	120 V	208 V	240 V	
Standby :	0.2 A	0.2 A	0.2 A	
Idle :	0.3 A	0.2 A	0.2 A	
Continuous⁵ :	4.8 A	2.4 A	2.1 A	
Maximum Instantaneous Peak⁶ :	18.2 A	8.6 A	7.3 A	
Peak Inrush⁷ :	2.9 A	5.1 A	5.9 A	

PHYSICAL

Enclosure : 18 mm plywood, Black DuraFlex™ finish, four integral recessed handles

IP Rating⁸ : IP54

Grill : Powder coated 1.8 mm (14-gauge) hex perforated steel with acoustically transparent black cloth backing

Dimensions (H x W x D) : 565 mm x 1,205 mm x 681 mm
22.2 in x 47.4 in x 26.8 in

Net Weight : 70.3 kg (155 lbs)
Shipping Weight : 81.8 kg (180 lbs)

ORDERING INFORMATION

SKU : JBL-P3243MX | SRX928S for Global
JBL-P3249MXCN | SRX928S for China

Included : (1) SRX928S | (1) Neutrik NAC3FX-W-TOP | (1) Neutrik NAC3MX-W-TOP

Footnotes:

5: System test using IEC shaped pink noise with 9 dB crest factor. System at maximum output without clipping or limiting. Ambient temperature: 20° C. Duration: 5 sec.

6: Two-tone, all channels driven, IMD test at maximum power and a duration of 200 ms.

7: Measured RMS inrush current for a 50 ms window.

8: With use of SRX900 RC1 rain cover (JBL-P3239MX) and front face at 0 degrees or greater down angle to allow the cabinet to drain water. Components fully weather rated for indoor or covered outdoor conditions where humidity is nominally under 50% and not local to bodies of corrosive materials.

18 - REGULATORY SPECIFICATIONS

REGULATORY SPECIFICATIONS

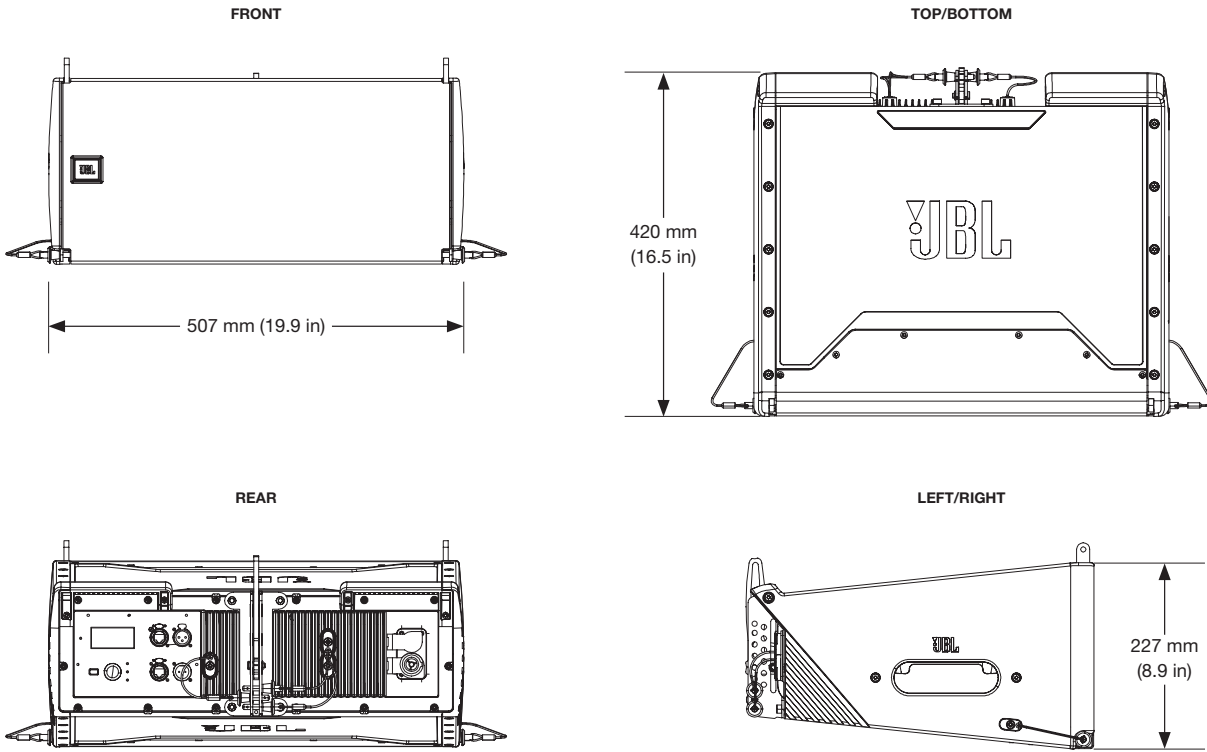
Operating Temperature Range : 0-40° C (32-104° F)

Maximum Operating Altitude : 2000 m (6,561 ft.)

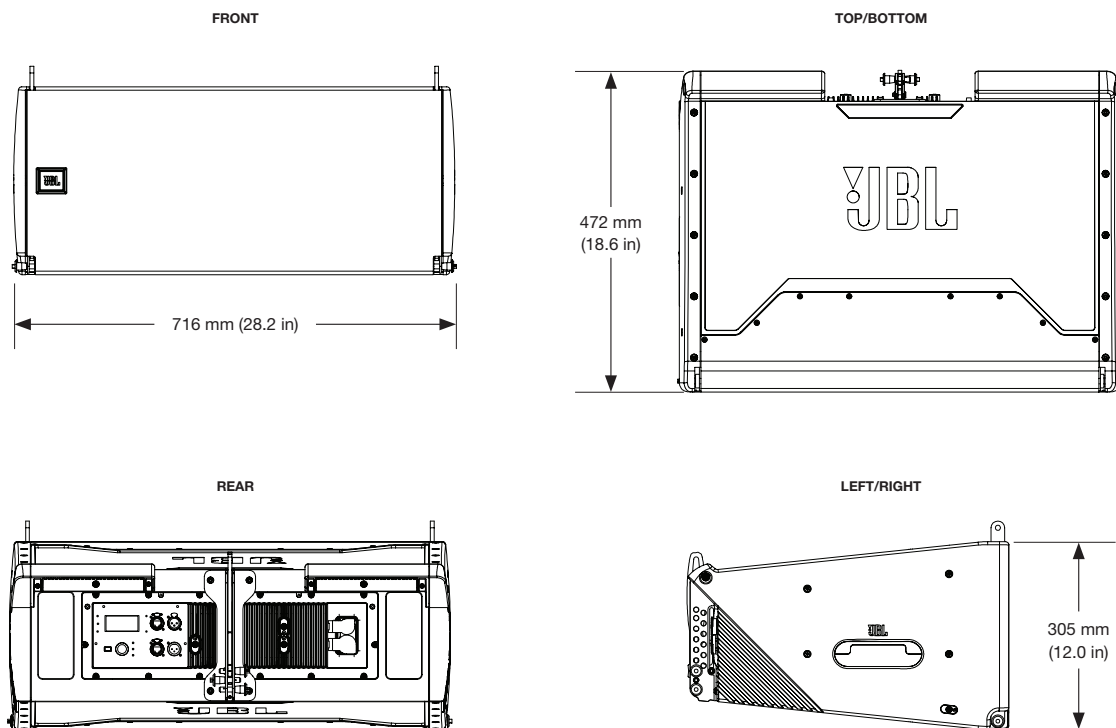
Safety Voltage Range : 100-240 VAC, 50/60 Hz

19 - DIMENSIONS

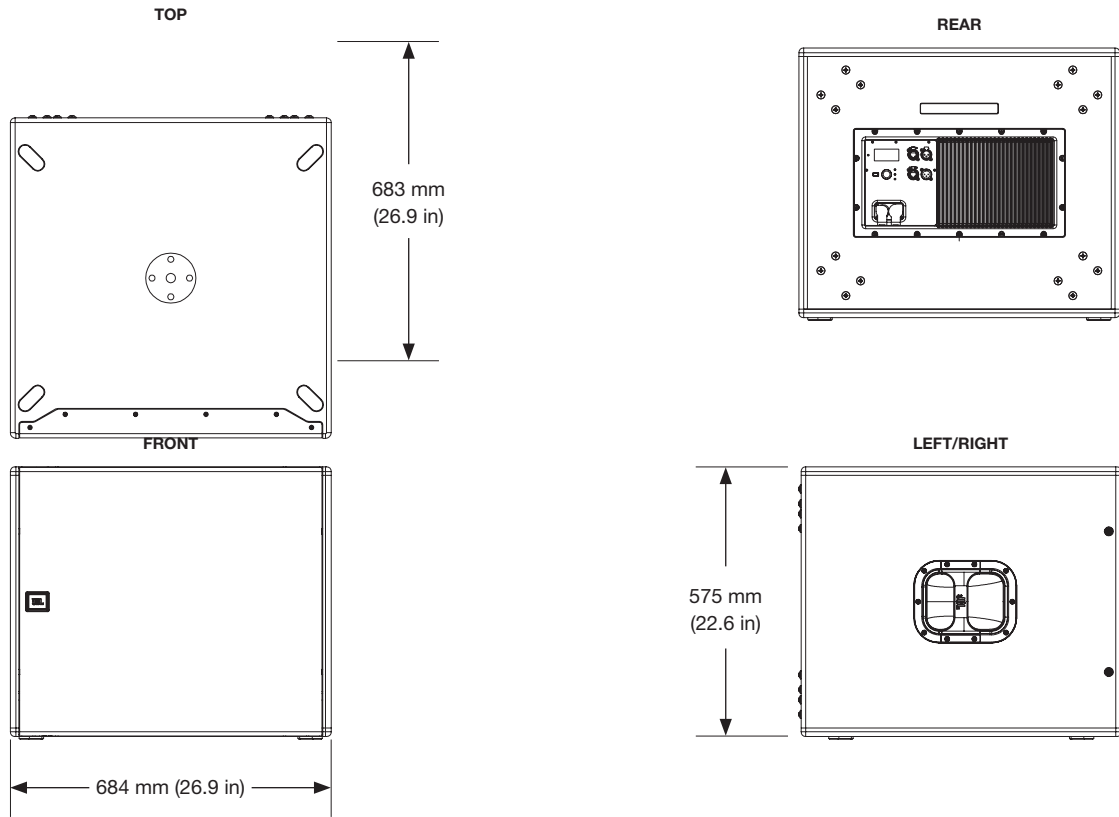
SRX906LA



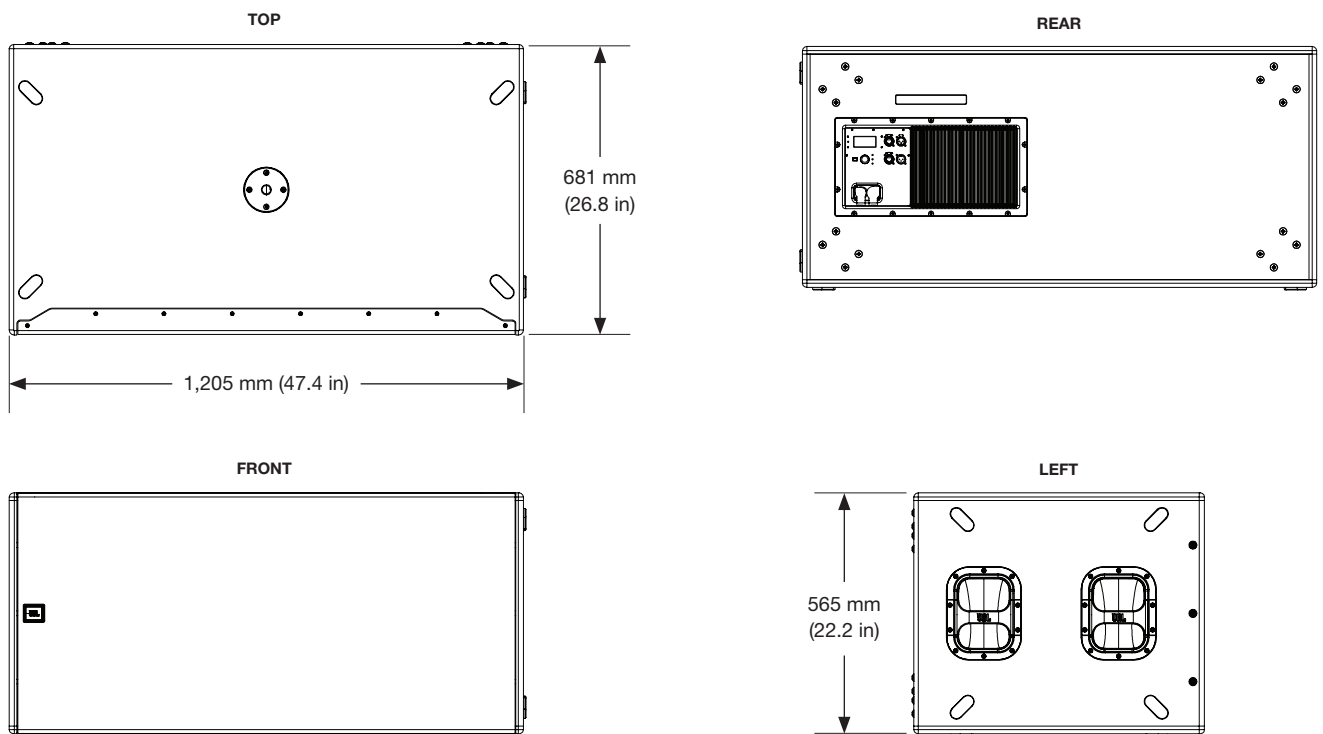
SRX910LA



SRX918S



SRX928S



20 - CONTACT INFORMATION

UNITED STATES OF AMERICA

HARMAN Professional Solutions

8500 Balboa Blvd.
Northridge, CA 91329
USA
+1 (844) 776-4899
www.jblpro.com

U.S.A. Technical Support

+1 (800) 852-5776
HProTechSupportUSA@Harman.com
www.jblpro.com

PROFESSIONAL CONTACTS, OUTSIDE THE U.S.A.:

Contact the JBL Professional distributor in your area. A complete list of JBL Professional international distributors is provided at our U.S.A. website: www.jblpro.com

HARMAN Professional EMEA

Westside
London Road
Hemel Hempstead
HP3 9TD
United Kingdom
www.pro.harman.com
www.jblpro.com/support

HARMAN Professional APAC

108 Pasir Panjang Road
#02-08 Golden Agri Plaza
Singapore 118535
+65 6870-5000
www.pro.harman.com
www.jblpro.com/support

HARMAN Professional China

20F, China Merchants Port Plaza, #1
Gongye 3rd Road, Shekou, Nanshan
Dist.
Shenzhen, 518067, China
400 166 7806
www.harman.com/China

China In-Country Support

ChinaPRO.Service@harman.com

HARMAN Professional India

Prestige Technology Park
Jupiter 2A Block, 4th Floor
Marathahalli Ring Road
Bangalore 560103, India
+1 (800) 208-8880
www.harman.com/India

HARMAN Professional Brazil

Br386, Km435 92480-000
Nova Santa Rita Rs
Brazil
+55 51 34794000
www.harman.com/Brasil
www.jblaudio.com.br

India In-Country Support

www.harman.com/india/india-service-center

Brazil In-Country Support

tecnica@harman.com

