

# XNO-C8083R

6MP AI IR Bullet Camera



FC | UL LISTED | CE | EAC

## Key Features

- 6MP resolution
- 4.4~9.3mm (2.1x) motorized varifocal
- Color: 0.04Lux (F1.3, 1/30sec, 30IRE), 0Lux (IR LED on)
- Maximum 30fps@6MP (H.265/H.264)
- WiselR: IR viewable length 40m (131.23ft)
- Day & Night (ICR), extremeWDR (120dB), WiseNR II (Using AI engine)
- H.265, H.264, MJPEG, WiseStream II, WiseStreamIII (Using AI engine)
- DIS with built-in Gyro sensor
- Analytics events based on AI engine (NPU) : Object detection (Person/Face/Vehicle - car, truck, bus, bicycle, motorcycle/License plate),  
IVA (Virtual line/Area, Enter/Exit, Loitering, Direction, Intrusion)
- Analytics events : Defocus detection, Motion detection, Tampering, Fog detection  
Audio detection, Sound classification, Shock detection, Appear/Disappear
- IP66, IP67, NEMA4X, IK10

| <b>Video</b>                       |  |
|------------------------------------|--|
| <b>Imaging Device</b>              | 1/1.8" progressive CMOS  |
| <b>Resolution</b>                  | 3328x1872, 3072x1728, 2592x1944, 2688x1520, 1920x1080, 1600x1200, 1280x1024, 1280x960, 1280x720, 1024x768, 800x600, 800x448, 720x576, 720x480, 640x480, 640x360, 320x240   |
| <b>Max. Framerate</b>              | H.265/H.264: Max. 30fps/25fps(60Hz/50Hz)<br>MJPEG: Max. 15fps/12fps(60Hz/50Hz)   |
| <b>Min. Illumination</b>           | Color: 0.04Lux(F1.3, 1/30sec, 30IRE)<br>B/W : 0.004Lux(F1.3, 1/30sec, 30IRE), 0Lux(IR LED on)  |
| <b>Video Out</b>                   | USB: Micro USB Type B, 1280x720 for installation   |
| <b>Lens</b>                        |  |
| <b>Focal Length (Zoom Ratio)</b>   | 4.4~9.3mm(2.1x) motorized varifocal  |
| <b>Max. Aperture Ratio</b>         | F1.3(Wide) ~ F2.15(Tele)   |
| <b>Angular Field of View</b>       | H : 112.1°(Wide)~47.5°(Tele)<br>V : 58.0°(Wide)~26.6°(Tele)<br>D : 137.5°(Wide)~54.6°(Tele)  |
| <b>Min. Object Distance</b>        | 0.5m(1.64ft)   |
| <b>Focus Control</b>               | Simple focus, Manual   |
| <b>Lens Type</b>                   | P-iris(IR corrected)   |
| <b>Operational</b>                 |  |
| <b>Camera Title</b>                | Displayed up to 85 characters  |
| <b>Day &amp; Night</b>             | Auto(ICR)  |
| <b>Backlight Compensation</b>      | BLC, HLC, WDR, SSSDR   |
| <b>Wide Dynamic Range</b>          | extremeWDR (120dB)   |
| <b>Digital Noise Reduction</b>     | WiseNR II (Based on AI engine), SSNR V   |
| <b>Digital Image Stabilization</b> | Support(built-in gyro sensor)  |
| <b>Defog</b>                       | Support  |
| <b>Motion Detection</b>            | 8ea, 8point Polygonal zones  |
| <b>Privacy Masking</b>             | 32ea, Quadrangle zones<br>- Color : Gray, Green, Red, Blue, Black, White<br>- Mosaic   |
| <b>Gain Control</b>                | Support  |
| <b>White Balance</b>               | ATW / Narrow ATW / AWC / Manual / Indoor / Outdoor   |
| <b>LDC</b>                         | Support (Fill/stretch mode)  |
| <b>Electronic Shutter Speed</b>    | Minimum / Maximum / Anti flicker (2~1/12,000sec)<br>prefer shutter control(Based on AI engine)   |
| <b>Video Rotation</b>              | Flip, Mirror, Hallway view(90°/270°)   |
| <b>Analytics</b>                   | - Analytics events based on AI engine : Object detection (Person/Face/Vehicle(car/bus/truck/motorcycle/bicycle)/License plate), IVA (Virtual line/Area, Enter/Exit, Loitering, direction, Appear/Disappear, intrusion)<br>- Analytics events : Defocus detection, Motion detection, Tampering, Fog detection, Audio detection, Sound classification, Shock detection |
| <b>Business Intelligence</b>       | Based on AI engine : People counting, Queue management, Heatmap  |

|                                       |  |
|---------------------------------------|--|
| Alarm I/O                             | 2 configurable I/O ports   |
| Alarm Triggers                        | Analytics, Network disconnect, Alarm input, App event, Time schedule   |
| Alarm Events                          | When alarm trigger occurred<br>- File upload(image) : e-mail/FTP<br>- Notification : e-mail<br>- Recording : SD/SDHC/SDXC or NAS recording at event triggers<br>- Alarm output<br>- Handover(PTZ preset, Send message by HTTP/HTTPS/TCP)<br>- Audio clip playback  |
| Audio In                              | Selectable(mic in/line in)<br>Supply voltage: 2.5VDC(4mA), Input impedance: 2K Ohm   |
| Audio Out                             | Line out, Max.output level: 1Vrms  |
| IR Viewable Length                    | WiselR 40m(131.23ft)   |
| <b>Network</b>                        |  |
| Ethernet                              | Metal shielded RJ-45(10/100BASE-T)   |
| Video Compression                     | H.265/H.264: Main/High, MJPEG  |
| Audio Compression                     | G.711 u-law /G.726 Selectable<br>G.726(ADPCM) 8KHz, G.711 8KHz<br>G.726: 16Kbps, 24Kbps, 32Kbps, 40Kbps<br>AAC-LC: 48Kbps at 16KHz   |
| Smart Codec                           | Manual(5ea area), WiseStream II , WiseStreamIII(Based on AI engine)  |
| Bitrate Control                       | H.264/H.265: CBR or VBR<br>MJPEG: VBR  |
| Streaming                             | Unicast(20 users) / Multicast<br>Multiple streaming(Up to 10 profiles, 3 virtual channel support)  |
| Protocol                              | IPv4, IPv6, TCP/IP, UDP/IP, RTP(UDP), RTP(TCP), RTCP,RTSP, NTP, HTTP, HTTPS, SSL/TLS, DHCP, FTP, SMTP, ICMP, IGMP, SNMPv1/v2c/v3(MIB-2), ARP, DNS, DDNS, QoS, UPnP, Bonjour, LLDP, SRTP (TCP, UDP Unicast)   |
| Security                              | HTTPS(SSL) Login Authentication<br>Digest Login Authentication<br>IP Address Filtering<br>User access log<br>802.1X Authentication(EAP-TLS, EAP-LEAP, EAP-PEAP MSCHAPv2)<br>Device Certificate(Hanwha Techwin Root CA, pre-installed)<br>Secure by default certificate<br>HTPM (Hanwha Trusted platform module)<br>Secure OS/Boot/Storage, Verify firmware forgery<br>CyberSecurity assurance program UL CAP (UL 2900-1) |
| Application Programming Interface     | ONVIF Profile S/G/T<br>SUNAPI(HTTP API)<br>Wisenet open platform   |
| <b>General</b>                        |  |
| Webpage Language                      | English, Korean, Chinese, French, Italian, Spanish, German, Japanese, Russian, Swedish,, Portuguese, Czech, Polish, Turkish, Dutch, Greek, Hungarian   |
| Edge Storage                          | Micro SD/SDHC/SDXC 1slot 512GB   |
| Memory                                | 4GB RAM, 512MB Flash   |
| <b>Environmental &amp; Electrical</b> |  |

|   |   |
|---|---|
| <b>Operating Temperature / Humidity</b> | -40°C~+55°C(-40°F ~ +131°F)<br>* Maximum temperature : +60°C (intermittent)<br>* Start up should be done at above -20°C<br>NEMA TS-2 : 74°C<br>0~95%RH(non-condensing)<br>Humidity control /w GORE vent |
| <b>Storage Temperature / Humidity</b>   | -50°C ~ +60°C(-58°F ~ +140°F) / Less than 90% RH  |
| <b>Certification</b>                    | IP66/IP67/NEMA4X, IK10  |
| <b>Input Voltage</b>                    | PoE(IEEE802.3af, Class3), 12VDC   |
| <b>Power Consumption</b>                | PoE: Max 12.95W, typical 11.2W<br>12VDC: Max 13.2W, typical 10.8W   |

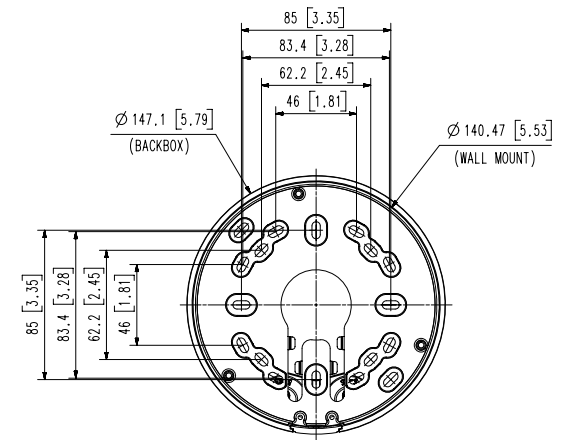
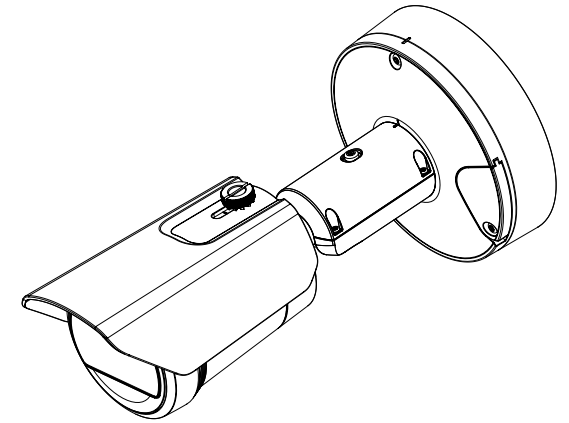
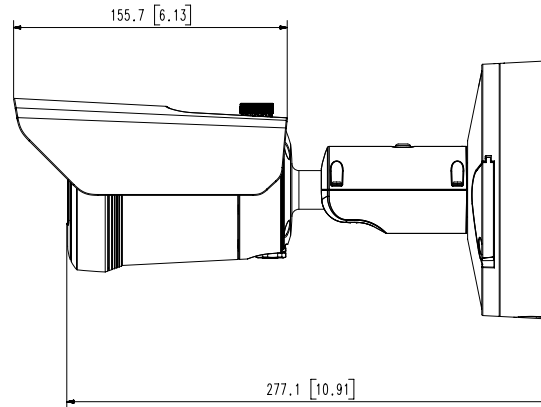
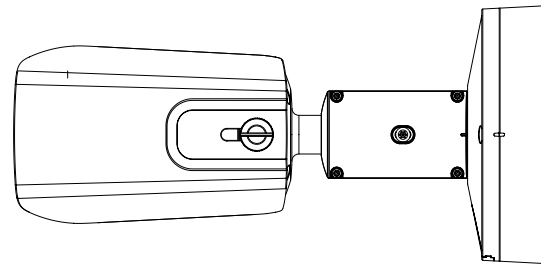
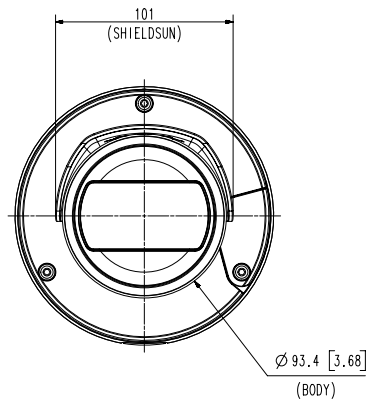
|                   |  |
|-------------------|--|
| <b>Mechanical</b> |  |
|-------------------|--|

|  |   |
|--|---|
| <b>Color / Material</b>                  | White / Aluminum + PC<br>Hard-coated window                         |
| <b>RAL Code</b>                          | RAL9003   |
| <b>Product Dimensions / Weight</b>       | Ø93.4x276.6mm(Ø3.68x10.89"), 1640g(3.62 lb)                         |
| <b>Compatible Conduit hole / Gangbox</b> | SBO-147BA(Sold seperately)<br>single, double, 4" octagon, 4" square |

|                                  |  |
|----------------------------------|--|
| <b>DORI (EN62676-4 standard)</b> |  |
|----------------------------------|--|

|                                  |  |
|----------------------------------|--|
| <b>Detect (25PPM/ 8PPF)</b>      | Wide: 44.8m(147.02ft) / Tele: 151.3m(496.29ft) |
| <b>Observe (63PPM/ 19PPF)</b>    | Wide: 17.9m(58.81ft) / Tele: 60.5m(198.52ft)   |
| <b>Recognize (125PPM/ 38PPF)</b> | Wide: 9.0m(29.4ft) / Tele: 30.3m(99.26ft)      |
| <b>Identify (250PPM/ 76PPF)</b>  | Wide: 4.5m(14.7ft) / Tele: 15.1m(49.63ft)      |

- The latest product information / specification can be found at [hanwha-security.com](http://hanwha-security.com)
- Design and specifications are subject to change without notice.
- Wisenet is the proprietary brand of Hanwha Techwin, formerly known as Samsung Techwin.



| 4   | XNO-C6083R | '21.09.24 |
|-----|------------|-----------|
| 3   | XNO-C7083R | '21.09.24 |
| 2   | XNO-C8083R | '21.09.24 |
| 1   | XNO-C9083R | '21.09.24 |
| No. | MODEL NAME | DATE      |

Unit:mm[inch] SCALE:1/2 © Hanwha Techwin

A2

© Hanwha Techwin Co.,Ltd. All rights reserved.