

NDI-4512-AL Fixed dome 2MP HDR 3-9mm IR

FLEXIDOME IP 4000i IR



The 1080p dome cameras from Bosch are professional surveillance cameras that provide high quality HD images for demanding security and surveillance network requirements. These domes are true day/night cameras offering excellent performance day or night.

The built-in active infrared illuminator provides high performance in extreme low-light environments.

System overview

Easy to install stylish indoor dome

Ideal for indoor use, the stylish design is suitable for installations where appearance and flexible coverage are important. The varifocal lens allows you to choose the coverage area to best suit your application. Using the proprietary pan/tilt/rotation mechanism, installers can select the exact field of view. Mounting options are numerous, including surface, wall, and suspended-ceiling mounting.

The automatic zoom/focus lens wizard makes it easy for an installer to accurately zoom and focus the camera for both day and night operation. The wizard is activated from the PC or from the on-board camera push button making it easy to choose the workflow that suits best.

The AVF (Automatic Varifocal) feature means that the zoom can be changed without opening the camera. The automatic motorized zoom/focus adjustment with 1:1 pixel mapping ensures the camera is always accurately focused.



- ▶ Easy to install with auto zoom/focus lens, wizard and pre-configured modes
- ▶ Built-in Essential Video Analytics to trigger relevant alerts and quickly retrieve data
- ▶ Fully configurable H.265 multi-streaming
- ▶ High Dynamic Range to see every detail in both bright and dark areas of the scene
- ▶ IR version with 45 m (148 ft) viewing distance

Functions

Essential Video Analytics

The built-in video analysis reinforces the Intelligence-at-the-Edge concept and now delivers even more powerful features. Essential Video Analytics is ideal for use in controlled environments with limited detection ranges.

The system reliably detects, tracks, and analyzes objects, and alerts you when predefined alarms are triggered. A smart set of alarm rules makes complex tasks easy and reduces false alarms to a minimum. Metadata is attached to your video to add sense and structure. This enables you to quickly retrieve the relevant images from hours of stored video. Metadata can also be used to deliver irrefutable forensic evidence or to optimize business processes based on people counting or crowd density information. Calibration is quick and easy – just enter the height of the camera. The internal gyro/accelerometer sensor provides the rest of the information to precisely calibrate the video analytics.

Fast performance

The 60 frames per second mode provides for optimum performance in fast action scenes that ensures no critical data is lost.

Starlight performance

The latest sensor technology combined with the sophisticated image processing and noise suppression results in an exceptional sensitivity in color. The low-light performance is so good that the camera continues to provide excellent color performance even with a minimum of ambient light.

High Dynamic Range

The camera has High Dynamic Range. This is based on a multiple-exposure process that captures more details in the highlights and in the shadows even in the same scene. The result is that you can easily distinguish objects and features, for example, faces with bright backlight.

The actual dynamic range of the camera is measured using Opto-Electronic Conversion Function (OECF) analysis according to IEC 62676 Part 5. This method is used to provide a standard result which can be used to compare different cameras.

Intelligent streaming reduces bandwidth and storage requirements

The low-noise image and the efficient H.265 compression technology provide clear images while reducing bandwidth and storage by up to 80% compared to standard H.264 cameras. With this new generation of cameras an extra level of intelligence is added with Intelligent Streaming. The camera provides the most usable image possible by cleverly optimizing the detail-to-bandwidth ratio. The smart encoder continuously scans the complete scene as well as regions of the scene and dynamically adjust compression based on relevant information like movement. Together with Intelligent Dynamic Noise Reduction, which actively analyzes the contents of a scene and reduces noise artifacts accordingly, bitrates are reduced by up to 80%. Because noise is reduced at the source during image capture, the lower bitrate does not compromise image quality. This results in substantially lower storage costs and network strain and still retain a high image quality and smooth motion.

Bitrate optimized profile

The average typical optimized bitrate in kbits/s for various frame rates when in H.265 mode is shown in the table:

| fps | 1080p | 720p |
|-----|-------|------|
| 60 | 712 | 525 |
| 30 | 600 | 450 |
| 12 | 438 | 329 |
| 5 | 284 | 213 |
| 2 | 122 | 92 |

Multiple streams

The multi-streaming feature delivers various H.264 or H.265 streams together with an M-JPEG stream. These streams facilitate bandwidth-efficient viewing and recording as well as integration with third-party video management systems.

The camera can run multiple independent streams that allows to set a different resolution and frame rate on the first and second stream. The user can also choose to use a copy of the first stream.

The third stream uses the I-frames of the first stream for recording; the fourth stream shows a JPEG image at a maximum of 10 Mbit/s.

Two-way audio and audio alarm

Two-way audio allows the operator to communicate with visitors or intruders via an external audio line input and output. Audio detection can be used to generate an alarm if needed.

If required by local laws, the microphone can be permanently blocked via a secure license key.

Tamper and motion detection

A wide range of configuration options is available for alarms signaling camera tampering. A built-in algorithm for detecting movement in the video can also be used for alarm signaling.

Storage management

Recording management can be controlled by the Bosch Video Recording Manager (Video Recording Manager) or the camera can use iSCSI targets directly without any recording software.

Edge recording

The MicroSD card slot supports up to 2 TB of storage capacity. A microSD card can be used for local alarm recording. Pre-alarm recording in RAM reduces recording bandwidth on the network, or — if microSD card recording is used — extends the effective life of the storage medium.

Cloud-based services

The camera supports time-based or alarm-based JPEG posting to four different accounts. These accounts can address FTP servers or cloud-based storage facilities (for example, Dropbox). Video clips or JPEG images can also be exported to these accounts.

Alarms can be set up to trigger an e-mail or SMS notification so you are always aware of abnormal events.

Easy installation

Power for the camera can be supplied via a Power-over-Ethernet compliant network cable connection. With this configuration, only a single cable connection is required to view, power, and control the camera. Using PoE makes installation easier and more cost-effective, as cameras do not require a local power source.

The camera can also be supplied with power from +12 VDC/24 VAC power supplies. To increase system reliability, the camera can be simultaneously connected to both PoE and +12 VDC/24 VAC supplies. Additionally, uninterruptible power supplies (UPS) can be used, which will allow continuous operation, even during a power failure.

For trouble-free network cabling, the camera supports Auto-MDIX which allows the use of straight or cross-over cables.

Automatic image rotation

The integrated gyro/accelerometer sensor automatically corrects the image orientation in steps of 90° if the camera is mounted at right angles or upside down. The sensor image can also be rotated manually through steps of 90°.

To efficiently capture details in long hallways without loss of resolution, mount the camera at right angles. The image is displayed upright at full resolution on your monitor.

True day/night switching

The camera incorporates mechanical filter technology for vivid daytime color and exceptional night-time imaging while maintaining sharp focus under all lighting conditions.

Hybrid mode

An analog video output enables the camera to operate in hybrid mode. This mode provides simultaneous high resolution HD video streaming and an analog video output via an SMB connector. The hybrid functionality offers an easy migration path from legacy CCTV to a modern IP-based system.

DORI coverage

DORI (Detect, Observe, Recognize, Identify) is a standard system (EN-62676-4) for defining the ability of a camera to distinguish persons or objects within a covered area. The maximum distance at which a camera/lens combination can meet these criteria is shown below:

1080p camera with 3-9 mm lens

| DORI | DORI definition | Distance | Horizontal width |
|-----------|-----------------|-----------------|------------------|
| | | 3 mm / 9 mm | |
| Detect | 25 px/m | 32 m / 126 m | 77 m |
| | 8 px/ft | 104 ft / 412 ft | 252 ft |
| Observe | 63 px/m | 13 m / 50 m | 30 m |
| | 19 px/ft | 41 ft / 164 ft | 100 ft |
| Recognize | 125 px/m | 6 m / 25 m | 15 m |
| | 38 px/ft | 21 ft / 82 ft | 50 ft |
| Identify | 250 px/m | 3 m / 13 m | 8 m |
| | 76 px/ft | 10 ft / 41 ft | 25 ft |

Data security

Special measures have been put in place to ensure the highest level of security for device access and data transport. The three-level password protection with security recommendations allows users to customize device access. Web browser access can be protected using HTTPS and firmware updates can also be protected with authenticated secure uploads.

The on-board Trusted Platform Module (TPM) and Public Key Infrastructure (PKI) support, guarantee superior protection from malicious attacks. The 802.1x network authentication with EAP/TLS, supports TLS 1.2 with updated cipher suites including AES 256 encryption.

The advanced certificate handling offers:

- Self-signed unique certificates automatically created when required
- Client and server certificates for authentication
- Client certificates for proof of authenticity
- Certificates with encrypted private keys

Complete viewing software

There are many ways to access the camera's features: using a web browser, with the Bosch Video Management System, with the free-of-charge Bosch Video Client or Video Security Client, with the video security mobile app, or via third-party software.

System integration

The camera conforms to the ONVIF Profile S, ONVIF Profile G, and ONVIF Profile M specifications. This guarantees interoperability between network video products regardless of manufacturer.

Third-party integrators can easily access the internal feature set of the camera for integration into large projects. Visit the Bosch Integration Partner Program (IPP) website (ipp.boschsecurity.com) for more information.

Regulatory information

HD standards

Complies with the SMPTE 274M-2008 Standard in:

- Resolution: 1920x1080
- Scan: Progressive
- Color representation: complies with ITU-R BT.709
- Aspect ratio: 16:9
- Frame rate: 25 and 30 frames/s

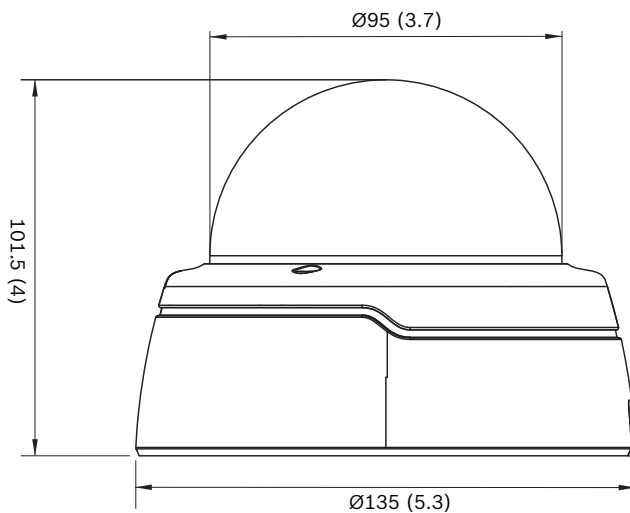
Complies with the SMPTE 296M-2001 Standard in:

- Resolution: 1280x720
- Scan: Progressive
- Color representation: complies with ITU-R BT.709
- Aspect ratio: 16:9
- Frame rate: 25 and 30 frames/s

| Standards | |
|-----------|---|
| | IEC 62471) |
| | EN 60950-1 |
| | UL 60950-1 |
| | CAN/CSA-C22.2 NO. 60950-1-03 |
| | EN 50130-4 |
| | EN 50130-5, Class II (indoor in general, fixed equipment) |

| | |
|-------------------------------|-------------------------------------|
| | FCC Part15 Subpart B, Class B |
| | EMC directive 2014/30/EU |
| | EN 55032 class B |
| | EN 55024 |
| | AS/NZS CISPR 32 (equal to CISPR 32) |
| | ICES-003 Class B |
| | VCCI J55022 V2/V3 |
| | EN 50121-4:2016 |
| ONVIF compliance | EN 50132-5-2; IEC 62676-2-3 |
| Product certifications | CE, FCC, UL, cUL |

Installation/configuration notes



Parts included

| Quantity | Component |
|----------|--------------------------|
| 1 | Camera |
| 1 | Quick installation guide |
| 1 | Safety instructions |
| 1 | Camera screw kit |

Technical specifications

Electrical

| | |
|---|--|
| Input voltage (AC) | 24 VAC ± 10% |
| Input voltage (DC) | 12 VDC ± 5% |
| PoE input | PoE IEEE 802.3af / 802.3at Type 1, Class 3 |
| PoE nominal voltage (VDC) | 48 VDC |
| Power consumption VDC (W) (typical – maximum) | 10.8 W |
| Power consumption VAC (W) (typical – maximum) | 8.75 W |
| Power consumption PoE (W) (typical – maximum) | 9.2 W |

Sensor

| | |
|-----------------------------|-------------------|
| Total sensor pixels (MP) | 2 MP (approx.) |
| Sensor type | 1/2.8 inch CMOS |
| Effective pixels (H x V px) | 1920 px x 1080 px |

Optical

| | |
|------------------------|-------------------------------|
| Lens type | 3 mm to 9 mm |
| Lens mount | Board mounted |
| F-stop | 1.3 - 360 |
| Iris control | Automatic; DC-iris |
| IR corrected | Yes |
| Day / Night | Switched mechanical IR filter |
| Zoom/focus control | Motorized |
| Field of View wide (°) | 37° – 106° |
| Field of View tele (°) | 21° – 55° |

Video functions

| | |
|----------------------|--|
| Day/night modes | Auto (adjustable switch points); Color; Monochrome |
| Camera functionality | Mirror image; Rotation 90°; Rotation 180°; Flip image; Geolocation; Backlight compensation (BLC); Intelligent dynamic noise reduction; Contrast enhancement; Sharpness |

| | |
|---|---|
| | enhancement; Intelligent defog; Pixel counter; Saturation; Brightness; Video watermarking; Display stamping; Location; Rotation 0°; Rotation 270° |
| White balance (K) | 2500 K – 10000 K |
| White balance modes | Basic; Standard; Sodium vapor; Dominant color; Manual mode; Hold mode; 4 automatic modes |
| Shutter modes | Automatic Electronic Shutter (AES); Default shutter; Fixed (1/25[30] to 1/15000) selectable |
| Number of privacy masks | 8 independent areas, fully programmable |
| Scene modes with scheduler | Standard; Sodium lighting; Vibrant; Sports & gaming; Retail; License plate recognition; Fast movement; Sensitivity boost; Dynamic backlight; Color only |
| Minimum illumination in color (lx) | 0.0225 lx (3100K, reflectivity 89%, 1/25, F1.3, 30IRE) |
| Minimum illumination in monochrome (lx) | 0.0051 lx (3100K, reflectivity 89%, 1/25, F1.3, 30IRE) |
| Minimum illumination with IR (lx) | 0.0 lx (3100K, reflectivity 89%, 1/25, F1.3, 30IRE) |
| Wide dynamic range (WDR) (dB) | 146 dB |
| Measured according to IEC 62676 Part 5 (dB) | 107 dB |

Video streaming

| | |
|----------------------------------|---|
| Video compression | H.264 (ISO/IEC 14496-10); M-JPEG; H.265/HEVC |
| Number of encoder output streams | Multiple configurable streams in H.265; Configurable framerate and bandwidth; Region of Interest (ROI); Multiple configurable streams in H.264; Multiple configurable streams in M-JPEG |
| Camera processing latency | <120ms (maximum average at 1080p60) |
| GOP structure | IP; IBP; IBBP |
| Encoding interval | 1 to 50 [60] fps |

| | |
|---|--|
| Encoding regions | Up to 8 areas with encoder quality settings per area |
| Video stream signal-to-noise ratio (dB) | >55 dB |
| Noise reduction | Intelligent Dynamic Noise Reduction with separate temporal and spatial adjustments |
| Resolution | 1920 x 1080; 1280 x 720; 768 x 432; 640 x 480; 1536 x 864; 720 x 480 |

Video content analysis

| | |
|------------------|---|
| Analysis type | Essential Video Analytics |
| Alarm triggers | Line crossing; Enter / leave field; Loitering; Follow route; Idle / removed object; Counting; Crowd density estimation; 3D tracking; Rule based alarms and tracking; Audio detection (if microphone used) |
| Calibration | Automatic based on gyro / accelerometer data and camera height |
| Tamper detection | Maskable |
| Audio detection | Detection of audio to generate an alarm |

Night vision

| | |
|-------------------|----------------------------------|
| Built-in IR (m) | 45 m |
| Built-in IR (ft) | 148 ft |
| Number of IR LEDs | 10 high efficiency array, 850 nm |
| IR intensity | Manually adjustable |

Inputs and outputs

| | |
|------------------------|--|
| Analog video out | SMB connector, CVBS (PAL/NTSC), 1 Vpp, 75 Ohm, approx. 500 TVL |
| Audio input | 1 built-in microphone; line-in |
| Audio line in | 0.707 Vrms max, 10 kOhm typical |
| Audio output | 1 Line-out |
| Audio line out | 0.707 Vrms at 16 Ohm typical |
| Alarm input activation | Short or DC 5V activation |

| | |
|------------------------------------|--|
| Alarm output voltage | 30 VDC, max. load 0.5 A |
| Ethernet | RJ45 |
| Capacity | |
| Alarm inputs | 1 |
| Alarm outputs | 1 |
| Number of RJ45 connections | 1 |
| Audio | |
| Audio input | built-in microphone; line-in (Built-in microphone can be permanently disabled) |
| Audio output | Line-out |
| Compression and sampling rate | G.711 8 kHz; L16 16 kHz; AAC-LC 80kbps 16 kHz; AAC-LC 48kbps 16 kHz |
| Minimum signal-to-noise ratio (dB) | 50 dB |
| Audio streaming | Full duplex; Half duplex |
| Storage | |
| Internal RAM | 5 s pre-alarm recording |
| Memory card slot | Micro SDHC; Micro SDXC (Supports up to 32 GB microSDHC / 2 TB microSDXC card. A memory card of Class 6 or higher is recommended for HD recording.) |
| Recording mode | Continuous (ring); Scheduled; Alarm; Event |
| Data security | |
| Encryption | TLS 1.2; TLS 1.0; AES 256; AES 128 |
| Firmware | |
| Common Product Platform | CPP7.3 |
| Network | |
| Ethernet type | 10/100BASE-T; Auto-sensing; Full / half duplex |

System integration

| | |
|-----------------------|---|
| Protocols / standards | IPv4; IPv6; UDP; TCP; HTTP; HTTPS; RTP/RTCP; IGMP V2/V3; ICMP; ICMPv6; RTSP; FTP; ARP; DHCP; APIPA (Auto-IP, link local address); NTP (SNTP); SNMP (V1, MIBII); SNMP (V3, MIBII); 802.1x, EAP/TLS; DNS; DNSv6; DDNS (DynDNS.org, selfHOST.de, no-ip.com); SMTP; iSCSI; UPnP (SSDP); DiffServ (QoS); LLDP; SOAP; CHAP; Digest authentication; Dropbox™ |
| Conformity | ONVIF Profile S; ONVIF Profile G; Auto-MDIX; ONVIF Profile M |

Mechanical

| | |
|---|---------------------------------|
| 3-axis adjustment (pan / tilt / rotation) | 350° / 130° / 350° |
| Dimension (Ø x H) (mm) | 135 mm x 102 mm |
| Dimension (Ø x H) (in) | 5.32 in x 4 in |
| Weight (g) | 450 g |
| Weight (lb) | 0.99 lb |
| Color | White, Traffic black |
| Color in RAL | RAL 9003 Signal white, RAL 9017 |
| Bubble material | Polycarbonate |
| Coating type | Clear with anti-scratch coating |

Environmental

| | |
|---|-----------------|
| Operating temperature (°C) | -20 °C – 50 °C |
| Operating temperature (°F) | -4 °F – 122 °F |
| Storage temperature (°C) | -30 °C – 70 °C |
| Storage temperature (°F) | -22 °F – 158 °F |
| Operating relative humidity, non-condensing (%) | 5% – 93% |
| Country of origin | Portugal |

Ordering information

NDI-4512-AL Fixed dome 2MP HDR 3-9mm IR

Professional IP dome camera for indoor HD 60 fps surveillance with H.265, Essential Video Analytics and integrated infrared.

Order number **NDI-4512-AL | F.01U.403.296**

Accessories

BUB-CLR-FDI Bubble, clear, indoor

Clear polycarbonate bubble for dome camera
Indoor

Order number **BUB-CLR-FDI | F.01U.319.963**

BUB-TIN-FDI Bubble, tinted, indoor

Tinted polycarbonate bubble for dome camera.
Indoor

Order number **BUB-TIN-FDI | F.01U.319.961**

NBN-MCSMB-03M Cable, SMB to BNC, camera-cable, 0.3m

0.3 m (1 ft) analog cable, SMB (female) to BNC (female) to connect camera to coaxial cable

Order number **NBN-MCSMB-03M | F.01U.291.564**

NBN-MCSMB-30M Cable, SMB to BNC, camera-monitor/DVR

3 m (9 ft) analog cable, SMB (female) to BNC (male) to connect camera to monitor or DVR

Order number **NBN-MCSMB-30M | F.01U.291.565**

NDA-5031-PIP Pendant interface plate NDI-4/5000

Pendant interface plate for indoor FLEXIDOME IP 4000i / 5000i.

Order number **NDA-5031-PIP | F.01U.329.708**

NDA-ADT4S-MINDOME Surface mount box for dome camera

Surface mount box (Ø145 mm / Ø5.71 in) for dome cameras (for indoor camera variant, use together with NDA-ADTVEZ-DOME).

Order number **NDA-ADT4S-MINDOME | F.01U.285.200**

NDA-ADTVEZ-DOME Adapter bracket for dome

Adapter bracket for indoor use (for indoor camera variant, use together with NDA-ADT4S-MINDOME).

Order number **NDA-ADTVEZ-DOME | F.01U.303.769**

NDA-FMT-DOME Inceiling flush mount for dome camera

In-ceiling flush mounting kit for dome cameras (Ø157 mm)

Order number **NDA-FMT-DOME | F.01U.303.768**

NDA-SMB-MINISMB Surface mount box for dome camera 5.87"

Surface mount box (Ø149 mm / Ø5.87 in)

Order number **NDA-SMB-MINISMB | F.01U.299.795**

NDA-U-CMT Corner mount adapter

Universal corner mount, white

Order number **NDA-U-CMT | F.01U.324.946**

NDA-U-PMAL Pole mount adapter large

Universal pole mount adapter, white; large

Order number **NDA-U-PMAL | F.01U.324.944**

NDA-U-PMAS Pole mount adapter small

Pole mount adapter small

Universal pole mount adapter, white; small.

Order number **NDA-U-PMAS | F.01U.324.943**

NDA-U-PMT Pendant pipe mount, 12" (31cm)

Universal pipe mount for dome cameras, 31 cm, white

Order number **NDA-U-PMT | F.01U.324.940**

NDA-U-PMTE Pendant pipe extension, 20" (50cm)

Extension for universal pipe mount, 50 cm, white

Order number **NDA-U-PMTE | F.01U.324.941**

NDA-U-PSMB Pendant wall/ceiling mount SMB

Surface mount box (SMB) for wall mount or pipe mount.

Order number **NDA-U-PSMB | F.01U.324.942**

NDA-U-WMT Pendant wall mount

Universal wall mount for dome cameras, white

Order number **NDA-U-WMT | F.01U.324.939**

NPD-5001-POE Midspan, 15W, single port, AC in

Power-over-Ethernet midspan injector for use with PoE enabled cameras; 15.4 W, 1-port

Weight: 200 g (0.44 lb)

Order number **NPD-5001-POE | F.01U.305.288**

NPD-5004-POE Midspan, 4 port x 15W, AC in

Power-over-Ethernet midspan injector for use with PoE enabled cameras; 15.4 W, 4-ports

Weight: 620 g (1.4 lb)

Order number **NPD-5004-POE | F.01U.305.289**

UPA-1220-60 Power supply, 120VAC 60Hz,12VDC 1A out

Power supply for camera. 100-240 VAC, 50/60 Hz In; 12 VDC, 1 A Out; regulated.

Input connector: 2-prong, North American standard (non-polarized).

Order number **UPA-1220-60 | F.01U.076.155**

VDA-PMT-AODOME Pipe mount for AUTODOME, outdoor

Sturdy outdoor pipe mount bracket for dome cameras (Ø166 mm)

Order number **VDA-PMT-AODOME | F.01U.268.901**

F.01U.313.786

VEZ-A2-WW Wall mount for PTZ dome, white

Wall mount (Ø145/149 mm) for dome cameras (use together with appropriate dome adapter bracket); white

Order number **VEZ-A2-WW | F.01U.100.210**

NDA-LWMT-DOME Wall mount, L-shaped, for dome camera

Sturdy wall L-shaped bracket for dome cameras

Order number **NDA-LWMT-DOME | F.01U.303.767**

Represented by:

Europe, Middle East, Africa:
Bosch Security Systems B.V.
P.O. Box 80002
5600 JB Eindhoven, The Netherlands
Phone: +31 40 2577 284
www.boschsecurity.com/xc/en/contact/
www.boschsecurity.com

Germany:
Bosch Sicherheitssysteme GmbH
Robert-Bosch-Ring 5
85630 Grasbrunn
Tel.: +49 (0)89 6290 0
Fax: +49 (0)89 6290 1020
de.securitysystems@bosch.com
www.boschsecurity.com

North America:
Bosch Security Systems, LLC
130 Perinton Parkway
Fairport, New York, 14450, USA
Phone: +1 800 289 0096
Fax: +1 585 223 9180
onlinehelp@us.bosch.com
www.boschsecurity.com

Asia-Pacific:
Robert Bosch (SEA) Pte Ltd, Security Systems
11 Bishan Street 21
Singapore 573943
Phone: +65 6571 2808
Fax: +65 6571 2699
www.boschsecurity.com/xc/en/contact/
www.boschsecurity.com