

Quick Start Guide

HD Analog Cameras



- UA-CB550F3
- UA-CR200F2, CR510F2
- UA-CR250F2, CR550F2

Before attempting to connect or operate this product, please read these instructions carefully and save this manual for future use.

UVSANALOG-QG-A



© 2022 USA Vision, Inc. All rights reserved.

Under the copyright laws, this manual may not be copied, in whole or in part, without the written consent of USA Vision.

Every effort has been made to ensure that the information in this manual is accurate. USA Vision makes no expressed or implied warranty of any kind and assumes no responsibility for errors or omissions. No liability is assumed for incidental or consequential damages arising from the use of the information or products contained herein. Features and specifications are subject to change without notice.

USA Vision Systems Inc.

9301 Irvine Blvd,

Irvine, CA 92618, USA

Tel: +1-949-421-5910

Fax: +1-949-583-152

<https://www.geovision.com.tw/us/>

February 2022

Scan the following QR codes for product warranty and technical support policy:



[Warranty]

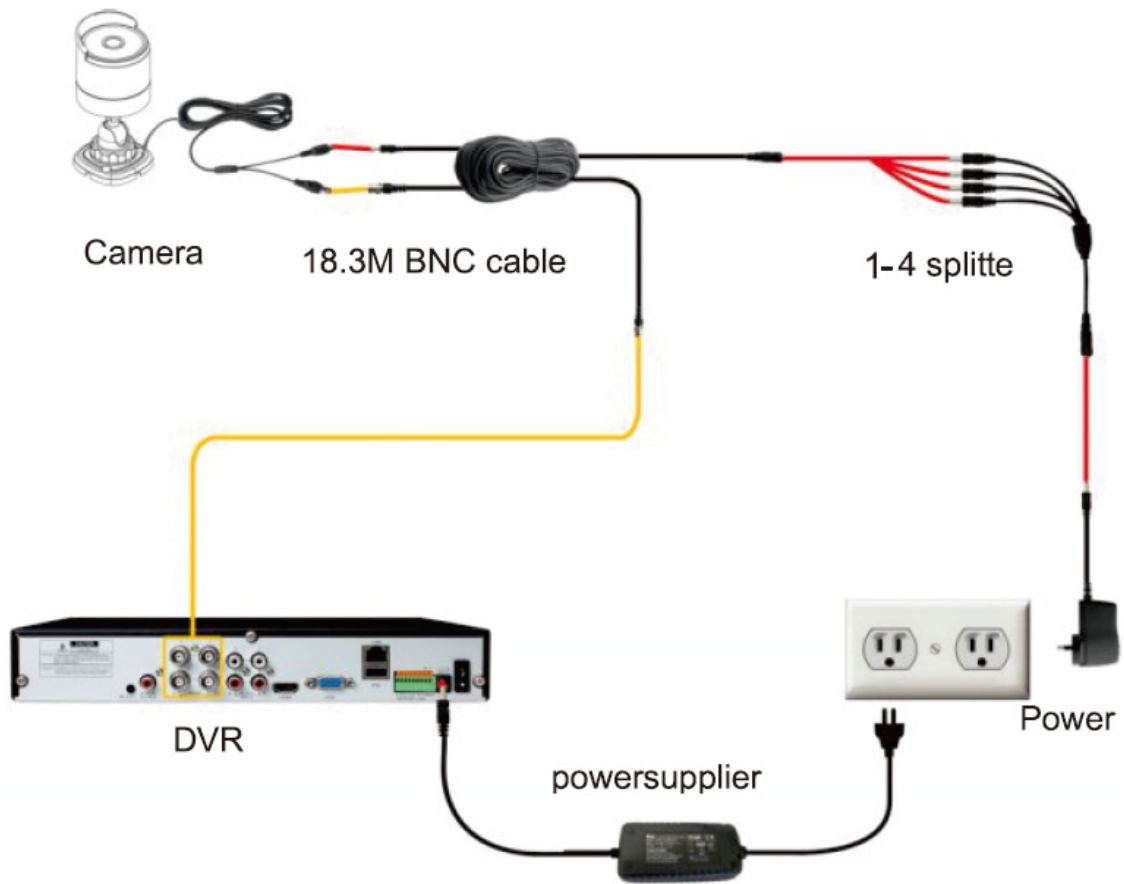


[Technical Support Policy]

Contents

- 1. Connection Diagram.....1**
- 2. Installation2**
 - 2.1 Bullet Camera Installation2
 - 2.2 Dome Camera Installation.....3
 - 2.3 Vandal Proof Dome Camera Installation6

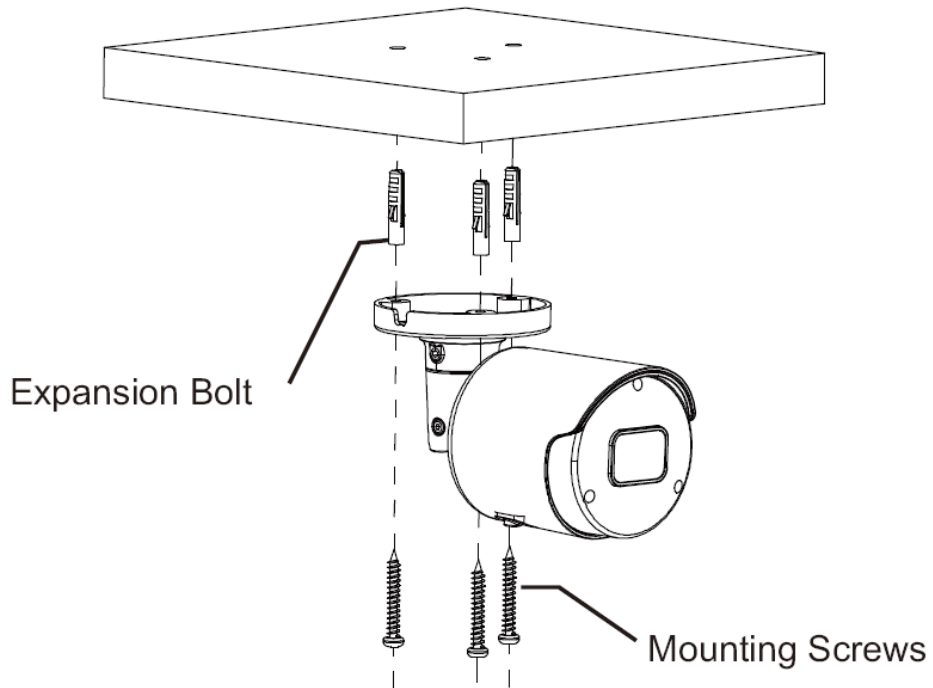
1. Connection Diagram



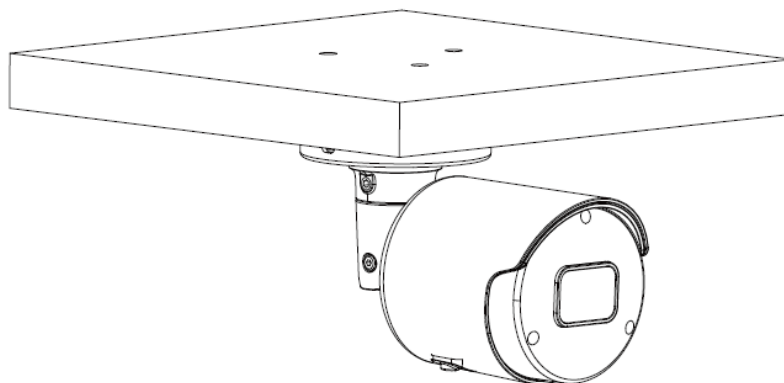
2. Installation

2.1 Bullet Camera Installation

Ceiling Mounting



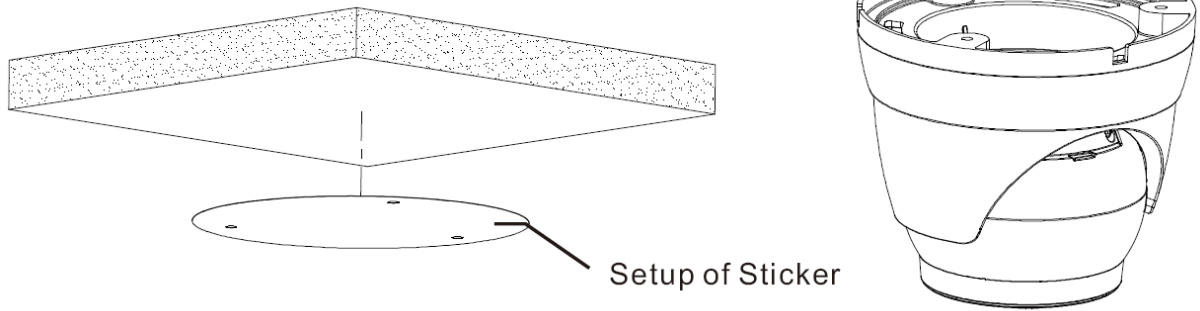
Insert three expansion bolts in place into the ceiling and fix the equipment with three mounting screws.



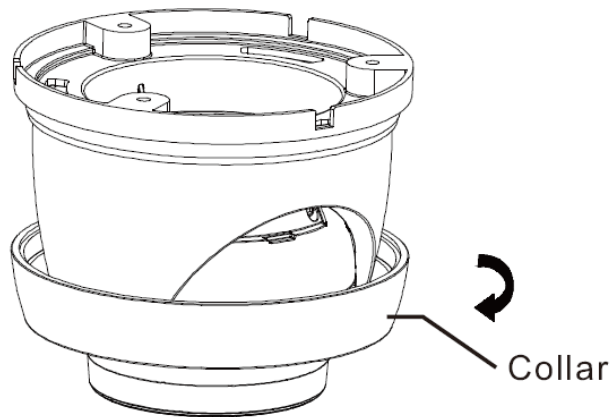
Completion of Installation

2.2 Dome Camera Installation

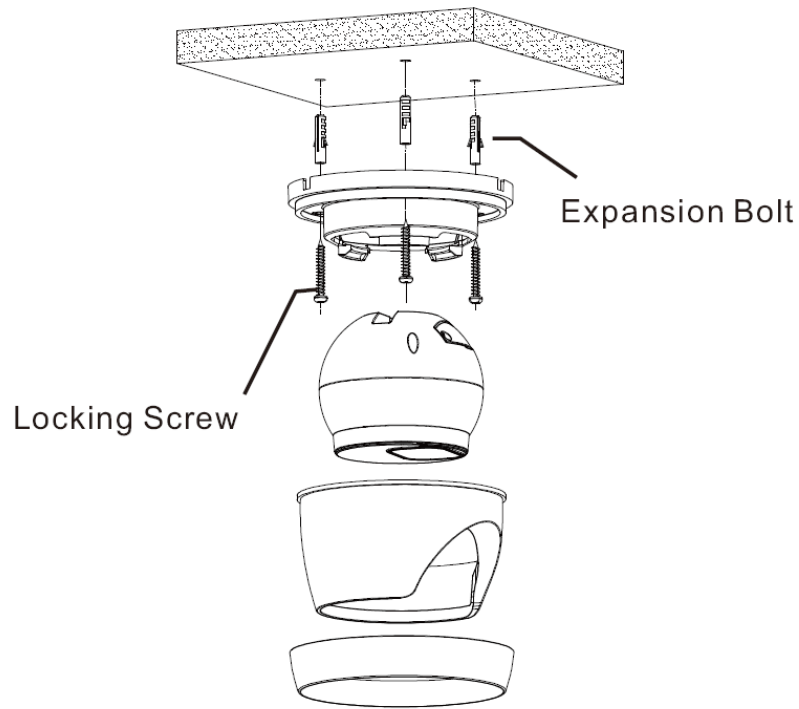
Ceiling Mounting



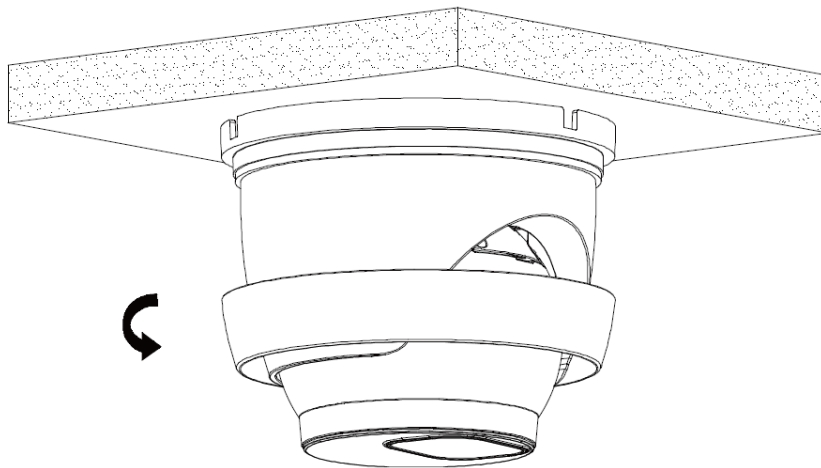
Paste the sticker in place at the proper position as selected.



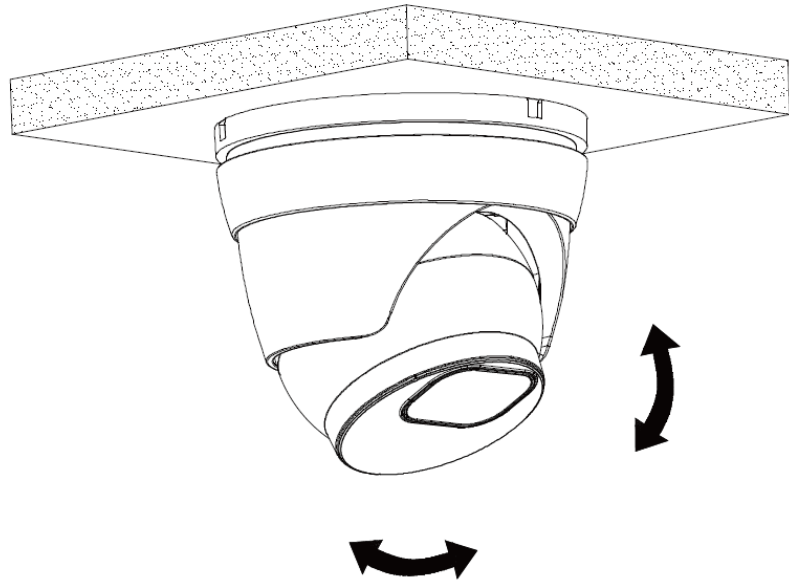
Remove the collar off the camera by rotating it down.



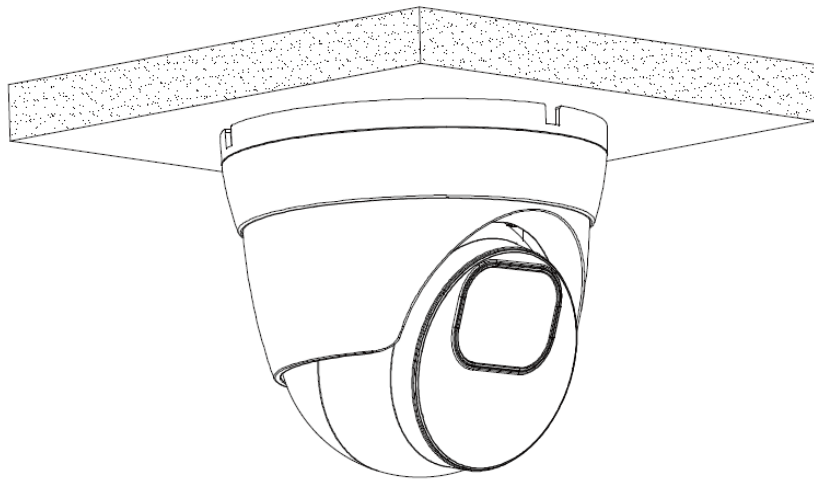
Fix the pedestal by drilling locking holes around the sticker and inserting three expansion bolts into the holes and fastening it with three locking screws.



Mount the collar back by rotating it up.



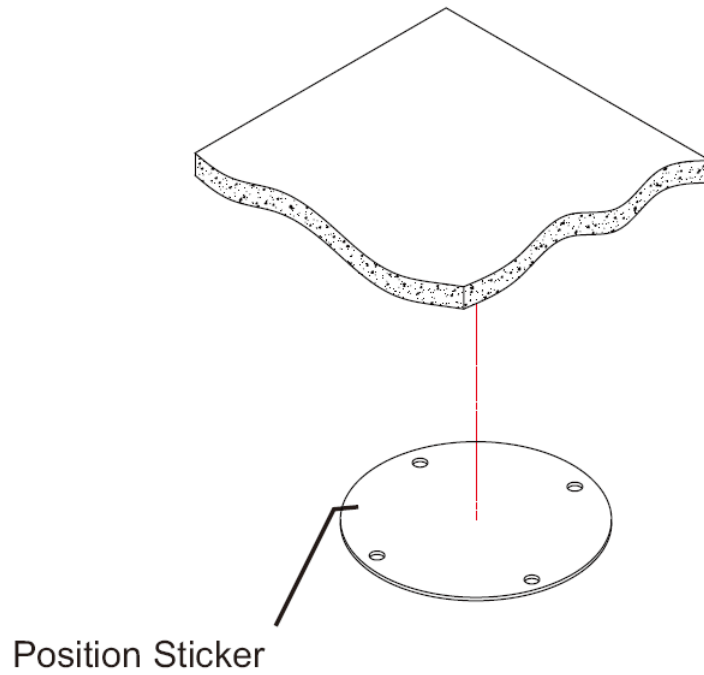
Adjust it to an appropriate angle.



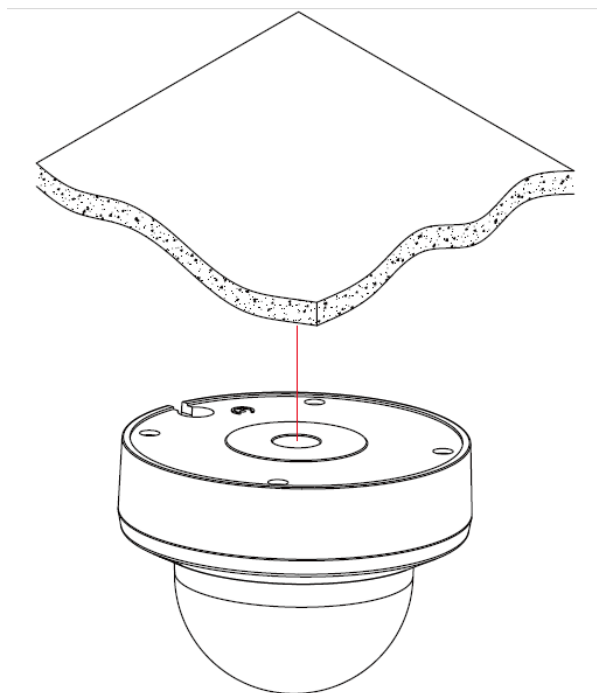
Complete of Installation

2.3 Vandal Proof Dome Camera Installation

Ceiling Mounting

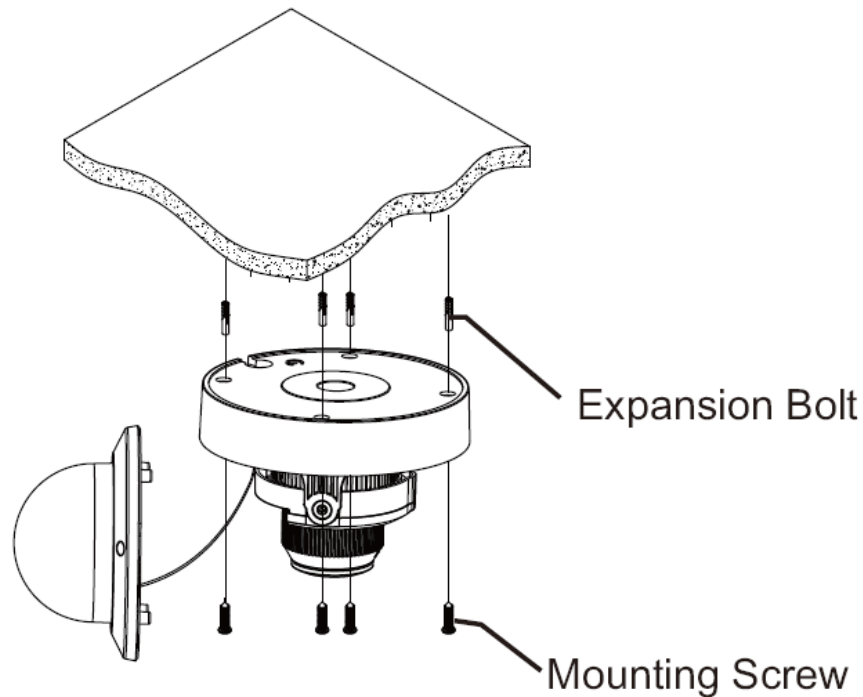


Apply the position sticker to the desired camera mounting position.

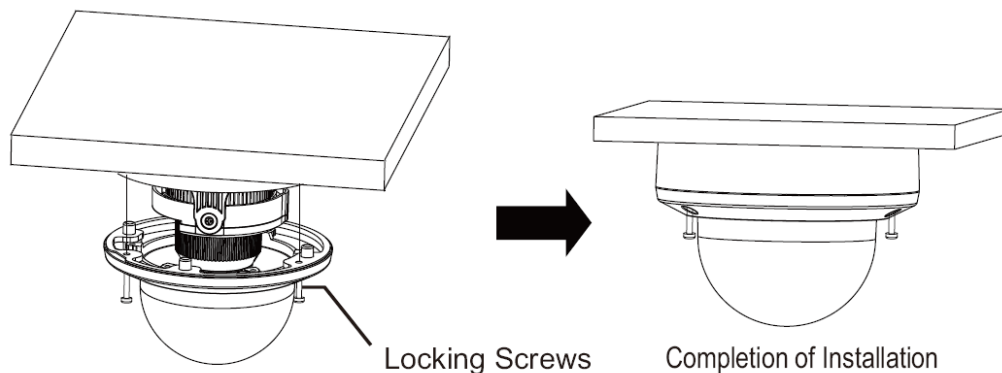


Cover Component

Remove the cover component by loosening the three locking screws with the included hex wrench.



Use the position indicated on the position sticker to drill the holes needed to mount the camera base. Insert the expansion bolt into the holes. Match the base's mount openings to the expansion bolts position, and then place the mounting screws through the base's mount opening into the expansion bolt. Tighten the mounting screws to ensure the camera base mounted securely.



- Place the cover component back onto the base.
- Please make sure the locking screw position on the cover component matches the locking post on the base.
- Tighten the locking screws after the cover component is in the correct position.