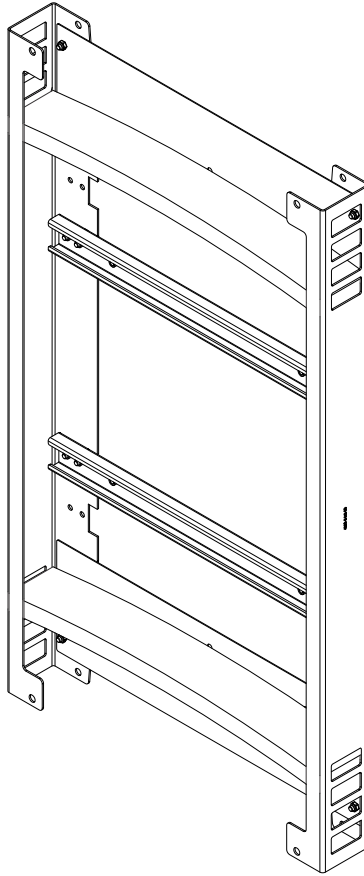

INSTALLATION INSTRUCTIONS



Universal Flat Panel Interface Bracket

DISCLAIMER

Legrand | AV and its affiliated corporations and subsidiaries (collectively "Legrand | AV"), intend to make this manual accurate and complete. However, Legrand | AV makes no claim that the information contained herein covers all details, conditions or variations, nor does it provide for every possible contingency in connection with the installation or use of this product. The information contained in this document is subject to change without notice or obligation of any kind. Legrand | AV makes no representation of warranty, expressed or implied, regarding the information contained herein. Legrand | AV assumes no responsibility for accuracy, completeness or sufficiency of the information contained in this document.

Chief® is a registered trademark of Legrand AV Inc.

DEFINITIONS

MOUNTING SYSTEM: A MOUNTING SYSTEM is the primary Chief product to which an accessory and/or component is attached.

ACCESSORY: AN ACCESSORY is the secondary Chief product which is attached to a primary Chief product, and may have a component attached or setting on it.

COMPONENT: A COMPONENT is an audiovisual item designed to be attached or resting on an accessory or mounting system such as a video camera, CPU, screen, display, projector, etc.



WARNING: A WARNING alerts you to the possibility of serious injury or death if you do not follow the instructions.



CAUTION: A CAUTION alerts you to the possibility of damage or destruction of equipment if you do not follow the corresponding instructions.



IMPORTANT SAFETY INSTRUCTIONS



WARNING: Failure to read, thoroughly understand, and follow all instructions can result in serious personal injury, damage to equipment, or voiding of factory warranty! It is the installer's responsibility to make sure all accessories are properly assembled and installed using the instructions provided.



WARNING: Failure to provide adequate structural strength for this accessory can result in serious personal injury or damage to equipment! It is the installer's responsibility to make sure the structure to which this accessory is attached can support five times the combined weight of all equipment. Reinforce the structure as required before installing the accessory. The wall to which the accessory is being attached may have a maximum drywall thickness of 5/8" (1.6cm). Do not install drywall anchors into the seam between drywall pieces.



WARNING: Exceeding the weight capacity can result in serious personal injury or damage to equipment! It is the installer's responsibility to make sure the combined weight of all components attached to accessory does not the weight limit of the mount to which it is attached.



WARNING: Use this accessory only for its intended use as described in these instructions. Do not use attachments not recommended by the manufacturer.



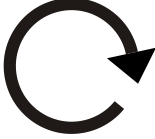

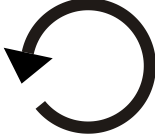

WARNING: Never operate this accessory if it is damaged. Return the mounting system to a service center for examination and repair.



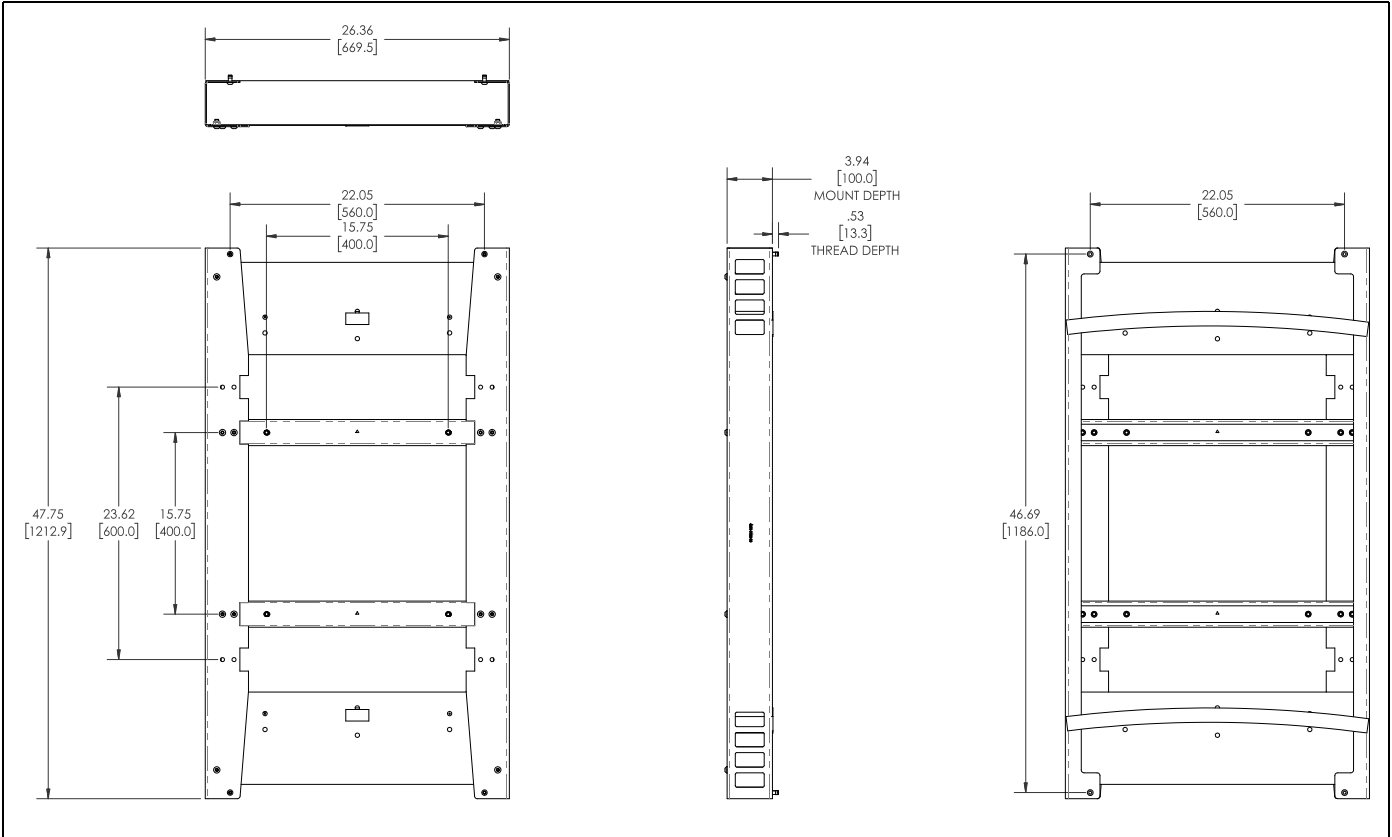
WARNING: Do not use this product outdoors.

--SAVE THESE INSTRUCTIONS--

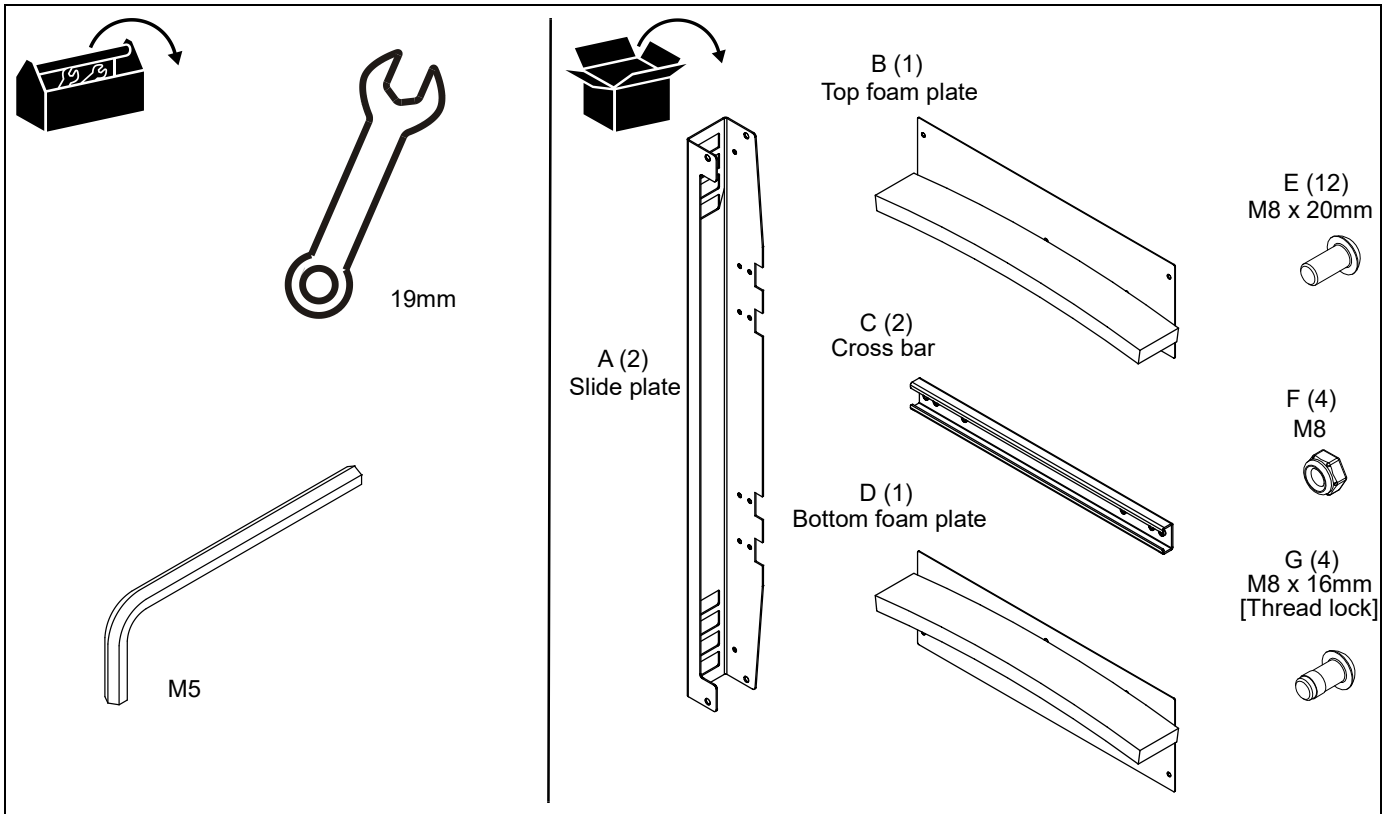
LEGEND

	Tighten Fastener		Hex-Head Wrench
	Apretar elemento de fijación		Llave de cabeza hexagonal
	Befestigungsteil festziehen		Sechskantschlüssel
	Apertar fixador		Chave de cabeça sextavada
	Serrare il fissaggio		Chiave esagonale
	Bevestiging vastdraaien		Zeskantsleutel
Serrez les fixations	Clé à tête hexagonale		
	Loosen Fastener		Open-Ended Wrench
	Aflojar elemento de fijación		Llave de boca
	Befestigungsteil lösen		Gabelschlüssel
	Desapertar fixador		Chave de bocas
	Allentare il fissaggio		Chiave a punte aperte
	Bevestiging losdraaien		Steeksleutel
Desserrez les fixations	Clé à fourche		

DIMENSIONS



TOOLS / PARTS FOR INSTALLATION



ASSEMBLY AND INSTALLATION

1. Use two M8 x 20mm button head cap screws (E) and M8 nuts (F) to secure two side plates (A) to top foam plate (B). (See Figure 1)
2. Use two M8 x 20mm button head cap screws (E) and M8 nuts (F) to secure two side plates (A) to bottom foam plate (D). (See Figure 1)

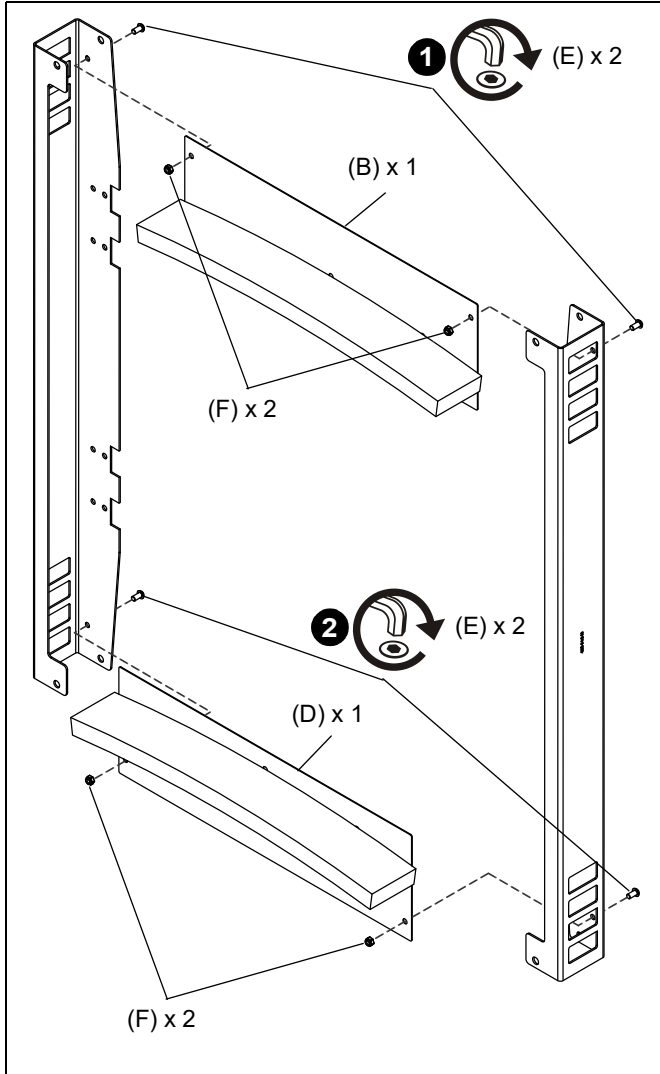


Figure 1

3. Use eight M8 x 20mm button head cap screws (E) to attach two cross bars (C) between side plates in desired mounting positions. (See Figure 2)

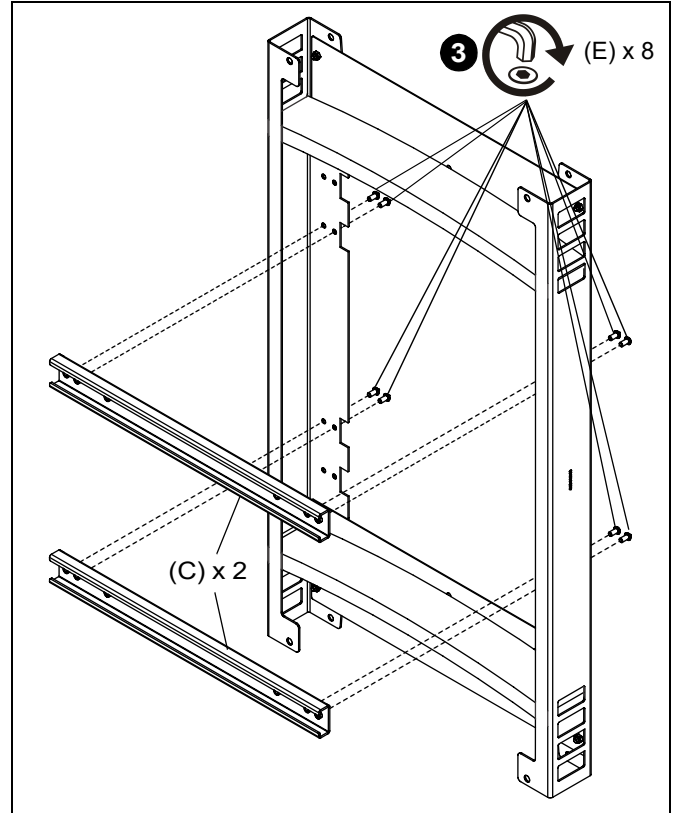


Figure 2

IMPORTANT ! : Crossbars (C) can be installed in two different positions. Verify requirements of mount to be used before installing crossbars. (See Figure 3)

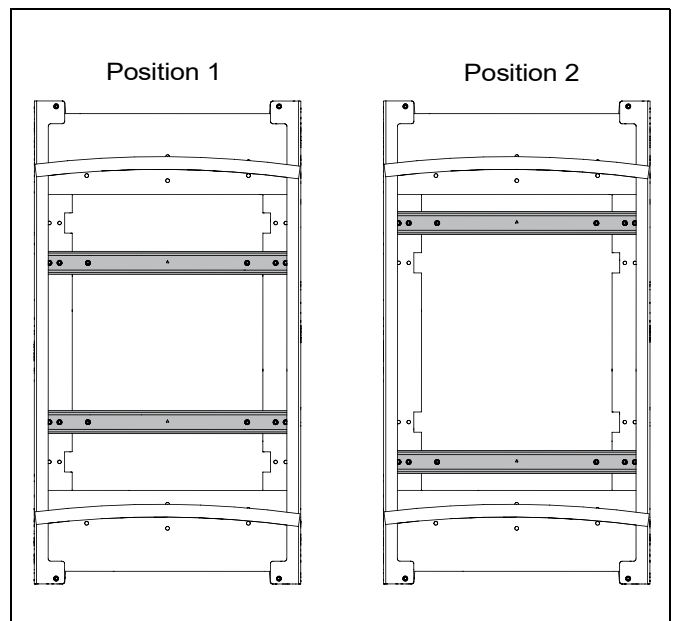


Figure 3

- Attach side plates (A) to back of display using four M8 x 16mm hex head cap screws (G). (See Figure 4)

NOTE: M8 x 16mm screws have thread lock.

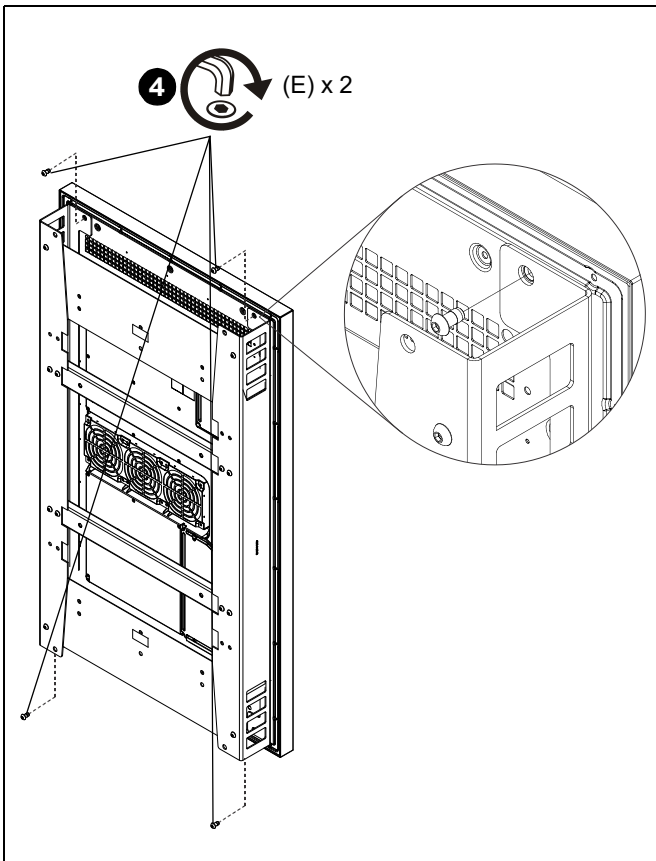


Figure 4

- Complete the installation following the mount installation instructions.



A brand of  **legrand**

8800-003343 Rev00
©2021 Legrand | AV
www.legrandav.com
10/2021

USA/International	A 6436 City West Parkway, Eden Prairie, MN 55344
	P 800.582.6480 / 952.225.6000
	F 877.894.6918 / 952.894.6918
Europe	A Franklinstraat 14, 6003 DK Weert, Netherlands
	P +31 (0) 495 580 852
	F +31 (0) 495 580 845
Asia Pacific	A Office No. 918 on 9/F, Shatin Galleria 18-24 Shan Mei Street Fotan, Shatin, Hong Kong
	P 852 2145 4099
	F 852 2145 4477

