

Access & Power Integration

Altronix/Kisi Kits

Models Include:

T1KE34

4 Door Kit with Fused Outputs

Fully assembled kit includes:

- Trove1 enclosure with TLU1 backplane
- One (1) AL600ULXB - Power Supply/Charger
- One (1) ACM4 - Fused Access Power Controller

T1KE38

8 Door Kit with Fused Outputs

Fully assembled kit includes:

- Trove1 enclosure with TLU1 backplane
- One (1) AL600ULXB - Power Supply/Charger
- Two (2) ACM4 - Fused Access Power Controllers

T2KE3316

16 Door Kit with Fused Outputs

Fully assembled kit includes:

- Trove2 enclosure with TLU2 backplane
- Two (2) AL600ULXB - Power Supply/Charger
- Two (2) ACM8 - Fused Access Power Controllers

T1KE34D

4 Door Kit with PTC Outputs

Fully assembled kit includes:

- Trove1 enclosure with TLU1 backplane
- One (1) AL600ULXB - Power Supply/Charger
- One (1) ACM4CB - PTC Access Power Controller

T1KE38D

8 Door Kit with PTC Outputs

Fully assembled kit includes:

- Trove1 enclosure with TLU1 backplane
- One (1) AL600ULXB - Power Supply/Charger
- Two (2) ACM4CB - PTC Access Power Controllers

T2KE3316D

16 Door Kit with PTC Outputs

Fully assembled kit includes:

- Trove2 enclosure with TLU2 backplane
- Two (2) AL600ULXB - Power Supply/Charger
- Two (2) ACM8CB - PTC Access Power Controllers

All components of these Trove kits are UL Listed sub-assemblies.

Please refer to the included corresponding Sub-Assembly Installation Guides for further information.

Installation Guide



More than just power.™

All registered trademarks are property of their respective owners.

Rev. 122221

Installing Company: _____ Service Rep. Name: _____

Address: _____ Phone #: _____

Overview:

Altronix Trove Kisi kits are pre-assembled and consist of Trove1LU1 or Trove2LU2 enclosure/backplane with factory installed Altronix power supply/charger(s) and sub-assemblies. Trove Kisi kits also accommodates up to four (4) Kisi Pro Controllers for up to sixteen (16) doors in a single enclosure.

Configuration Chart:

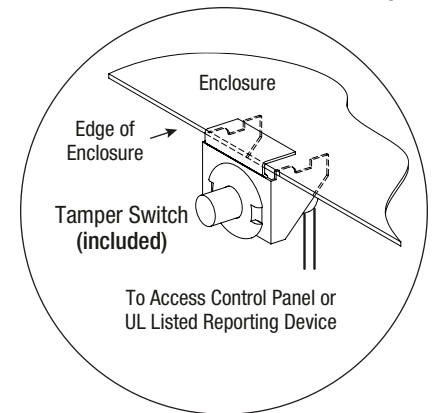
Altronix Model Number	115VAC 60Hz Input Current (A)	Power Supply Board Input Fuse Rating	Maximum Supply Current for Main Output on Power Supply board(s) and ACM4/ACM8 Access Power Controllers' outputs	Nominal DC Output Voltage Range (VDC)	Fail-Safe/ Fail-Secure Outputs	ACM4(CB)/ ACM8(CB) Board Input Fuse Rating	ACM4/ ACM8 Board Output Fuse Rating	ACM4CB/ ACM8CB Board Output PTC Rating
T1KE34	3.5	5A/ 250V	24VDC @ 5.7A	20.17-26.4	4	10A/32V	3A/32V	–
T1KE34D							–	2.5A
T1KE38					8	10A/32V	3A/32V	–
T1KE38D							–	2.5A
T2KE3316					16	10A/250V	3.5A/250V	–
T2KE3316D							–	2.5A

Installation Instructions:




Wiring methods shall be in accordance with the National Electrical Code/NFPA 70/ANSI, and with all local codes and authorities having jurisdiction. Product is intended for indoor use only.

1. Remove backplane from enclosure. Do not discard hardware.
2. Mark and predrill holes in the wall to line up with the top two/three keyholes in the enclosure. Install two/three upper fasteners and screws in the wall with the screw heads protruding. Place the enclosure's upper keyholes over the two/three upper screws, level and secure. Mark the position of the lower two/three holes. Remove the enclosure. Drill the lower holes and install the two/three fasteners. Place the enclosure's upper keyholes over the two/three upper screws. Install the two/three lower screws and make sure to tighten all screws refer to *pages 6-7*.
3. Mount included UL Listed tamper switch (Altronix Model TS112 or equivalent) in desired location, opposite hinge. Slide the tamper switch bracket onto the edge of the enclosure, approximately 2" from the right side (*Fig. 1, pg. 2*). Connect tamper switch wiring to the Access Control Panel input or the appropriate UL Listed reporting device. To activate alarm signal open the door of the enclosure.
4. Mount Kisi Pro Controllers to TLU1 or TLU2 backplane, refer to *pages 3-5*.
5. Refer to the *ULXB Power Supply/Charger Installation Guide* for AL600ULXB and corresponding *Sub-Assembly Installation Guides* for ACM4(CB) and ACM8(CB) for further installation instructions.

Fig. 1



Hardware:

 Spacer |
  5/16" Pan Head Screw |
  Mounting Magnet

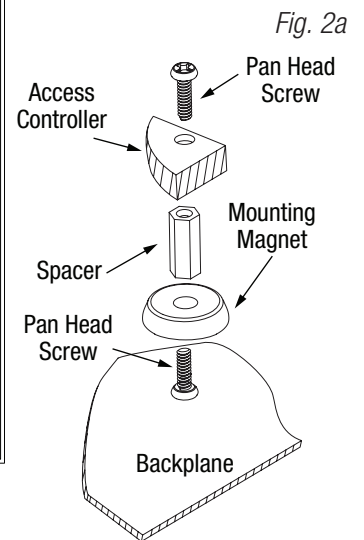
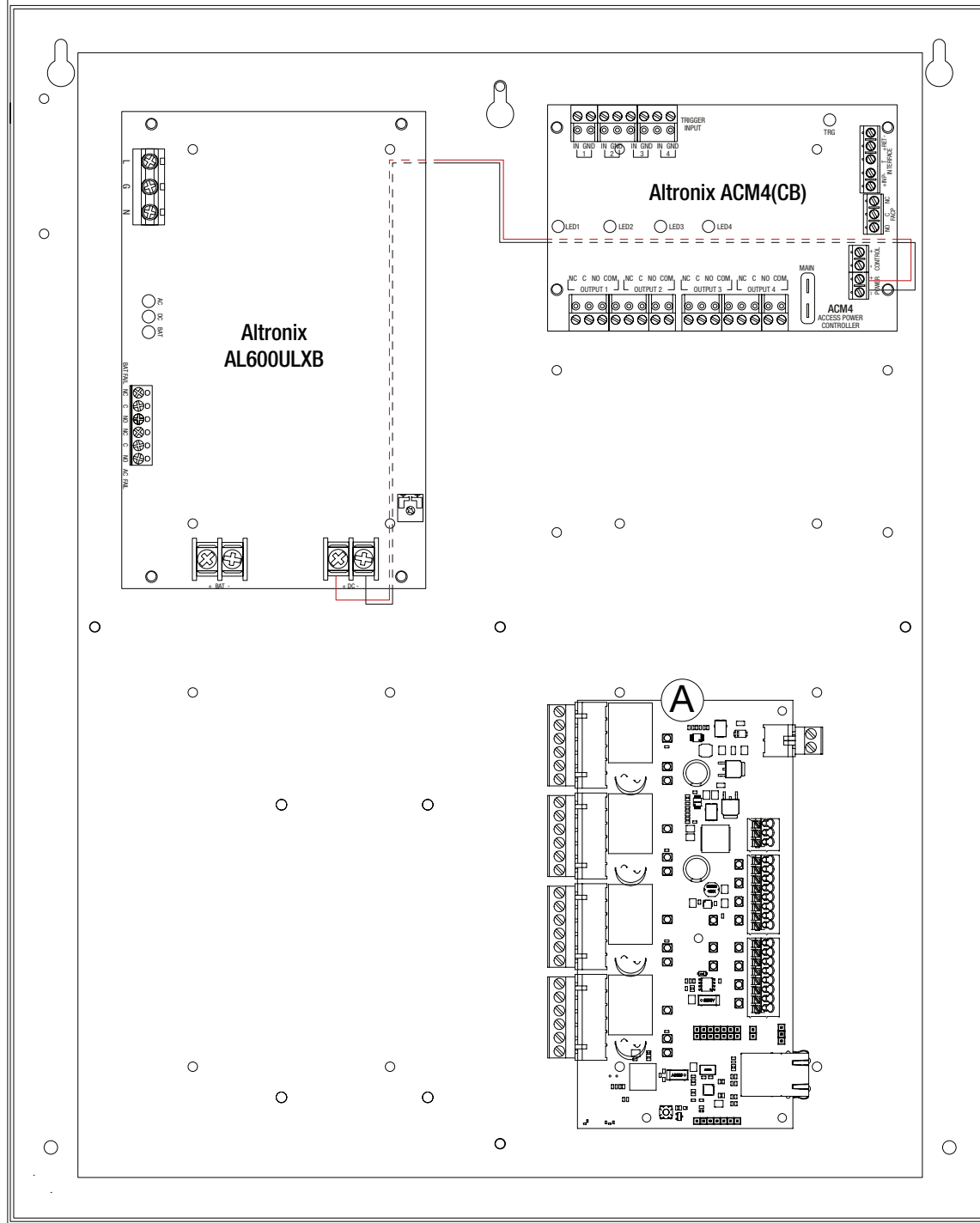
T1KE34 and T1KE34D: Configuration of Kisi Pro Controllers:

1. Fasten mounting magnets (provided) to Kisi Pro Controllers with screws and spacers (provided) using the controllers' mounting holes (Fig. 2, pg. 3).
2. Attach mounting magnets to TLU1 in the approximate position as shown below (Fig. 2a, pg. 3).
Note: Kisi Pro Controllers should be properly oriented.
Please make sure that they are mounted correctly, as shown in Fig. 2 below.
3. Fasten TLU1 backplane to Trove1 enclosure utilizing hardware (provided).

Access Controller Position Chart for the Following Models:

Kisi	Pem Mounting
Pro Controller	(A)

Fig. 2 - T1KE34(D) Configuration



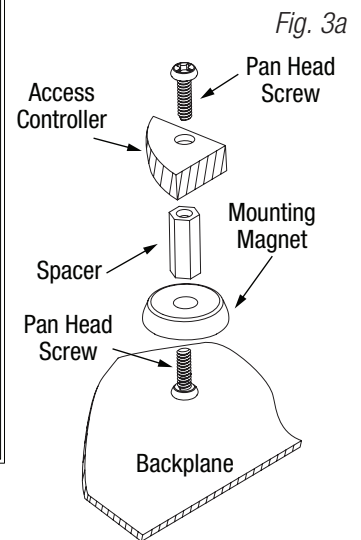
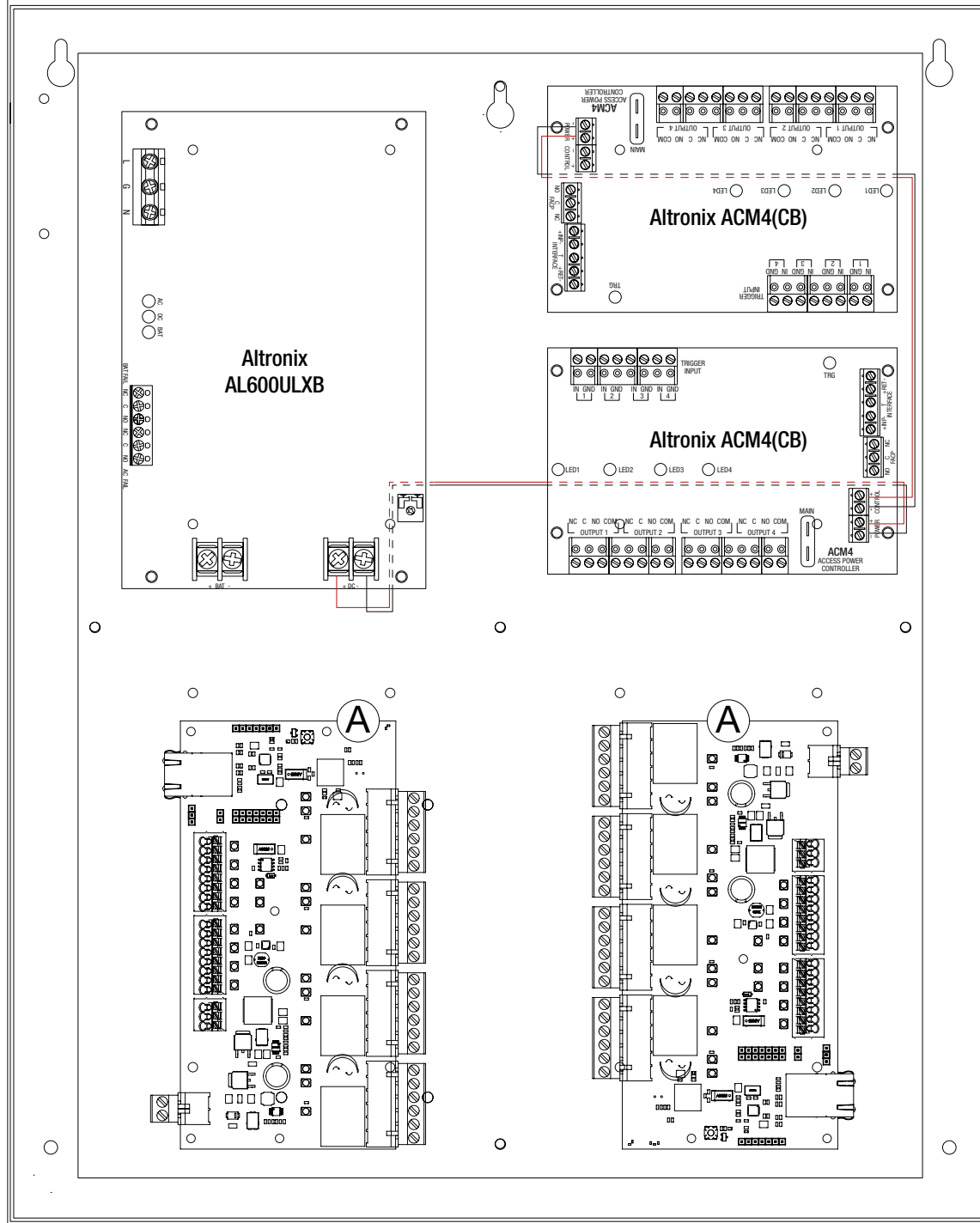
T1KE38 and T1KE38D: Configuration of Kisi Pro Controllers:

1. Fasten mounting magnets (provided) to Kisi Pro Controllers with screws and spacers (provided) using the controllers' mounting holes (Fig. 3, pg. 4).
2. Attach mounting magnets to TLU1 in the approximate position as shown below (Fig. 3a, pg. 4).
Note: Kisi Pro Controllers should be properly oriented.
Please make sure that they are mounted correctly, as shown in Fig. 3 below.
3. Fasten TLU1 backplane to Trove1 enclosure utilizing hardware (provided).

Access Controller Position Chart for the Following Models:

Kisi	Pem Mounting
Pro Controller	(A)

Fig. 3 - T1KE38(D) Configuration



T2KE3316 and T2KE3316D: Configuration of Kisi Pro Controllers:

1. Fasten mounting magnets (provided) to Kisi Pro Controllers with screws and spacers (provided) using the controllers' mounting holes (Fig. 4, pg. 5).
2. Attach mounting magnets to TLU2 in the approximate position as shown below (Fig. 4a, pg. 5).
Note: Kisi Pro Controllers should be properly oriented.
Please make sure that they are mounted correctly, as shown in Fig. 4 below.
3. Fasten TLU2 backplane to Trove2 enclosure utilizing hardware (provided).

Access Controller Position Chart for the Following Models:

Kisi	Pem Mounting
Pro Controller	(A)

Fig. 4 - T2KE3316(D) Configuration

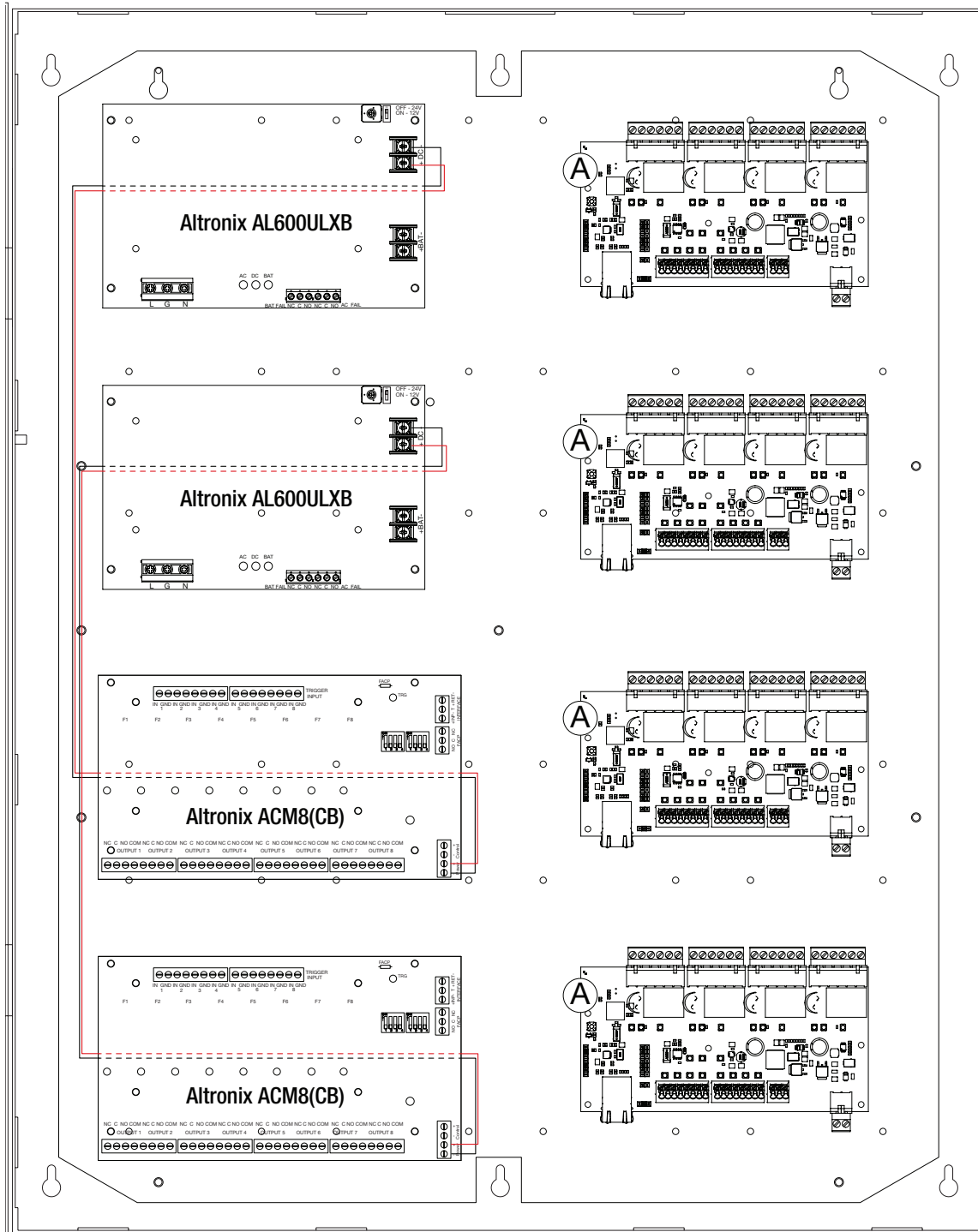
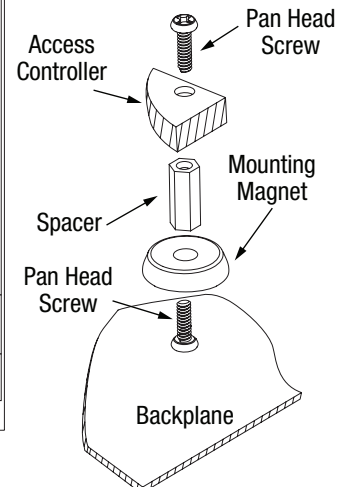
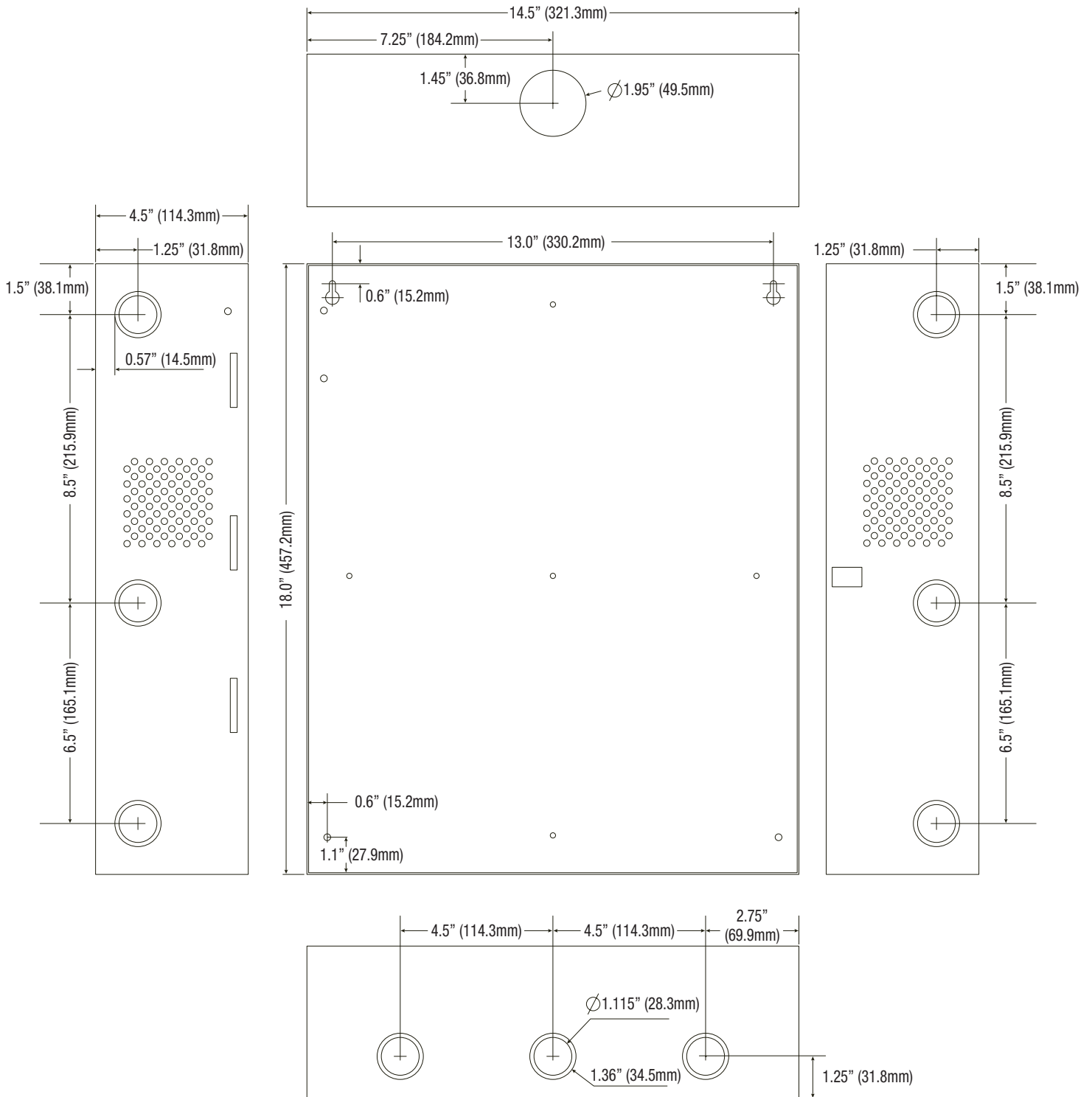


Fig. 4a



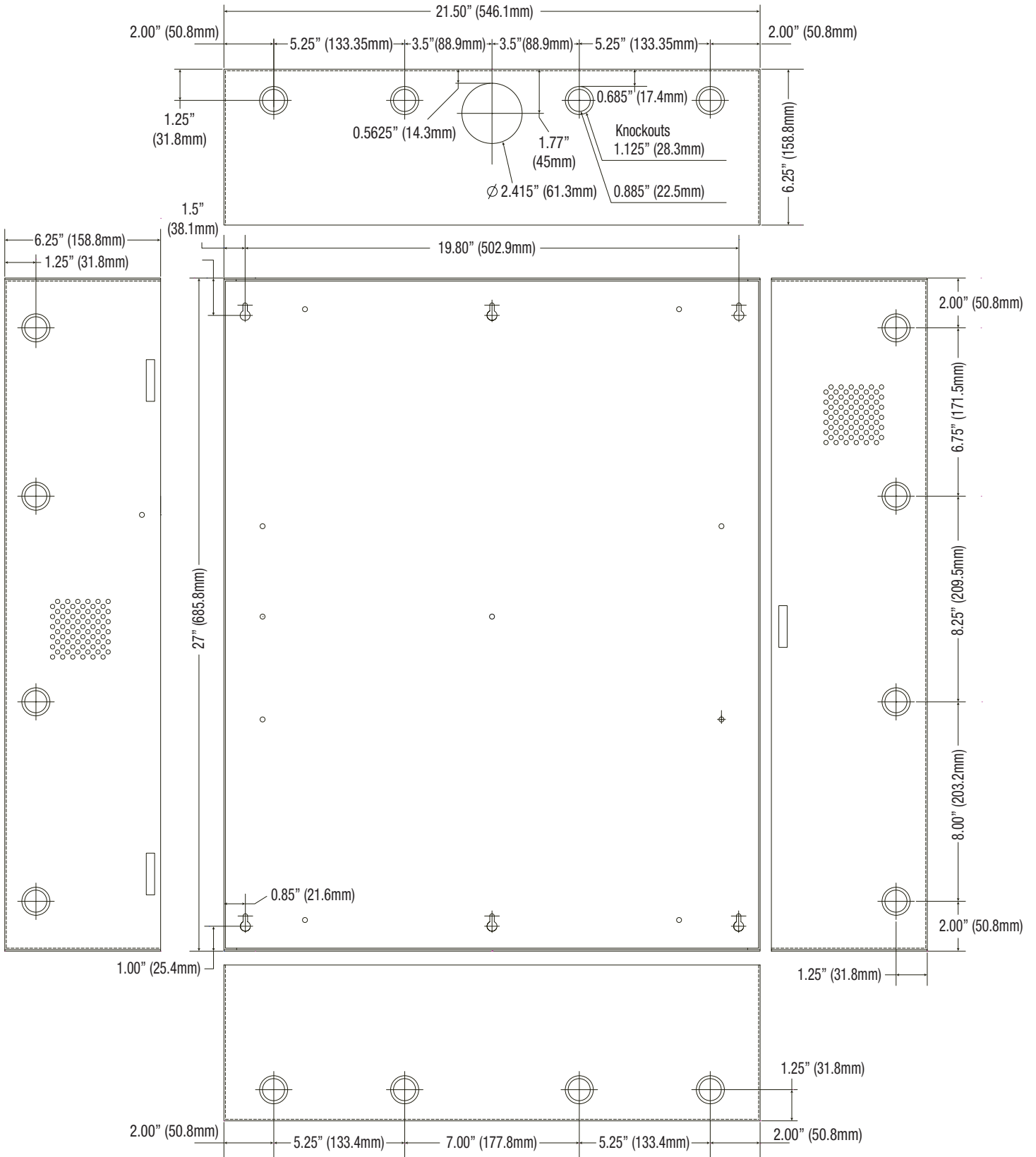
T1KE34(D) and T1KE38(D) Enclosure Dimensions (H x W x D approximate):

18" x 14.5" x 4.625" (457mm x 368mm x 118mm)



T2KE3316(D) Enclosure Dimensions (H x W x D approximate):

27.25" x 21.5" x 6.5" (692.2mm x 552.5mm x 165.1mm)



Notes:

Altronix is not responsible for any typographical errors.

140 58th Street, Brooklyn, New York 11220 USA | phone: 718-567-8181 | fax: 718-567-9056
web site: www.altronix.com | e-mail: info@altronix.com | Lifetime Warranty.
II Trove KE ULXB Kits

K17V



MEMBER