

Beacons

Flashing Halogen or Incandescent

48 Series

Edwards Signaling 48 Series mid-sized, Halogen and Incandescent flashing beacons are economical, NEMA Type 4X rated devices suitable for use in indoor or outdoor applications where a flashing light source is required. Base material is gray ABS. Unique snap-on, high-impact polycarbonate double fresnel lens is optically engineered to maximize light distribution and viewing distance.

Features and Specifications

- Halogen or Incandescent light source
- Flash rate 65 fpm
- Quick snap-on, high-impact polycarbonate lens
- Gray ABS base
- Suitable for use in indoor and outdoor applications
- For outdoor use, lens should face up
- Option for panel or conduit mounting
- NEMA Type 4X enclosure
- Operating temperature range: -31°F to 150°F (-35°C to 66°C)



VISUAL SIGNALS

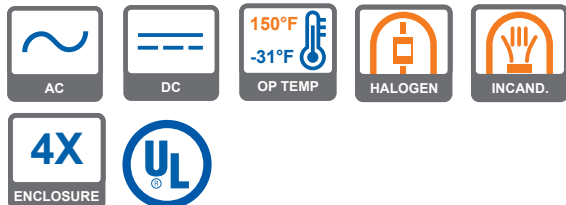
Ordering Information

Description	Cat. No.	Operating Voltage	Operating Current	Lens Colors	Lamp Ratings ¹	Replacement				
						Lens	Flasher	Lamp		
Flashing Beacon Halogen	48FINR-G5-20WH	24V AC	0.80 A	Red	25,000 hr.	96-LR	P-041917-0029	50LMP-20WH or Ind. Trade No. 1692 ^{2,3}		
	48FING-G5-20WH	24V AC	0.80 A	Green	25,000 hr.	96-LG				
	48FINA-G5-20WH	24V AC	0.80 A	Amber	25,000 hr.	96-LA				
	48FINB-G5-20WH	24V AC	0.80 A	Blue	25,000 hr.	96-LB				
	48FINC-G5-20WH	24V AC	0.80 A	Clear	25,000 hr.	96-LC				
	48FINM-G5-20WH	24V AC	0.80 A	Magenta	25,000 hr.	96-LM				
	48FINR-N5-25WH	120V AC	0.20 A	Red	25,000 hr.	96-LR	P-041917-0026	50LMP-25WH or Ind. Trade No. 25T8DC ^{2,3}		
	48FING-N5-25WH	120V AC	0.20 A	Green	25,000 hr.	96-LG				
	48FINA-N5-25WH	120V AC	0.20 A	Amber	25,000 hr.	96-LA				
	48FINB-N5-25WH	120V AC	0.20 A	Blue	25,000 hr.	96-LB				
	48FINC-N5-25WH	120V AC	0.20 A	Clear	25,000 hr.	96-LC				
	48FINM-N5-25WH	120V AC	0.20 A	Magenta	25,000 hr.	96-LM				
	Flashing Beacon Incandescent	48FINR-G1-20WH	24V DC	0.80 A	Red	25,000 hr.	96-LR	P-041917-0029	50LMP-20WH	
		48FING-G1-20WH	24V DC	0.80 A	Green	25,000 hr.	96-LG			
48FINA-G1-20WH		24V DC	0.80 A	Amber	25,000 hr.	96-LA				
48FINB-G1-20WH		24V DC	0.80 A	Blue	25,000 hr.	96-LB				
48FINC-G1-20WH		24V DC	0.80 A	Clear	25,000 hr.	96-LC				
48FINM-G1-20WH		24V DC	0.80 A	Magenta	25,000 hr.	96-LM				
48FINR-E1		12V DC	1.0 A	Red	1,520 hr.	96-LR	P-041917-0028			Industry Trade No. 94 ³
48FING-E1		12V DC	1.0 A	Green	1,520 hr.	96-LG				
48FINA-E1	12V DC	1.0 A	Amber	1,520 hr.	96-LA					
48FINB-E1	12V DC	1.0 A	Blue	1,520 hr.	96-LB					
48FINC-E1	12V DC	1.0 A	Clear	1,520 hr.	96-LC					
48FINM-E1	12V DC	1.0 A	Magenta	1,520 hr.	96-LM					

¹Projected lamp life based on manufacturer's calculated lamp life at 65 fpm and 50% duty cycle.

²Incandescent lamps

³User supplied



Beacons

Flashing Halogen or Incandescent

48 Series

Accessories

Description	Cat. No.
Gasket Kit suitable for outdoor surface installation – AC models	GSK-KIT
Corner Mount Bracket	CBR
Wall Mount Bracket	WBR



GSK-KIT
Gasket Kit



CBR
Corner Mount Bracket



WBR
Wall Mount Bracket

Signal Input Load Characteristics

These devices may be operated by PLCs with output characteristics that match the input load requirements of the signal.

Cat. No.	Operating ¹ Voltage	Max. Off State Leakage Current (A)	Continuous On Current (A)	Surge (inrush / duration)
48FIN*-N5-25WH	120V AC	0.025	0.200	1.3 A / 8 mSeconds
48FIN*-G1-20WH	24V DC	0.025	0.800	2.2 A / 100 mSeconds

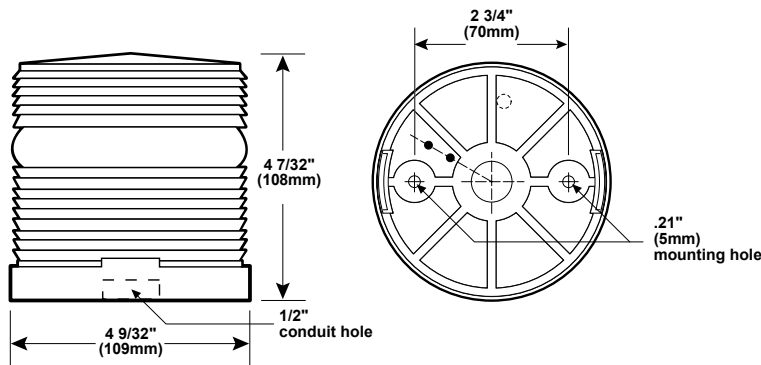
*Letter in this position designates lens color: A - amber, B - blue, C - clear, G - green, M - magenta or R - red

¹AC voltage frequency is 50/60 Hz

Weights and Dimensions

Cat. No.	Approx. Net Weight (lb.)	Approx. Shipping Weight (lb.)
48FIN*-G5-20WH	0.16	0.32
48FIN*-N5-25WH	0.16	0.32
48FIN*-G1-20WH	0.16	0.32
48FIN*-E1	0.70	0.86
GSK-KIT	0.70	1.00
CBR	4.00	4.20
WBR	2.30	2.50

*Letter in this position designates lens color: A - amber, B - blue, C - clear, G - green, M - magenta or R - red



Use Cat. No. GSK-KIT gasket kit suitable for outdoor surface mount installation on AC units