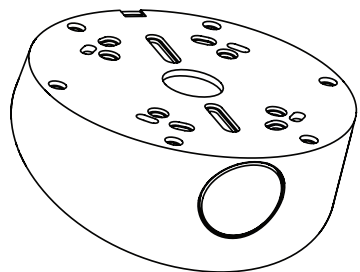
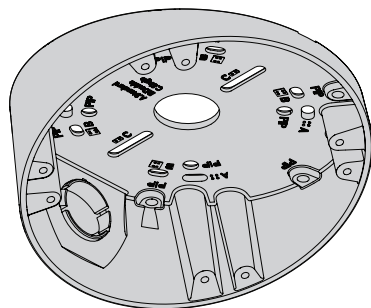


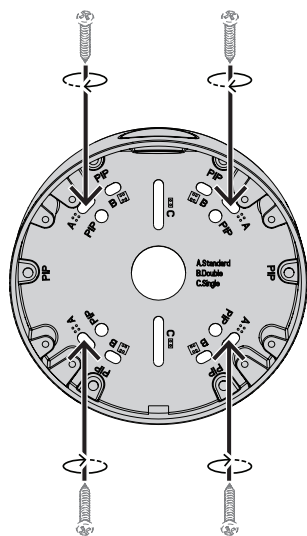
1 |



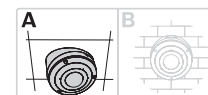
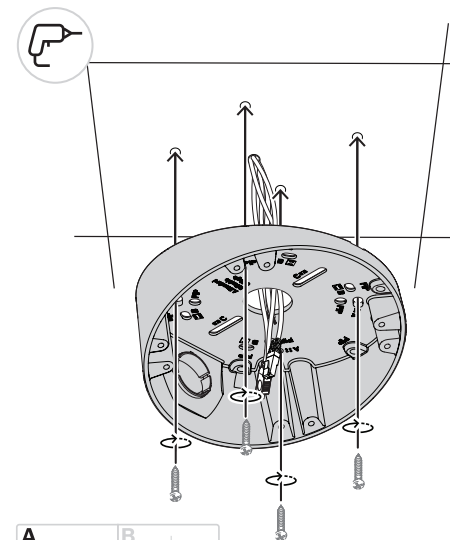
2 |



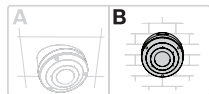
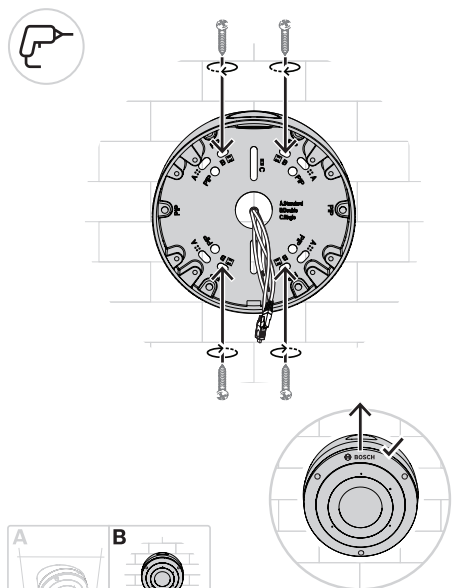
3 |



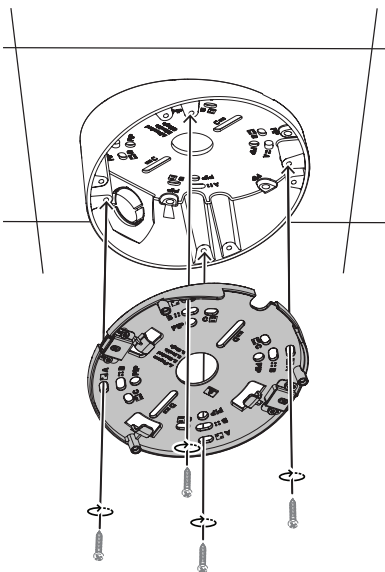
4 |



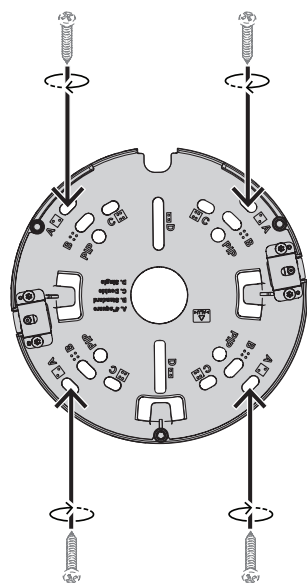
5 |



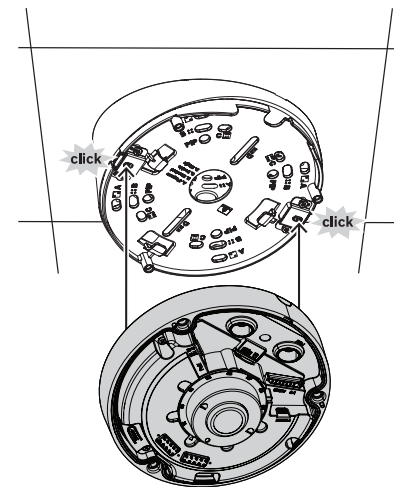
6 |

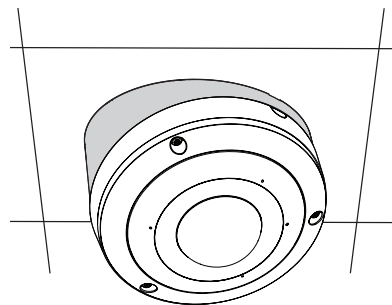
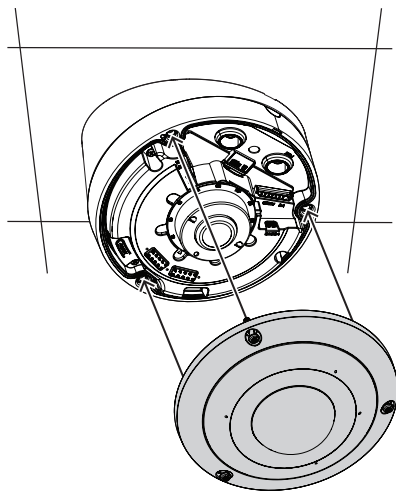


7 |



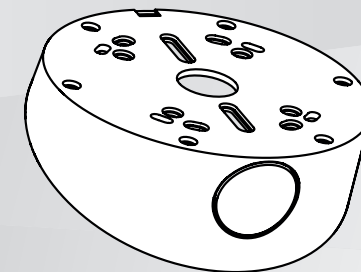
8 |





### Tilt Mount 20-deg, 148mm

NAD-5080-TM



en Quick installation guide

**Bosch Security Systems B.V.**  
 Torenallee 49  
 5617 BA Eindhoven  
 The Netherlands  
[www.boschsecurity.com](http://www.boschsecurity.com)  
 © Bosch Security Systems B.V., 2020