

# SHD-1408FPW

In-ceiling Housing



FC | UL LISTED | CE | ENEC

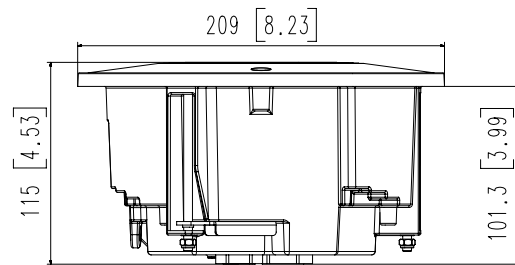
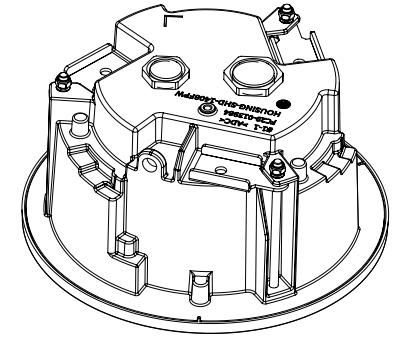
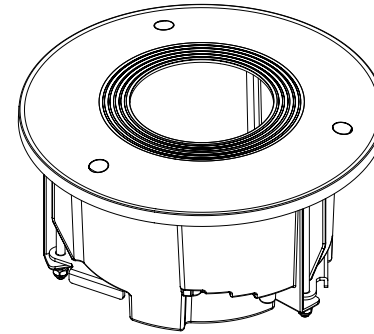
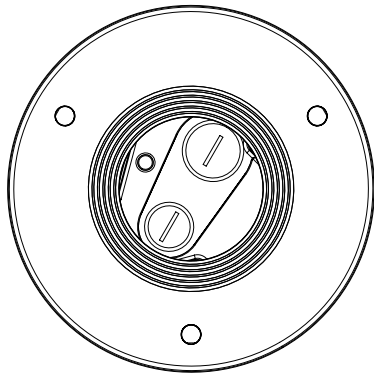
## Key Features

- Enclosure: Aluminum / Top cover : Polycarbonate (PC)
- Dimensions : Ø209mm x H115mm (8.23" x 4.53")
- Weight : 1,020g (2.25 lb)
- Color : White
- Universal Housing (Supports various camera models with one housing)
- QR installation guide support

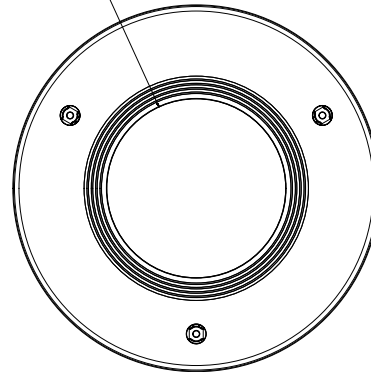
**Mechanical**

<b>Color</b>	White
<b>Material</b>	Enclosure : Aluminum Top cover : Polycarbonate(PC)
<b>RAL code</b>	RAL9003
<b>Product dimensions / weight</b>	Ø209 x 115mm (Ø8.23x4.53") / 1020g (2.25lb)
<b>Tile thickness</b>	5~70mm
<b>Conduit hole</b>	19.1mm(3/4") (M25) 12.7mm(1/2") (M20)
<b>Supported products</b>	QNV-8030R/8020R/8010R/7030R/7020R/7010R/6032R/6022R/6012R LNV-6030R/6020R/6010R  ※ For further compatible models, please visit our website or use Toolbox

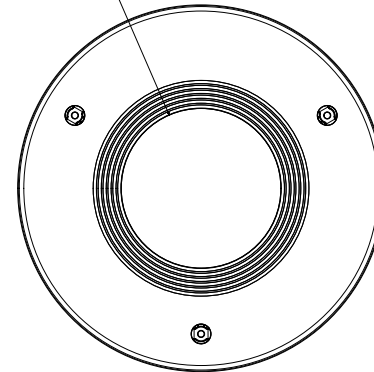
- The latest product information / specification can be found at [hanwha-security.com](http://hanwha-security.com)
- Design and specifications are subject to change without notice.
- Wisenet is the proprietary brand of Hanwha Techwin, formerly known as Samsung Techwin.



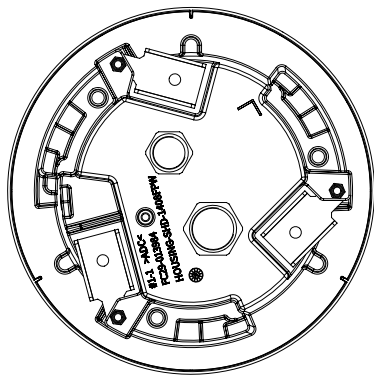
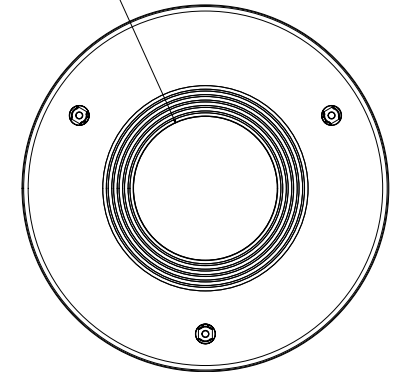
Ø 101.9 [4.01]



Ø 90.9 [3.58]



Ø 81.9 [3.23]



3	파생 MODEL2	
2	파생 MODEL1	
1	SHD-1408FPW	'21.02.05
No.	MODEL NAME	DATE
Unit:mm[inch]		SCALE:1/1
Hanwha Techwin		