

Blackjack[®] TOWER[™]

Servers Powered by DW Spectrum[®] IPVMS

Full-size servers

DW-BJT71xxT/LX



NDAA/TAA
COMPLIANT PRODUCTS

20-70TB

20-70TB Storage



600Mbps Throughput



Windows 10 & Linux Ubuntu OS



9th Gen. Intel Processor



Hot-Swappable HDD

5 YEAR

Limited Warranty

Summary

Blackjack[®] Tower[™] mid-size servers are reliable and high-performance solutions for recording multiple IP cameras of any resolution at up to 600Mbps throughput. The servers are UL-listed and NDAA/TAA compliant and include Windows 10[®] or Linux[®] Ubuntu[®] OS on a separate SSD. Hardware features include a 9th generation Intel[®] Core[™] i7 processor, 16GB RAM, dual network cards and local output for system configuration. The servers come preloaded with DW Spectrum[®] IPVMS and four complimentary recording licenses, provide up to 70TB internal storage, hot-swappable drives, are ONVIF conformant and come with a 5 year limited warranty.

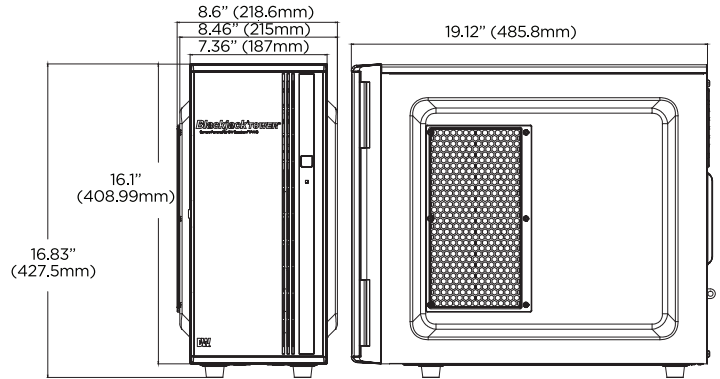
Features

- Supports all ONVIF conformant IP cameras
- Up to 70TB internal storage (see models on next page)
- Hot-swappable HDDs
- OS on SSD
- Record and manage single- and multi-sensor IP cameras of any resolution up to 600Mbps throughput
- 1x true HD, 1x DVI, 1x DisplayPort for local configuration
- Dual network ports
- Windows 10[®] and Ubuntu[®] Linux[®] OS options
- Hosting DW Spectrum[®] for setup, configuration and recording
- One-time recording license charge, fully transferable between cameras and encoders
- One (1) 4-channel license included (DW-SPECTRUMLSC004)
- No annual maintenance fees
- Simple enterprise scalability
- Auto device discovery
- Dual-stream recording
- USB mouse and keyboard included
- Designed, assembled and tested in the U.S.A.
- UL Listed
- NDAA/TAA compliant
- 5 year limited warranty



Dimensions

Unit: Inch (mm)



Specifications



Included IP licenses		4
Form factor		Full-size tower
Operating system	Windows [®] 10	DW-BJT71xxT
	Linux Ubuntu [®]	DW-BJT71xxTLX
	OS on SSD	240GB SSD
CPU		9th Gen Intel [®] Core [™] i7 processor
Memory		16GB
Ethernet port		2x 1G Ethernet
System	Maximum video storage	600Mbps
	Maximum storage drives	7 x 3.5 SATA HDD, hot-swappable
Storage	Maximum storage	Maximum 70TB
	RAID options	---
	USB interface	Yes
Video	Outputs	1x true HD, 1x DVI, 1x DisplayPort, for system configuration. Maximum 1 display output at a time.
	Video card	On-board Intel Graphics
Pre-loaded VMS software		DW Spectrum [®] IPVMS
Remote clients		Cross-platform - Windows [®] , Linux Ubuntu [®] and Mac [®]
Mobile apps		iOS [®] and Android [®]
Keyboard and mouse		Included
Power supply		500W**
Operating temperature and humidity		41°F-104°F (5°C-40°C)
Operating humidity		20-90% RH
Dimension (WxDxH)		8.6" x 19.12" x 16.83" (218.6 x 485.8 x 427.5 mm)
Other certification		UL, FCC and CE
Warranty		5 year limited

Designed and Commissioned in the U.S.A.

* Available at initial order only
** A UPS is recommended

Accessories



DW-BJMTC5204T,
DW-BJMTC7404T
Blackjack[®] Monitoring Workstation



DW-BJC2P
Blackjack[®] C2P Workstation

Available models continued on page 2.

☎ : 866.446.3595

✉ : sales@digital-watchdog.com

🌐 : www.digital-watchdog.com



Available Models

Windows 10[®]

- DW-BJT7120T - 20TB storage
- DW-BJT7130T - 30TB storage
- DW-BJT7140T - 40TB storage
- DW-BJT7150T - 50TB storage
- DW-BJT7160T - 60TB storage
- DW-BJT7170T - 70TB storage

Ubuntu[®] Linux[®]

- DW-BJT7120TLX - 20TB storage
- DW-BJT7130TLX - 30TB storage
- DW-BJT7140TLX - 40TB storage
- DW-BJT7150TLX - 50TB storage
- DW-BJT7160TLX - 60TB storage
- DW-BJT7170TLX - 70TB storage