

Tensioned Cosmopolitan Series

The Tensioned Cosmopolitan® are ceiling or wall mounted electric screens.

Features

- Single-piece steel case - with integrated mounting holes in the end caps on sizes up to 12' wide
- Two-piece aluminum case - with adjustable mounting brackets for wall or ceiling mount installation on sizes over 12' wide
- Decora-style, three-position wall switch
- Available with built-in low voltage control, Video Projector Interface (screen trigger) or silent motor
- Standard white powder-coated housing finish; available in black upon request
- Smooth Roll Technology to keep your screen perfectly flat
- TruGuide™ Electric Screen Tensioning System provides optimal viewing surface smoothness
- Standard black backing retains projected brightness on front projection surfaces
- Seamless surfaces in all models

Optional Accessories

- Floating Mounting Bracket for Cosmopolitan and Tensioned Cosmopolitan (for 12' W and under)
- Ceiling Trim Kit for Cosmopolitan Electrol (for 12' W and under)
- Single Motor Low Voltage Control System
- Radio Frequency Wireless Remote - Single Motor LVC
- Infrared Wireless Remote - Single Motor LVC
- SCB-100
- Video Projector Interface
- Key Operated, 110 Volt Switch
- Locking Switch Cover Plate
- Dual Motor Low Voltage Control System
- Radio Frequency Wireless Remote - Dual Motor LVC
- Infrared Wireless Remote - Dual Motor LVC
- Replacement Wall Switch
- Smart Low Voltage Wall Switch



16:9 HDTV Format

Viewing Area (H x W)		Nominal Diagonal	
in.	cm	in.	cm
45" x 80"	114 x 203	92"	234
52" x 92"	132 x 234	106"	269
54" x 96"	137 x 244	110"	279
58" x 104"	147 x 264	119"	302
65" x 116"	165 x 295	133"	338
78" x 139"	198 x 353	159"	404
92" x 164"	234 x 417	188"	478
108" x 192"	274 x 488	220"	559

16:10 Wide Format

Viewing Area (H x W)		Nominal Diagonal	
in.	cm	in.	cm
50" x 80"	127 x 203	94"	239
57½" x 92"	146 x 234	109"	277
60" x 96"	152 x 244	113"	287
69" x 110"	175 x 279	130"	330
72½" x 116"	184 x 295	137"	348
100" x 160"	254 x 406	189"	480
110" x 176"	279 x 447	208"	528
120" x 192"	305 x 488	226"	574

4:3 Video Format

Viewing Area (H x W)		Nominal Diagonal	
in.	cm	in.	cm
43" x 57"	109 x 145	72"	183
50" x 67"	127 x 170	84"	213
60" x 80"	152 x 203	100"	254
69" x 92"	175 x 234	120"	305
87" x 116"	221 x 295	150"	381
108" x 144"	274 x 366	180"	457
120" x 160"	305 x 406	200"	508
126" x 168"	320 x 427	210"	533
132" x 176"	335 x 447	220"	559
144" x 192"	366 x 488	240"	610

Available with the Following Screen Surfaces

Front Projection



Parallax Stratos 1.0
Horizontal Half Angle: 30°
Vertical Half Angle: 30°
Gain: 1.0



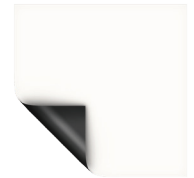
HD Progressive 0.9
Half Angle: 85° Gain: 0.9



HD Progressive 1.1
Half Angle: 85° Gain: 1.1



HD Progressive 1.1 Contrast
Half Angle: 60° Gain: 1.1



HD Progressive 1.3
Half Angle: 75° Gain: 1.3

Rear Projection



Da-Mat
Half Angle: 60° Gain: 1.0



Dual Vision
Half Angle: 65° Gain: 0.9



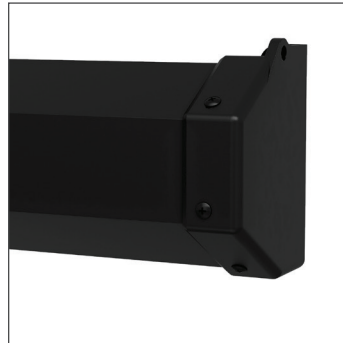
Da-Tex
Half Angle: 30° Gain: 1.3

NOTE: HD Progressive and Parallax® Stratos screen surfaces available on Tensioned Cosmopolitan (over 12' W). See the Tensioned Contour Series for smaller sizes featuring these surfaces.

Product Images



White Case (Standard Profile)



Black Case Profile



White Case Profile (Standard) -
Sizes over 12' W



Black Case Profile - Sizes over 12' W



FOR YOUR IMAGE | legrandav.com

USA P 866.977.3901 E av.da-lite.support@legrand.com
CANADA P 877.345.4329 E av.da-lite.support@legrand.com
EMEA P +31 495 580 840 E av.emea.sales@legrand.com
APAC P +852 2145 4099 E av.asia.sales@legrand.com

©2020 Legrand AV Inc. 200029 3/20 Da-Lite is a registered trademark of Legrand AV Inc. All other brand names or marks are used for identification purposes and are trademarks of their respective owners. All patents are protected under existing designations. Other patents pending.



COMMERCIAL BRANDS

C2G | Chief | Da-Lite | Luxul | Middle Atlantic | Projecta | Vaddio